

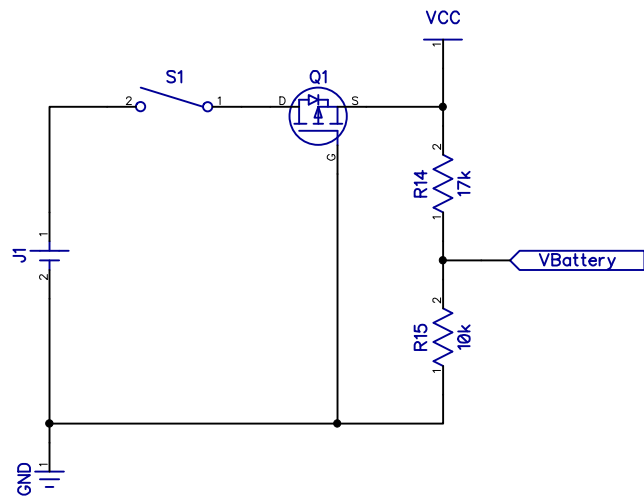
2

1

REVISIONS				
ZONE	REV	DESCRIPTION	DATE	APPROVED

B

B



A

A

2

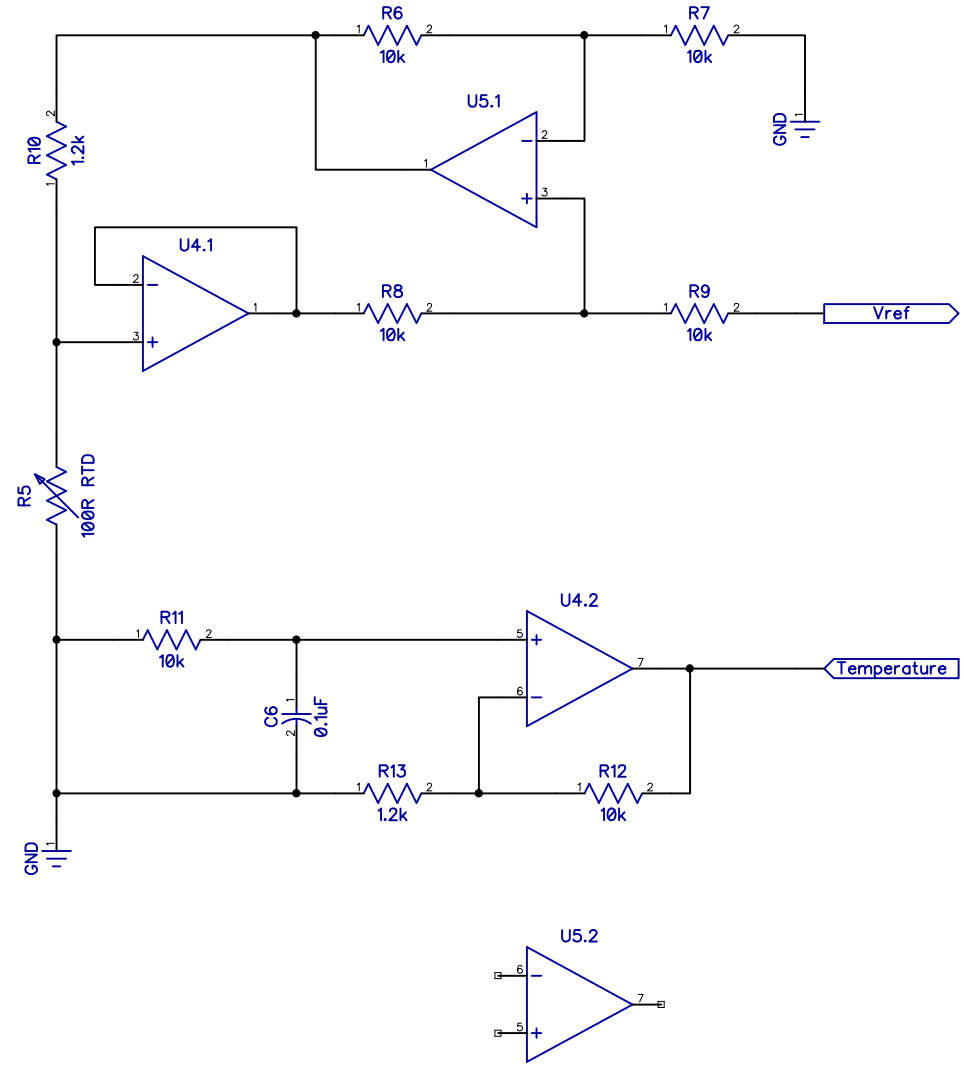
1

		SIZE	FSCM NO.	DWG NO.	REV
		SCALE			Supply

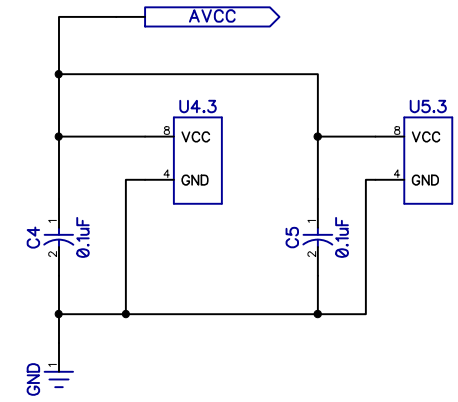
2

1

REVISIONS				
ZONE	REV	DESCRIPTION	DATE	APPROVED



Extra opamp for lead compensation if RTD is external



B

B

A

A

2

1

	SIZE	FSCM NO.	DWG NO.	REV
	SCALE		Temperature	

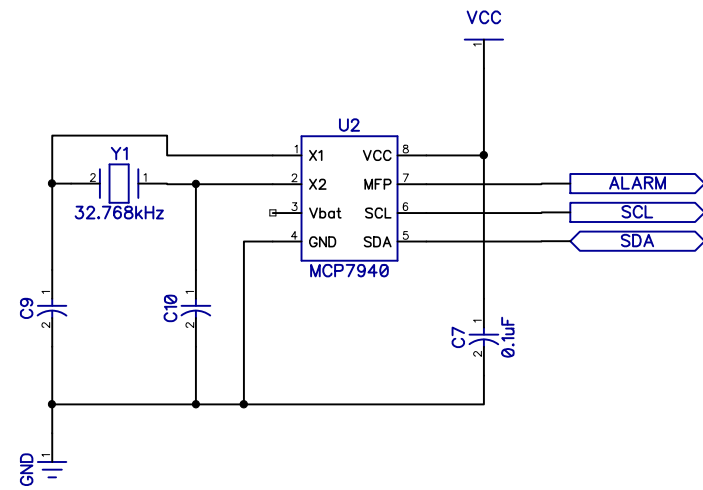
2

1

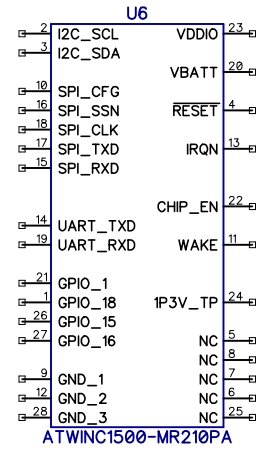
REVISIONS				
ZONE	REV	DESCRIPTION	DATE	APPROVED

B

B

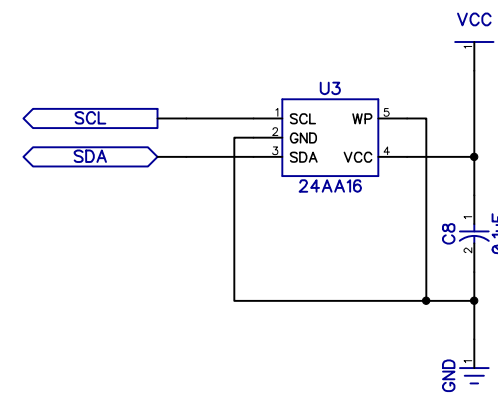


Need to calculate load caps



A

A



	SIZE	FSCM NO.	DWG NO.	REV
	SCALE		Peripherals	

2

1

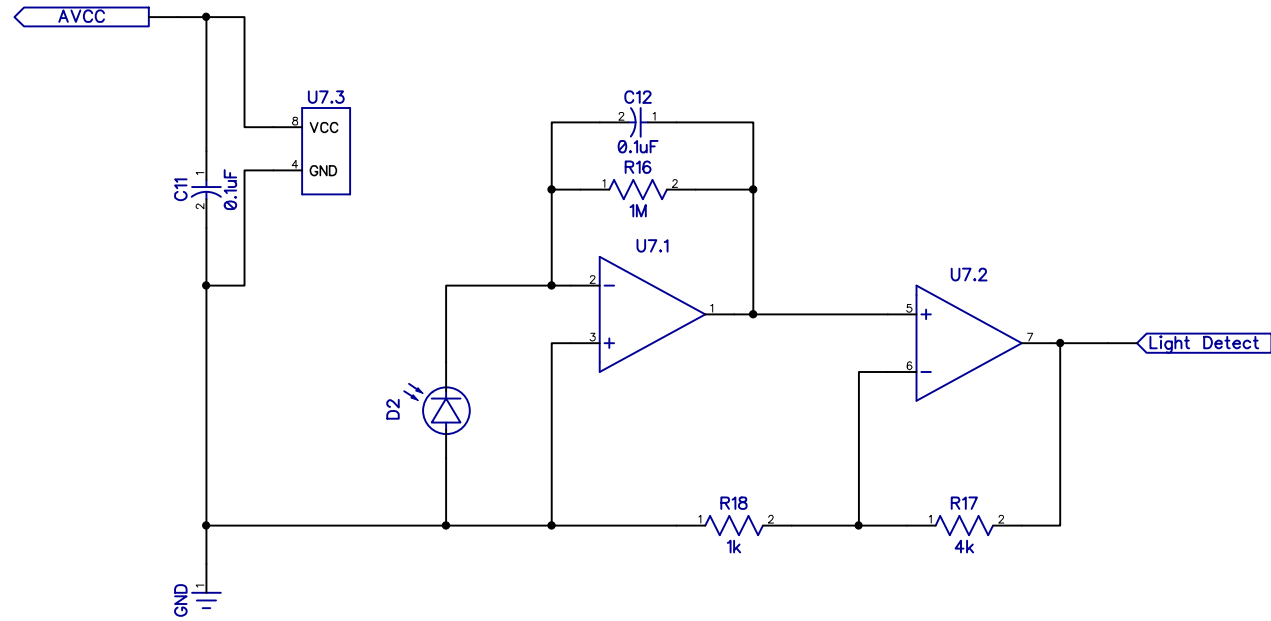
2

1

REVISIONS				
ZONE	REV	DESCRIPTION	DATE	APPROVED

B

B

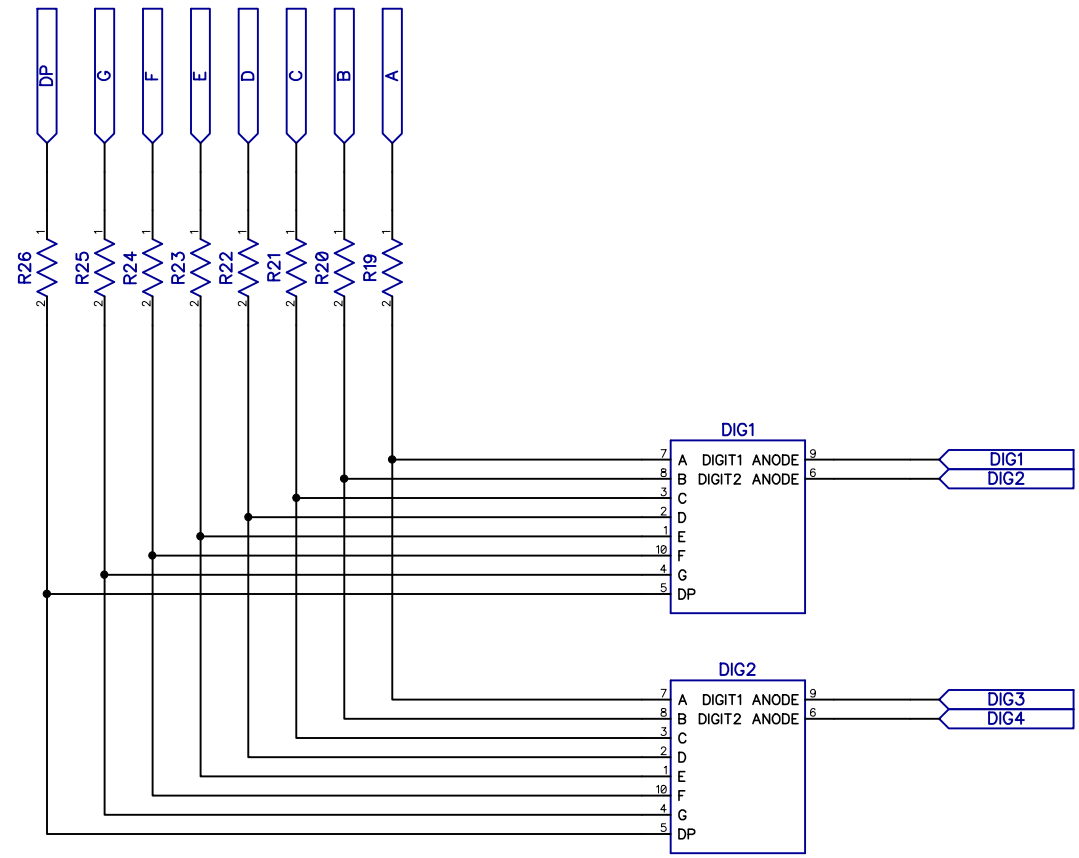


A

A

2

1



	SIZE	FSCM NO.	DWG NO.
	SCALE		Display

REV

SIZE

FSCM NO.

DWG NO.

SCALE

Display