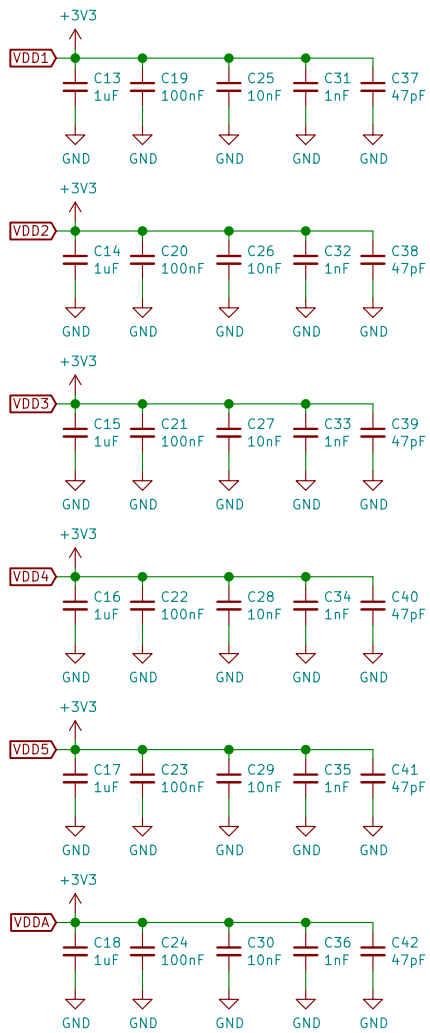


Sheet: /		Date: lun. 30 mars 2015	
File: ARMduino_X.sch		Rev:	
Size: A4	KiCad E.D.A. eeschema (5.1.2)-1		Id: 1/2



Sheet: /Decoupling\_Caps/  
 File: file5D1C12DD.sch

**Title:**

Size: A4

Date:

KiCad E.D.A. eeschema (5.1.2) - 1

**Rev:**

Id: 2/2