

1×2 Optical Switch

◆ Features

- Low Insertion Loss
- Wide Wavelength Range
- Low Crosstalk
- High Stability, High Reliability
- Epoxy-free on Optical Path
- Latching and Non-latching

◆ Application

- Metropolitan Area Network
- R&D in Laboratory
- System Monitoring
- Configurable OADM



◆ Performance

Parameters		OSW-1×2	
Wavelength Range	nm	650 ~ 1310	1260 ~ 1670
Testing Wavelength	nm	650/780/850/980/1064/1310	1310/1490/1550/1625/1650
Insertion Loss	dB	Typ:0.6,Max:1.0	Typ:0.5 ,Max:0.8
Return Loss	dB	≥30	≥50
Crosstalk	dB	≥35	≥55
PDL	dB	≤0.05	
WDL	dB	≤0.25	
TDL	dB	≤0.25	
Repeatability	dB	≤±0.02	
Power supply	v	3.0 or 5.0	
Lifetime	Cycle	≥10 ⁷	
Switch Time	ms	≤8	
Transmission Power	mW	≤500	
Operation Temperature	℃	-40 ~ +85	
Storage Temperature	℃	-40 ~ +85	
Weight	g	16	
Dimension	mm	(L)27×(W)12.6×(H)8.5(±0.2)	

◆ Route States



1×2 Optical Switch

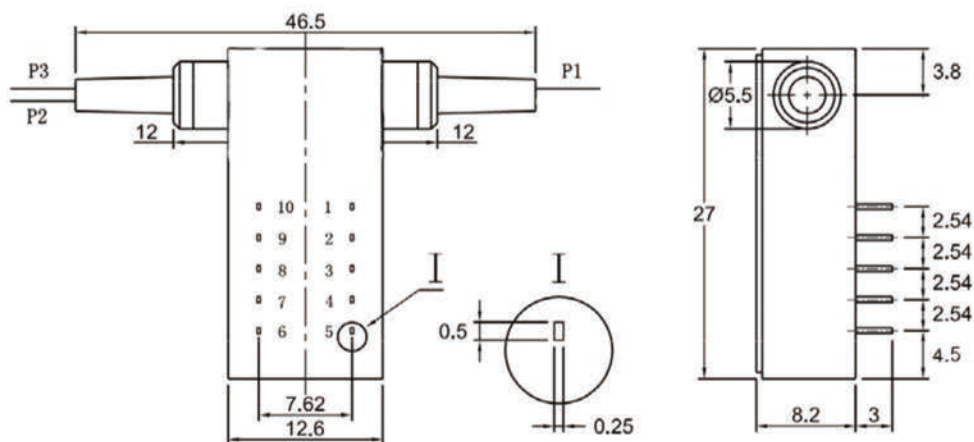
◆ Pins

Optical Path		Electric Drive				Sensor Status	
1×2		1	5	6	10	3 - 4,7 - 8	2 - 3,8 - 9
Latching	P1---P2	N/A	N/A	GND	+5V	OPEN	CLOSE
	P1---P3	+5V	GND	N/A	N/A	CLOSE	OPEN
Non-Latching	P1---P2	N/A	N/A	N/A	N/A	OPEN	CLOSE
	P1---P3	+5V	N/A	N/A	GND	CLOSE	OPEN

◆ Electrical parameters

	Voltage	current	Resistor
5V Latching	4.5~5.5	36~44mA	125Ω
5V Non-Latching	4.5~5.5	26~32mA	175Ω
3V Latching	2.7~3.3	54~66mA	50Ω
3V Non-Latching	2.7~3.3	39~47mA	70Ω

◆ Dimensions



◆ Ordering Information : OSW - 1×2 - A - B - C - D - E - F - G

A	B	C	D	E	F	G
Mode	Wavelength	Voltage	Control Model	Fiber Diameter	Fiber Length	Connector
SM:9/125um M5: 50/125um M6: 62.5/125um	85: 850nm 13: 1310nm 14: 1490nm 15: 1550nm 162: 1625nm 165: 1650nm 13/15:1310/1550nm	3: 3V 5: 5V	L: Latching N:Non-Latching	25:250um 90:900um 20:2.0mm 30: 3.0mm	05:0.5m 10:1.0m 15:1.5m	OO:None FP: FC/PC FA: FC/APC SP: SC/PC SA: SC/APC LP: LC/PC LA: LC/APC