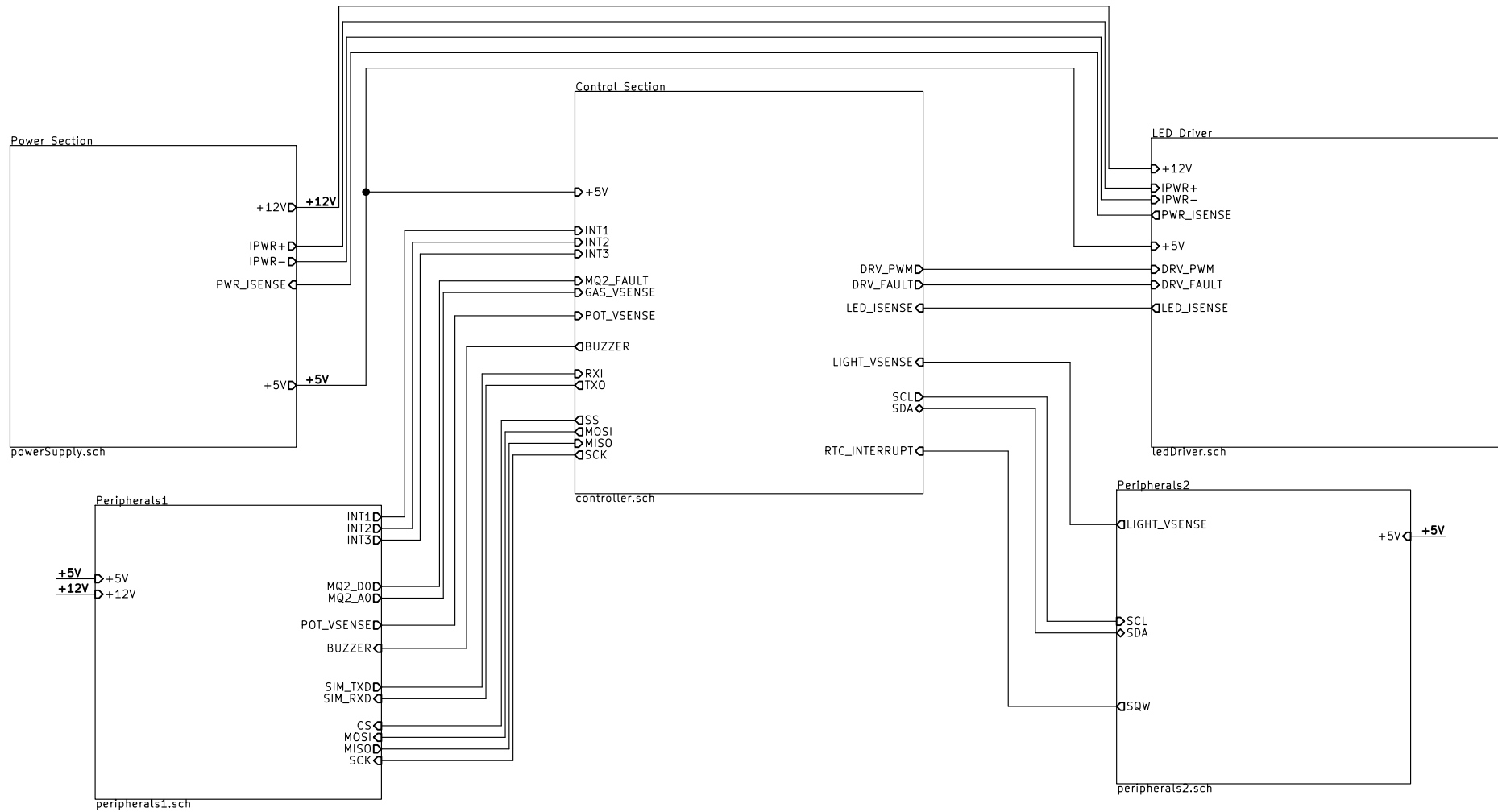


# 2 CH LED DRIVER WITH REMOTE MONITORING



Mark Angelo Tarvina

Sheet: /  
File: 2CHLEDDriver.sch

**Title: 2Channel LED Driver**

Size: A4 Date: 2019-05-18

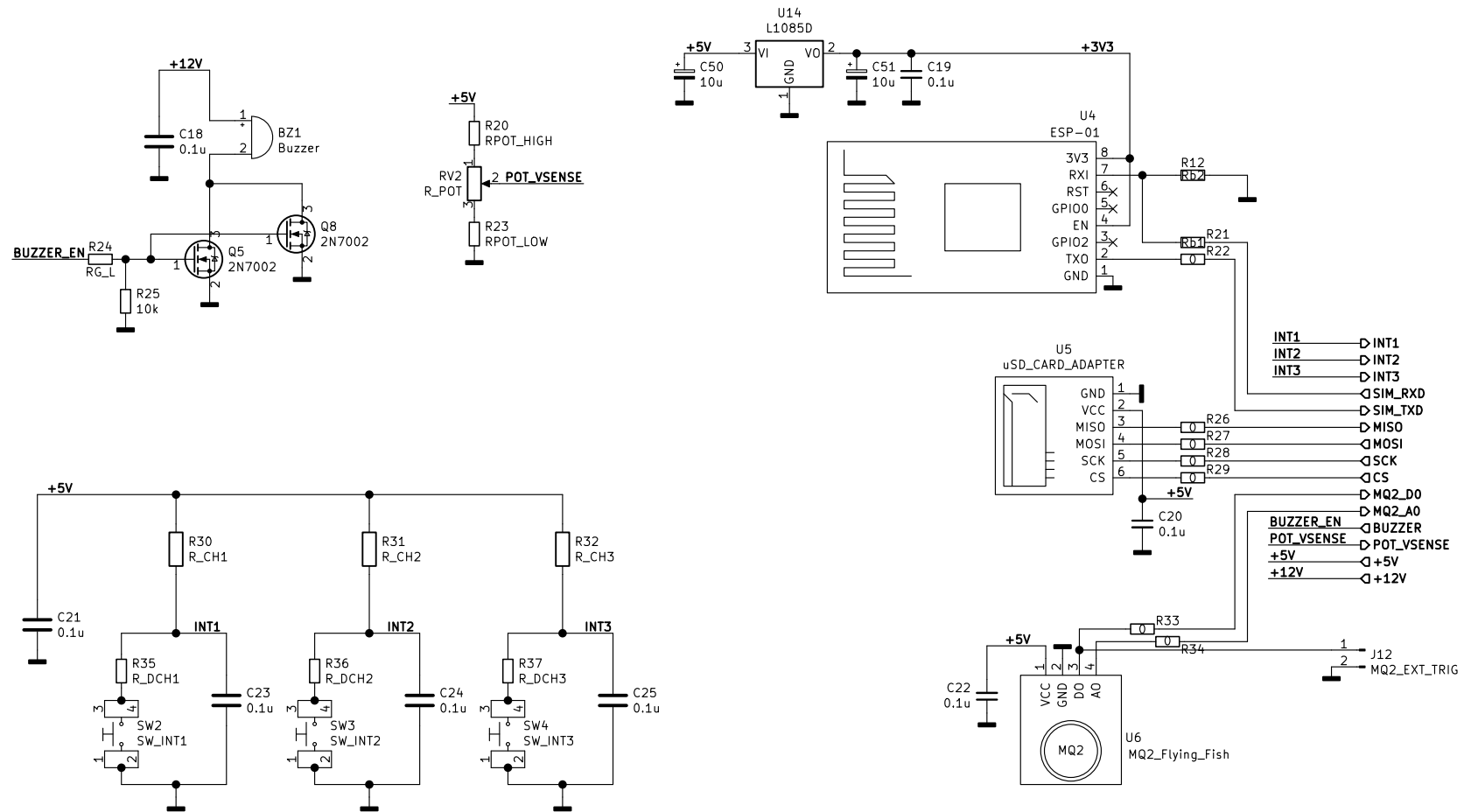
KiCad E.D.A. kicad (5.1.2)-1

Rev: 01

Id: 1/6



# PERIPHERALS 1



Mark Angelo Tarvina

Sheet: /Peripherals1/  
File: peripherals1.sch

**Title: 2Channel LED Driver**

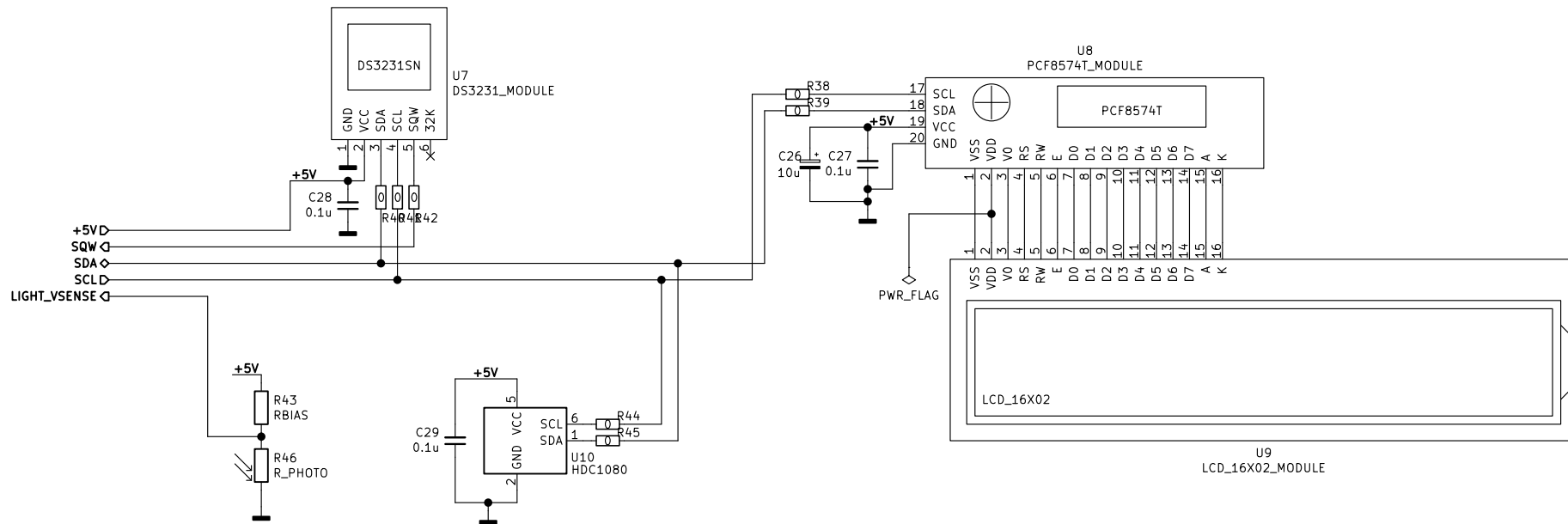
Size: A4 | Date: 2019-05-18

KiCad E.D.A. kicad (5.1.2)-1

Rev: 01

Id: 3/6

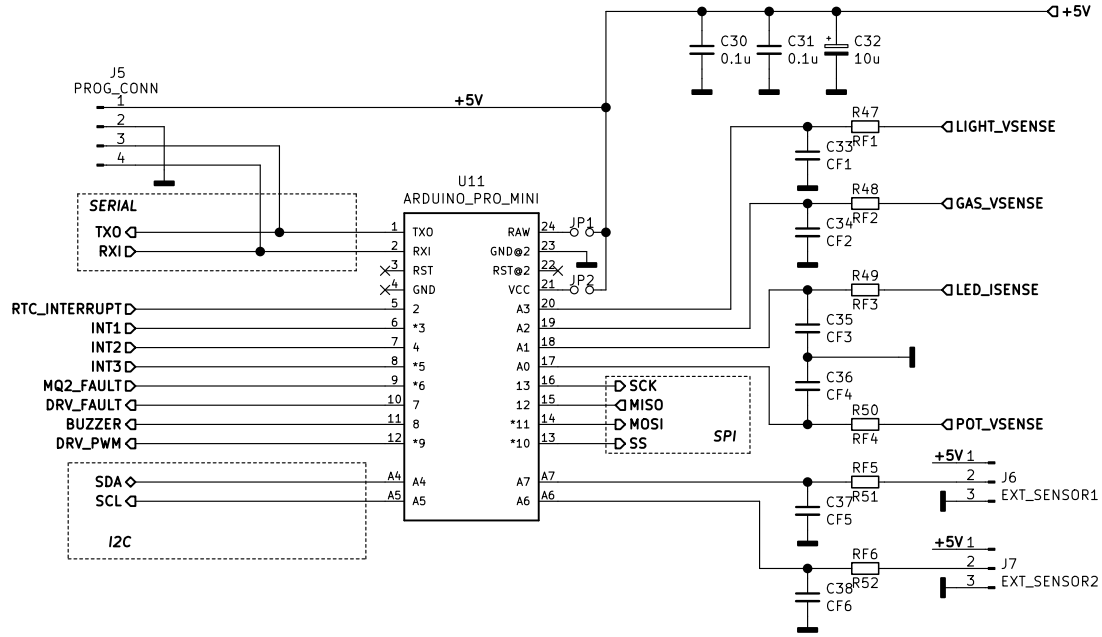
# PERIPHERALS 2



**NOTE:**  
 1. HDC1080 should be placed far away from Power Section  
 2. SDA/SCL bus lines should have a slightly wider trace width

<b>Mark Angelo Tarvina</b>	
Sheet: /Peripherals2/ File: peripherals2.sch	
<b>Title: 2Channel LED Driver</b>	
Size: A4	Date: 2019-05-18
KiCad E.D.A. kicad (5.1.2)-1	Rev: 01
	Id: 4/6

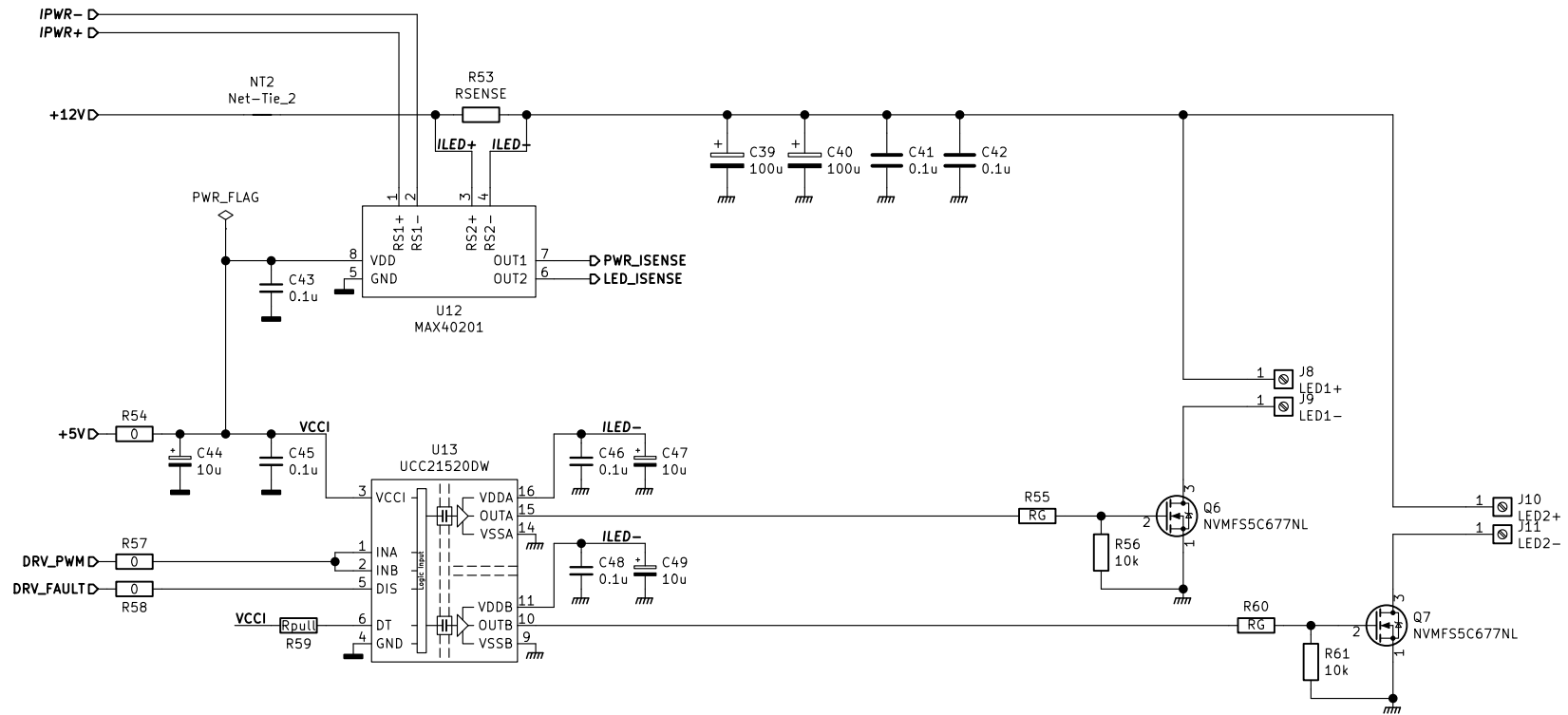
# CONTROL SECTION



Notes:  
 1. Put all capacitors as close as possible to their corresponding pins

<b>Mark Angelo Tarvina</b>	
Sheet: /Control Section/ File: controller.sch	
<b>Title: 2Channel LED Driver</b>	
Size: A4	Date: 2019-05-18
KiCad E.D.A. kicad (5.1.2)-1	Rev: 01 Id: 5/6

# LED DRIVER POWER STAGE



Mark Angelo Tarvina

Sheet: /LED Driver/  
File: ledDriver.sch

**Title: 2Channel LED Driver**

Size: A4 Date: 2019-05-18

KiCad E.D.A. kicad (5.1.2)-1

Rev: 01

Id: 6/6