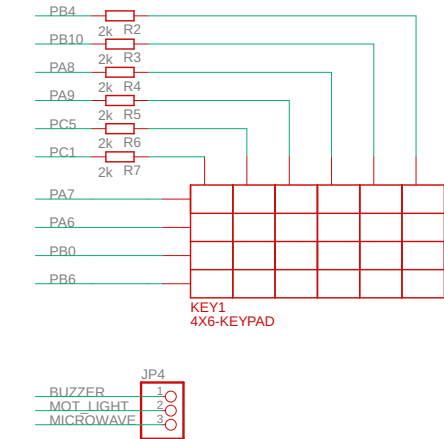
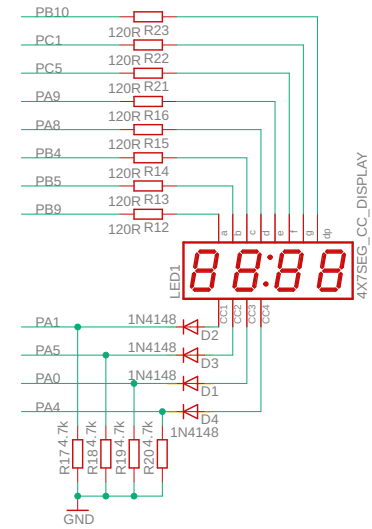
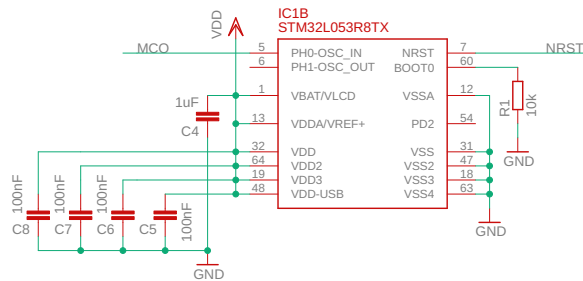
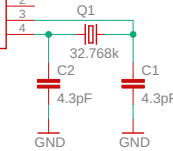
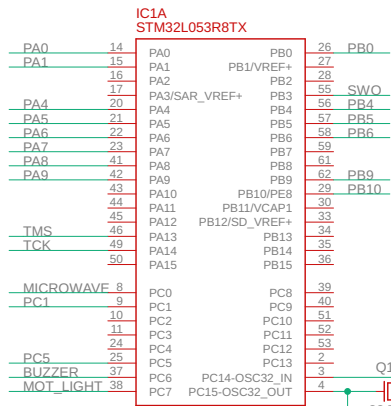


JP2 is a door switch.  
When door is close switch  
is close, door open switch  
is open



IC1 (ORIGINAL IC)	STM32	FUNCTION
PIN1	PA6	KEY_L2
PIN2	PA7	KEY_L1
PIN3	NOT USED	NC_RELAY
PIN4	PC0	MICROWAVE
PIN5	PC7	MOTOR&LIGHT
PIN6	NOT USED	RESET
PIN7	GND	GND
PIN8	NOT USED	NC
PIN9	PA4	DISP_CC4
PIN10	PA1	DISP_CC1
PIN11	PA0	DISP_CC3
PIN12	PA5	DISP_CC2
PIN13	NOT USED	?????
PIN14	PB9	DISP_A/DOOR
PIN15	PB5	DISP_B
PIN16	PB4	DISP_C/KEY_C6
PIN17	PB10	DISP_DOT/KEY_C5
PIN18	PA8	DISP_D/KEY_C4
PIN19	PA9	DISP_E/KEY_C3
PIN20	PC5	DISP_F/KEY_C2
PIN21	PC1	DISP_G/KEY_C1
PIN22	+5V	+5V
PIN23	NOT USED	CRYSTAL
PIN24	NOT USED	CRYSTAL
PIN25	PC6	BUZZER
PIN26	PB0	KEY_L3
PIN27	PB6	KEY_L4
PIN28	NOT USED	AC_FREQ_IN

TITLE: <b>Microwave</b>	
AUTHOR: <b>GABRIEL D'ESPINDULA</b>	
DATE: <b>4/30/2019 2:42 PM</b>	SHEET: <b>1/1</b>