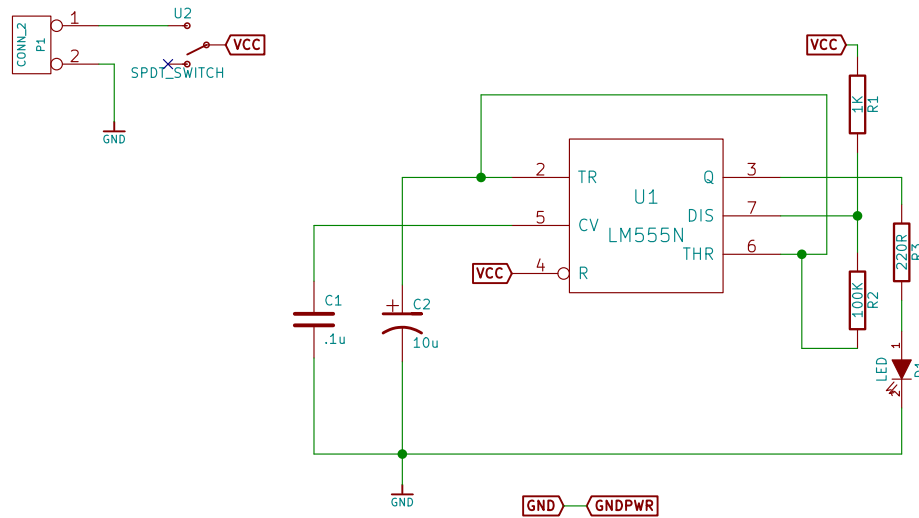


# Simple 555 LED Flasher



[www.ProjectAVR.com](http://www.ProjectAVR.com)  
· DISCOVERING AVR TECHNOLOGY ·

Sheet: /	
File: 555 Flasher v1.00.sch	
<b>Title: Simple 555 LED Flasher</b>	
Size: A4	Date:
KiCad E.D.A. kicad (5.0.0)	Rev: 1.00
	Id: 1/1