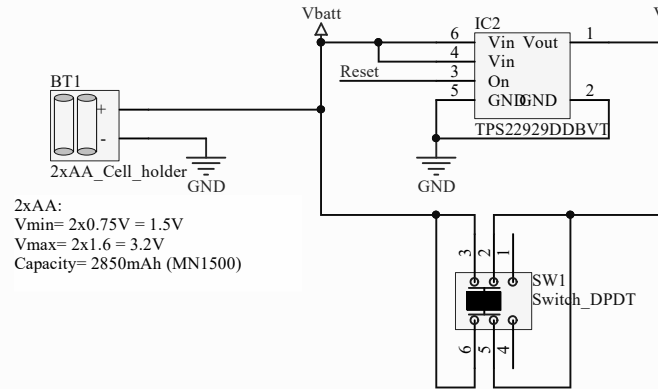
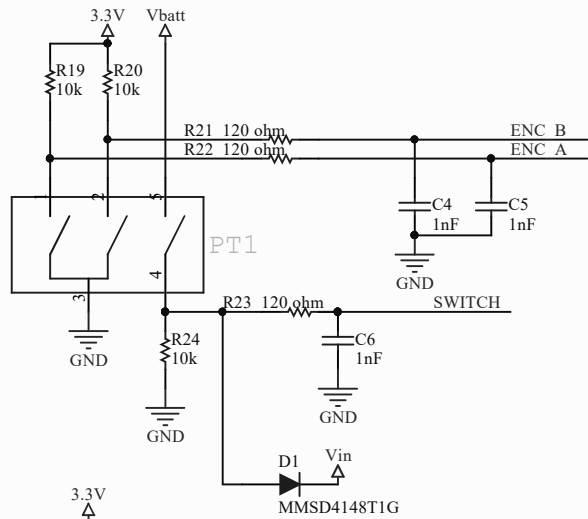
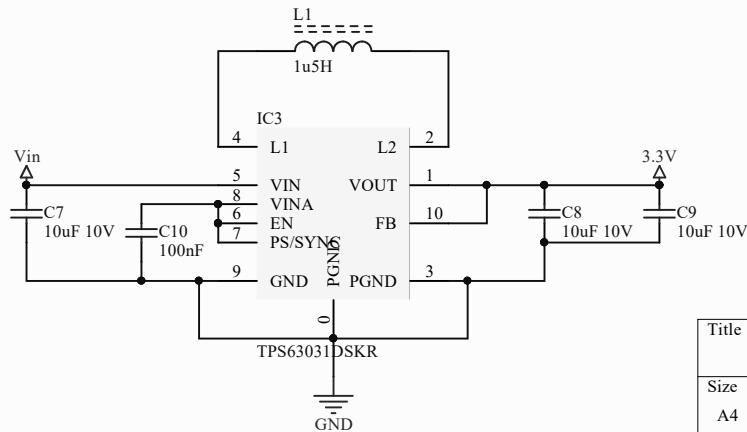
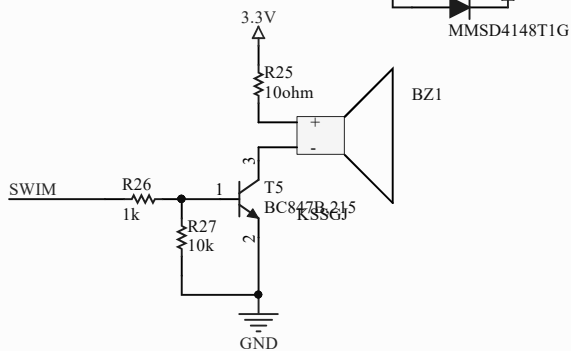
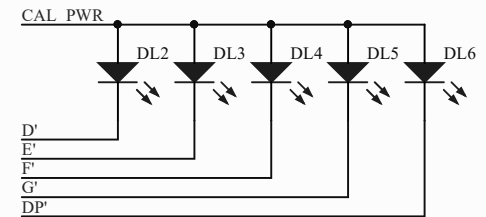


9 segments x 15mA x 3
 digits = 405mA max
 @3.3V --> 1.3365W



2xAA:
 $V_{min} = 2 \times 0.75V = 1.5V$
 $V_{max} = 2 \times 1.6 = 3.2V$
 Capacity = 2850mAh (MN1500)



Cannot open file
 C:\Users\Ab...s\Document
 Logo_Octar
 FIDUCIAL FIDUCIAL

Title		
Size	Number	Revision
A4		
Date:	15/05/2018	Sheet of
File:	C:\Users\...\P012_Malico_V01.SchDoc	Drawn By: