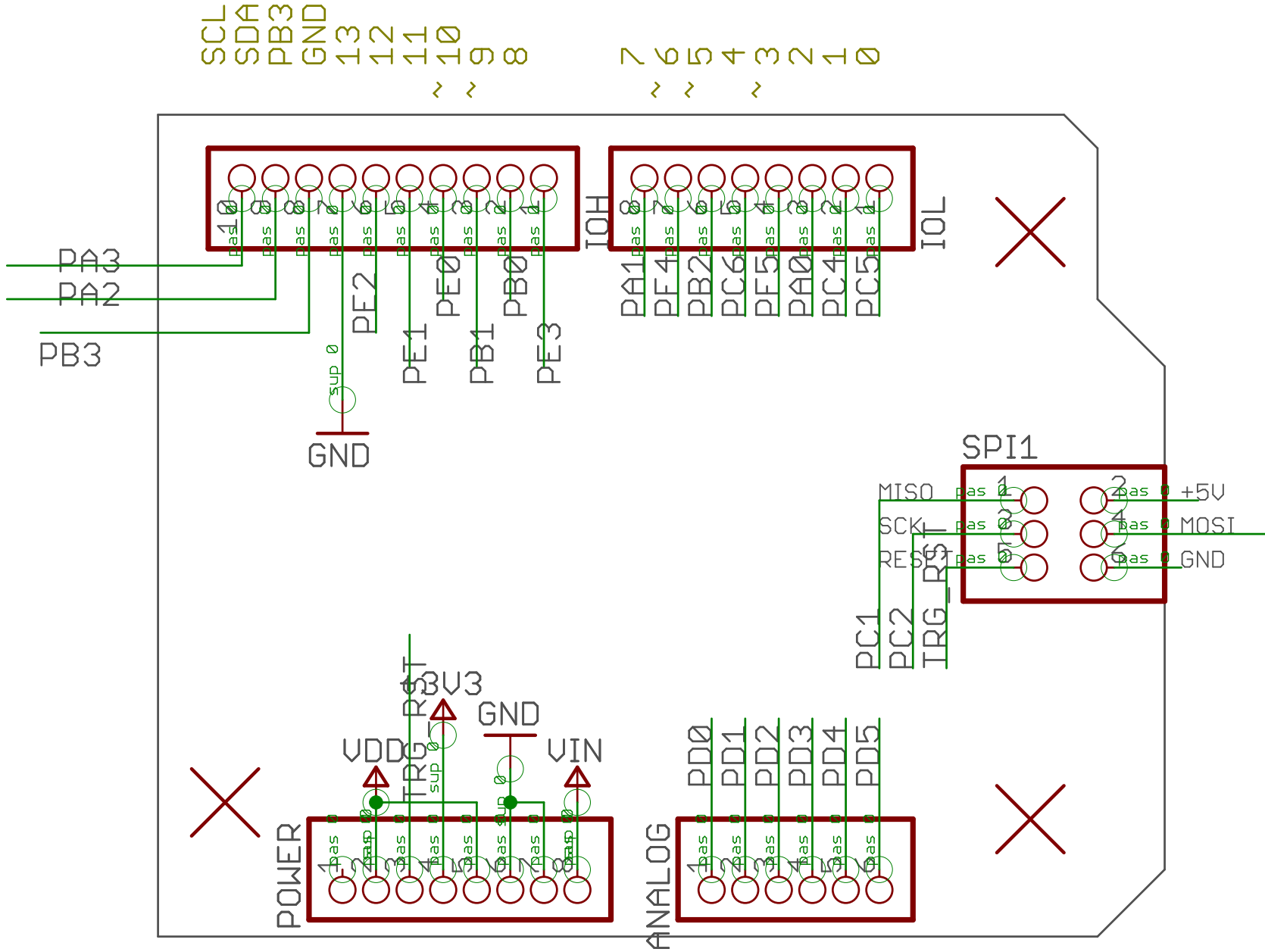
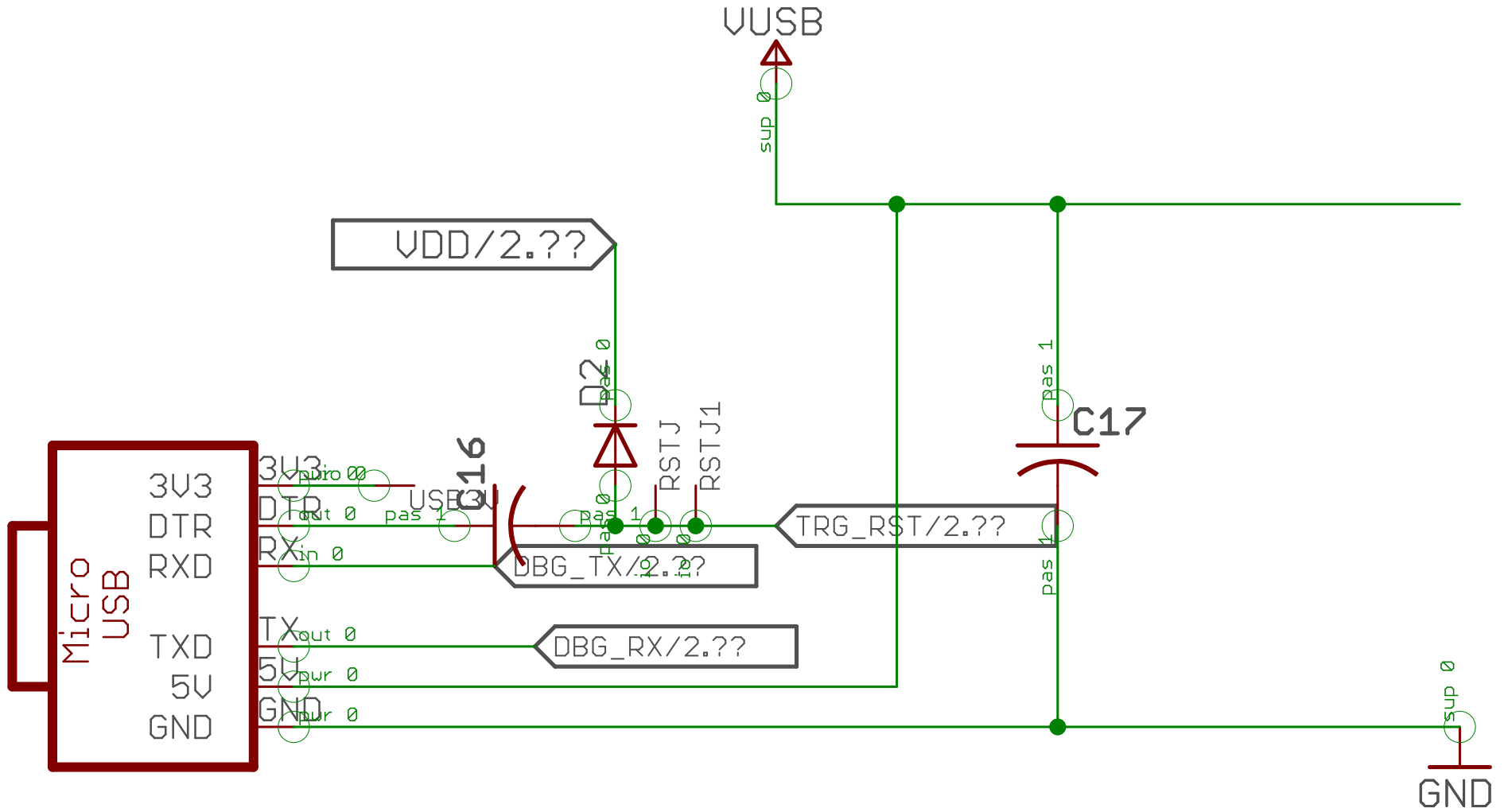


Freeduino 4809

VERSION 0.1







USB Connectivity

