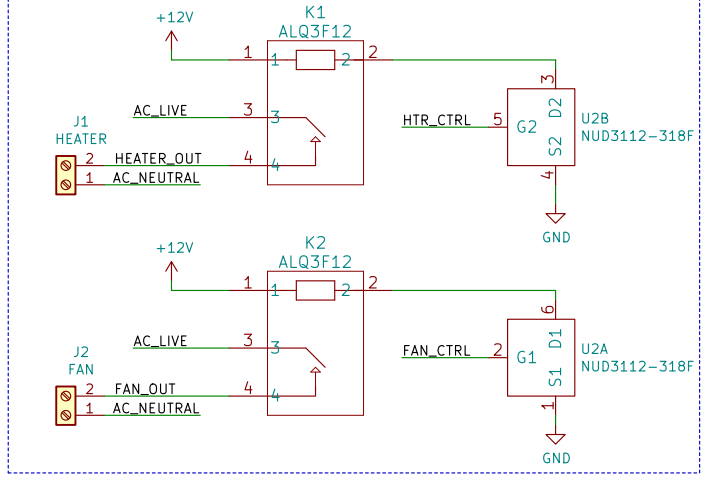
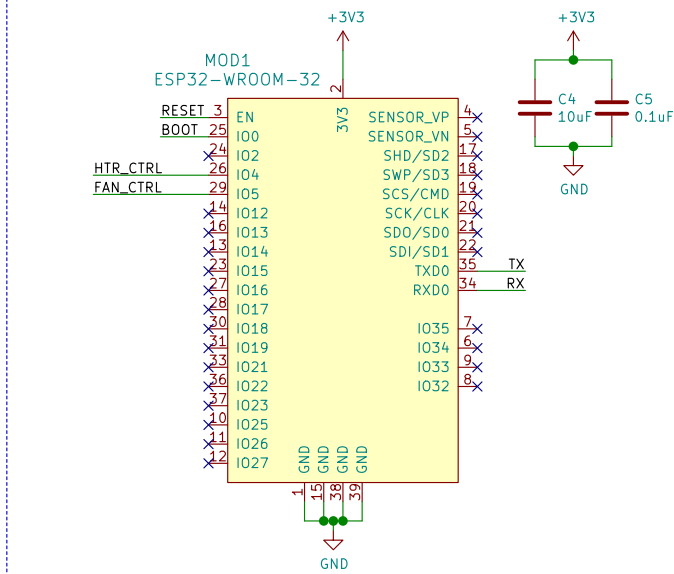


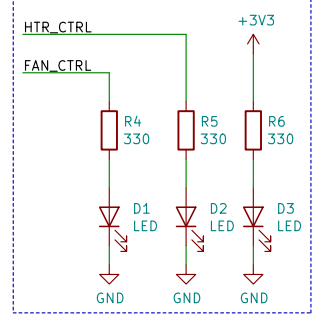
Control Relays



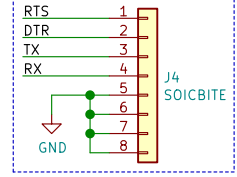
ESP32 Microcontroller



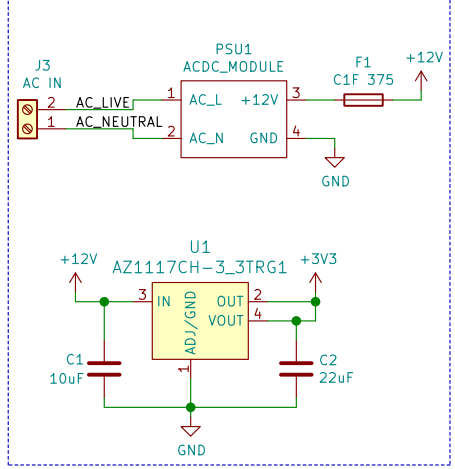
Indicator LEDs



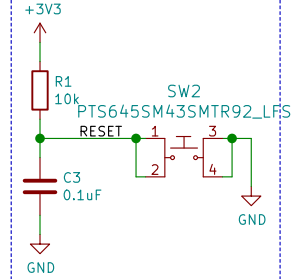
Programming Connector



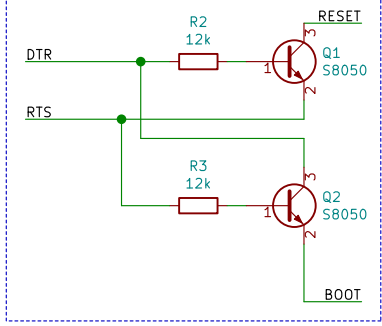
Power Supplies



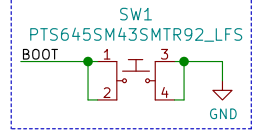
Reset Switch



Auto-Boot/Reset Circuit



Boot Mode Switch



Prevents boot/reset being pulled unless specifically driven by the serial connection.

Note: GPIO0 is pulled up internally, no external pull up required.

Mounting Holes

- MH1 #2x3/16"
- MH2 #2x3/16"
- MH3 #2x3/16"
- MH4 #2x3/16"

mdszy

Sheet: /
File: smart_boot.sch

Title: Smart Boot Warmer Controller

Size: A4	Date: 2019-06-14	Rev: D
KiCad E.D.A. kicad (5.0.0)		Id: 1/1