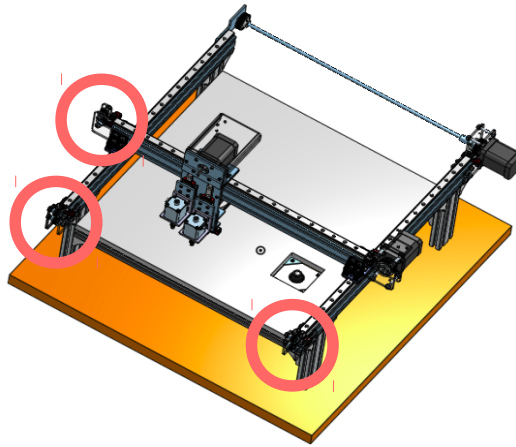


Idler Assembly

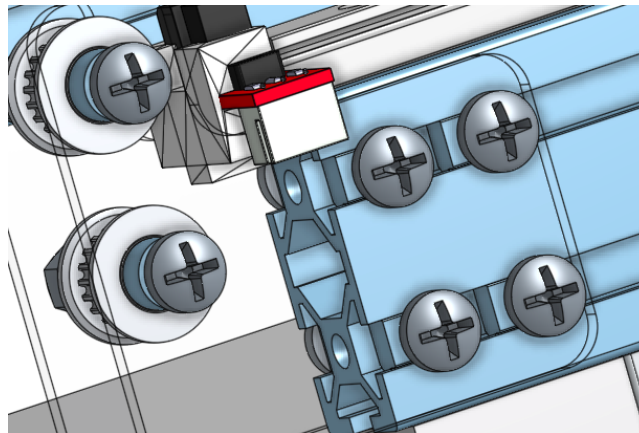
The purpose of the idler assembly is to keep the belt above the end stop sensor assembly and route it back through the aluminum extrusion to the other side where the motor is. It manages the return loop. There are 2 or 3 of these idler assemblies required, depending if the second y axis is driven or not. The positions are shown below in the red circles.

Parts

Pulley Holder.step (Acrylic, wood or aluminum)
20T Idler Pulley 2 per axis
M5 x 8mm pan head machine screw
8 per axis
M5 T nut 8 per axis
M5 x 30mm pan head machine
screw 2 per axis
M5 Nuts 2 per axis
Spacer x 4 per assembly



First attach the Pulley Holder to the channel in the front and on the left side of the x axis with 4 M5 8mm pan head screws and T nuts



T-Nuts in the channel

Next add the 5mm x 30 mm pan head screws with 2 spacers and the 20T idler pulley and the 5mm nut. Spacers could also be an acrylic ring. We made aluminum spacers as an excuse to use our new lathe.

