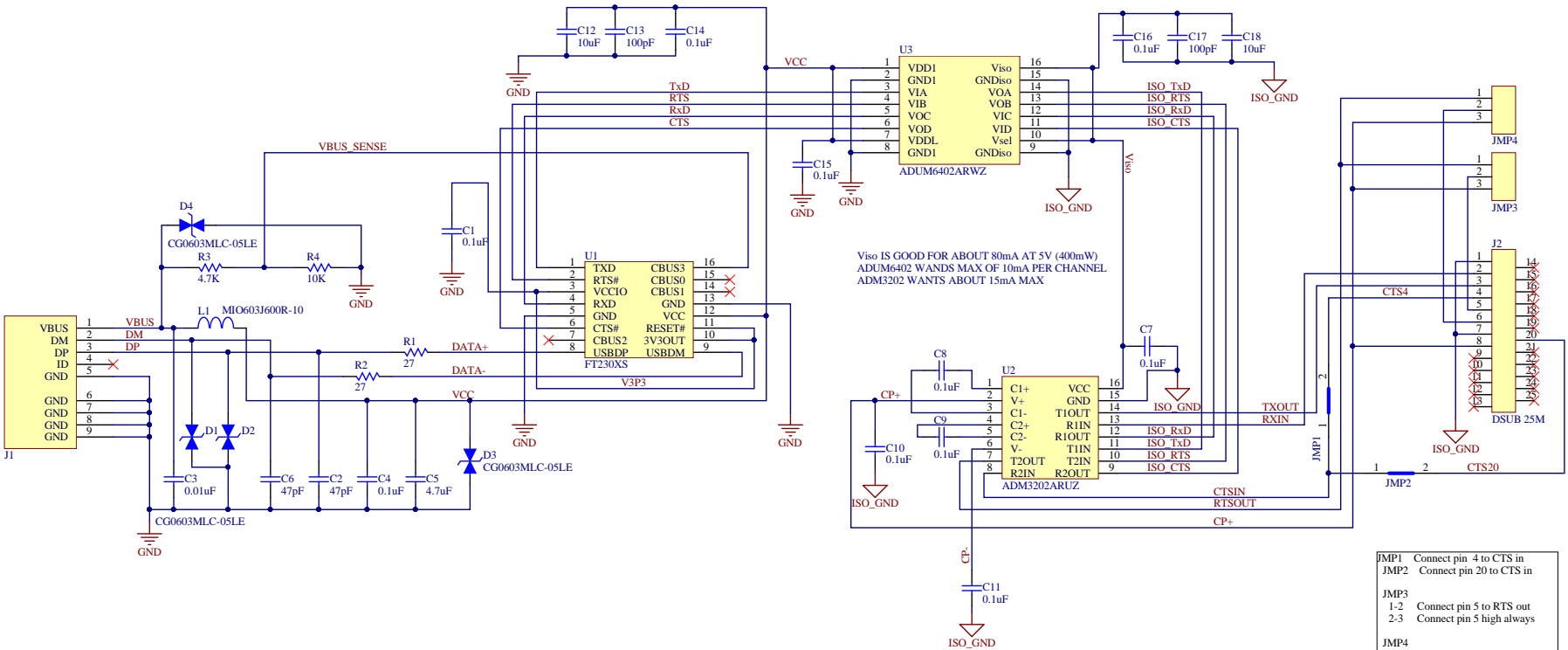


BYPASS CAPS SHOULD BE WITHIN 2MM OF PINS 1,2 AND 15,16



Viso IS GOOD FOR ABOUT 80mA AT 5V (400mW)  
 ADUM6402 WANTS MAX OF 10mA PER CHANNEL  
 ADM3202 WANTS ABOUT 15mA MAX

- JMP1 Connect pin 4 to CTS in
- JMP2 Connect pin 20 to CTS in
- JMP3
  - 1-2 Connect pin 5 to RTS out
  - 2-3 Connect pin 5 high always
- JMP4
  - 1-2 Connect pin 6 to RTS out
  - 2-3 Connect pin 6 high always



Title		
<b>USB TO RS232 ISOLATED, DCE</b>		
Size	Number	Revision
B		<b>1.0</b>
Date:	4/15/2019	Sheet 1 of 1
File:	C:\Bob\USB_RS232_ISOLATED_DCE	By: Bob Harbour