

- Ground
- Power
- LED
- Internal Pin
- SWD Pin
- Digital Pin
- Analog Pin
- Other Pin
- Microcontroller's Port
- Default

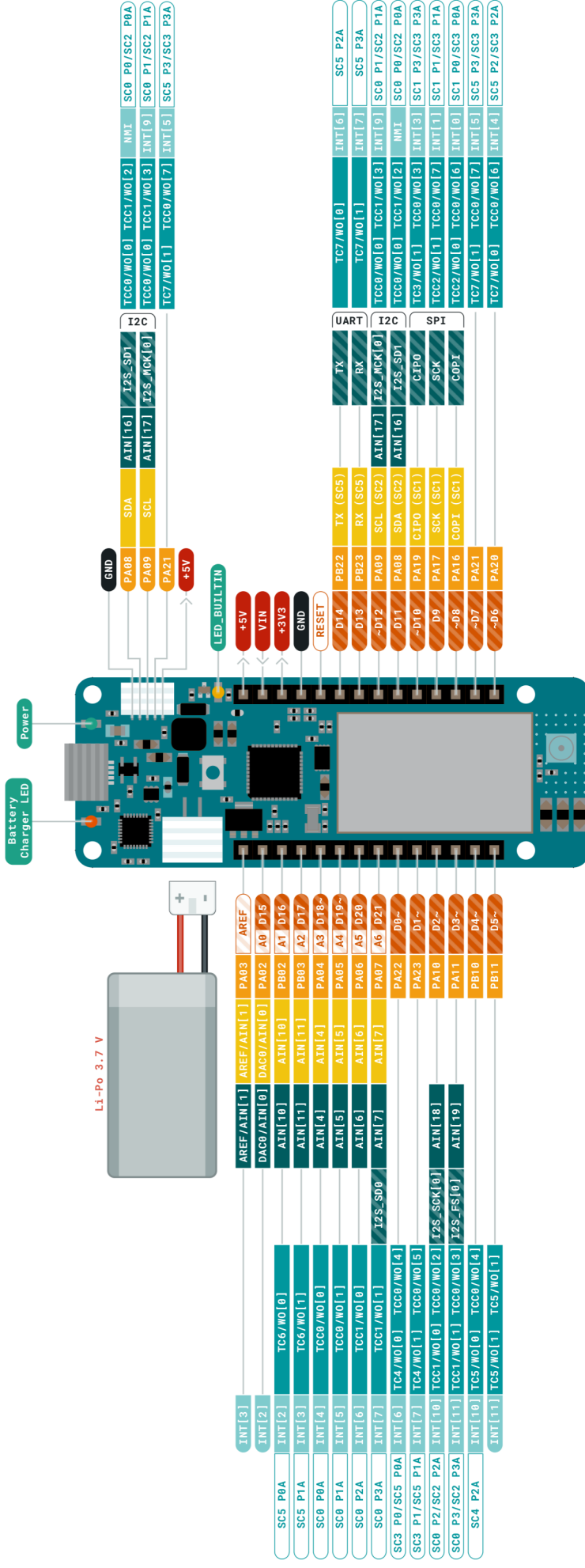
- ▲ **MAXIMUM** current per pin is 7mA
- ▲ **MAXIMUM** source current is 46mA
- ▲ **MAXIMUM** sink current is 65mA per pin group

VIN Input voltage to the board.

NOTE: CIP0/COP0 have previously been referred to as MISO/MOSI



This work is licensed under the Creative Commons Attribution-ShareAlike 4.0 International License. To view a copy of this license, visit <http://creativecommons.org/licenses/by-sa/4.0/> or send a letter to Creative Commons, PO Box 1866, Mountain View, CA 94042, USA.



Ground ■ **Digital Pin** ■

Power ■ **Analog Pin** ■

LED ■ **Other Pin** ■

Internal Pin ■ **Microcontroller's Port** ■

SWD Pin ■ **Default** ■

MAXIMUM current per pin is 7mA ▲

MAXIMUM source current is 46mA ▲

MAXIMUM sink current is 65mA per pin group ▲

LED-BUILTIN ■

+5V ■

VIN ■

+3V3 ■

GND ■

RESET ■

D14 ■ **PB22** ■ **TX (SC5)** ■

D13 ■ **PB23** ■ **RX (SC5)** ■

-D12 ■ **PA09** ■ **SCL (SC2)** ■ **I2S_MCK[0]** ■

D11 ■ **PA08** ■ **SDA (SC2)** ■ **I2S_SD1** ■

-D10 ■ **PA19** ■ **CIP0 (SC1)** ■ **SPI** ■

D9 ■ **PA17** ■ **SCK (SC1)** ■ **SCK** ■

-D8 ■ **PA16** ■ **COP1 (SC1)** ■ **COP1** ■

-D7 ■ **PA21** ■

-D6 ■ **PA20** ■

INT[3] ■ **SC5 P8A** ■ **AREF/AIN[1]** ■ **PA03** ■ **AREF** ■

INT[2] ■ **SC5 P1A** ■ **DAC0/AIN[0]** ■ **PA02** ■ **A0** ■ **D15** ■

INT[3] ■ **SC0 P8A** ■ **AIN[10]** ■ **PB02** ■ **A1** ■ **D16** ■

INT[4] ■ **SC0 P1A** ■ **AIN[11]** ■ **PB03** ■ **A2** ■ **D17** ■

INT[5] ■ **SC0 P2A** ■ **AIN[4]** ■ **PA04** ■ **A3** ■ **D18~** ■

INT[6] ■ **SC0 P3A** ■ **AIN[5]** ■ **PA05** ■ **A4** ■ **D19~** ■

INT[7] ■ **SC4 P2A** ■ **AIN[6]** ■ **PA06** ■ **A5** ■ **D20** ■

INT[6] ■ **SC5 P2A** ■ **AIN[7]** ■ **PA07** ■ **A6** ■ **D21** ■

INT[7] ■ **SC5 P3A** ■ **AIN[7]** ■ **PA22** ■ **DB~** ■

INT[9] ■ **SC0 P1/SC5 P8A** ■ **TC4/WO[0]** ■ **TCC0/WO[4]** ■ **PA23** ■ **DB~** ■

INT[9] ■ **SC0 P2/SC2 P2A** ■ **TC4/WO[1]** ■ **TCC0/WO[5]** ■ **PA10** ■ **D2~** ■

INT[10] ■ **SC0 P3/SC2 P3A** ■ **TCCT1/WO[0]** ■ **TCC0/WO[3]** ■ **PA11** ■ **DB3~** ■

INT[10] ■ **SC4 P2A** ■ **TC5/WO[0]** ■ **TCC0/WO[4]** ■ **PB10** ■ **D4~** ■

INT[11] ■ **SC5 P2/SC3 P2A** ■ **TC5/WO[1]** ■ **TCC0/WO[1]** ■ **PB11** ■ **DB5~** ■

TC0/WO[0] ■ **SC0 P0/SC2 P0A** ■ **I2C** ■ **I2S_SDT** ■

TC0/WO[0] ■ **SC0 P1/SC2 P1A** ■ **I2C** ■ **I2S_MCK[0]** ■

TC7/WO[1] ■ **SC5 P3/SC3 P3A** ■ **INT[5]** ■

TX ■ **UART** ■

RX ■ **UART** ■

I2S_MCK[0] ■ **I2C** ■

CIP0 ■ **SPI** ■

SCK ■ **SPI** ■

COP1 ■ **SPI** ■

TC7/WO[0] ■ **SC5 P2A** ■

TC7/WO[1] ■ **SC5 P3A** ■

TC0/WO[0] ■ **SC0 P1/SC2 P1A** ■

TC0/WO[0] ■ **SC0 P0/SC2 P0A** ■

TC3/WO[1] ■ **SC1 P3/SC3 P3A** ■

TC22/WO[1] ■ **SC1 P1/SC3 P1A** ■

TC02/WO[0] ■ **SC1 P0/SC3 P0A** ■

TC7/WO[1] ■ **SC5 P3/SC3 P3A** ■

TC7/WO[0] ■ **SC5 P2/SC3 P2A** ■

Power ■

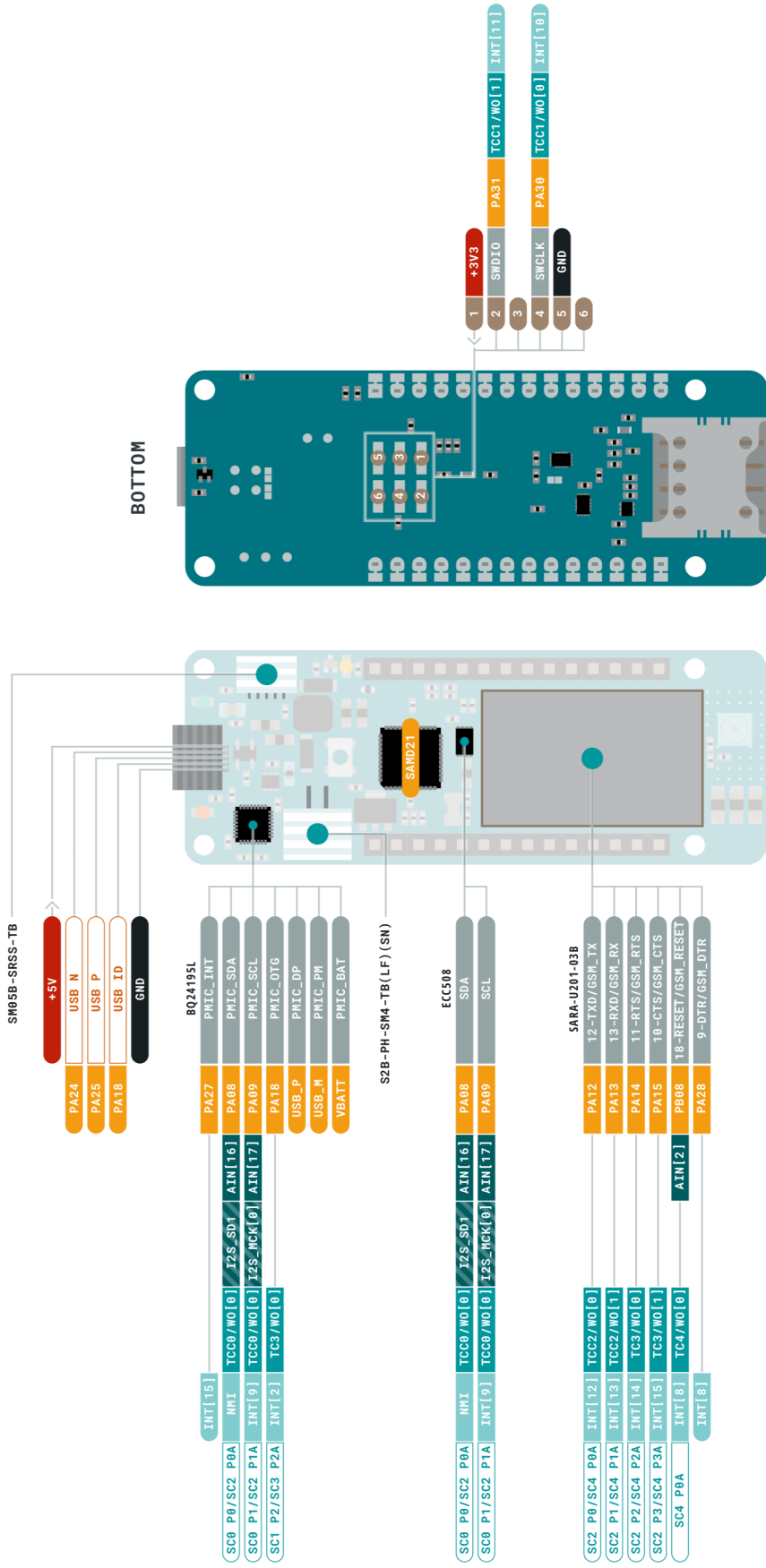
Battery Charger LED ■

VIN Input voltage to the board.

NOTE: CIP0/COP1 have previously been referred to as MISO/MOSI

ARDUINO . CC
Last update: 7/08/2020

This work is licensed under the Creative Commons Attribution-ShareAlike 4.0 International License. To view a copy of this license, visit <http://creativecommons.org/licenses/by-sa/4.0/> or send a letter to Creative Commons, PO Box 1866, Mountain View, CA 94042, USA.



	Ground		Digital Pin		Analog
	Power		Analog Pin		Communication
	LED		Other Pin		Timer
	Internal Pin		Microcontroller's Port		Interrupt
	SWD Pin		Default		Sercom

⚠️ MAXIMUM current per pin is 7mA

⚠️ MAXIMUM source current is 46mA

⚠️ MAXIMUM sink current is 65mA per pin group

VIN Input voltage to the board.
NOTE: CIPO/COPI have previously been referred to as MISO/MOSI



This work is licensed under the Creative Commons Attribution-ShareAlike 4.0 International License. To view a copy of this license, visit <http://creativecommons.org/licenses/by-sa/4.0/> or send a letter to Creative Commons, PO Box 1866, Mountain View, CA 94042, USA.