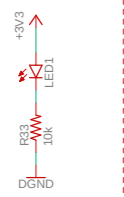
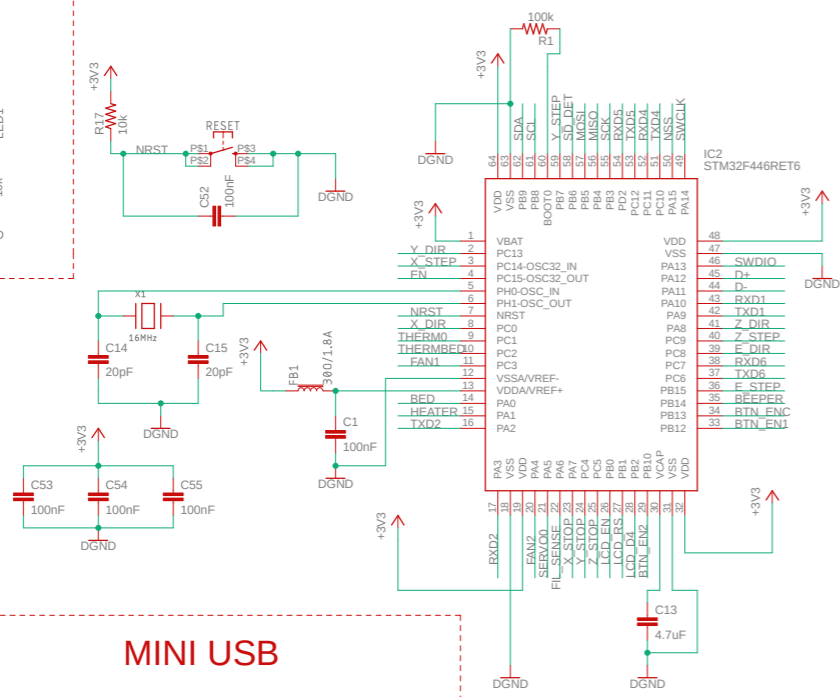


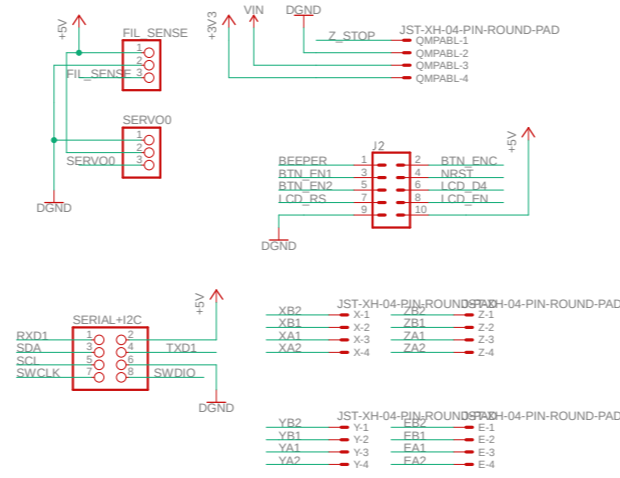
PWR LED



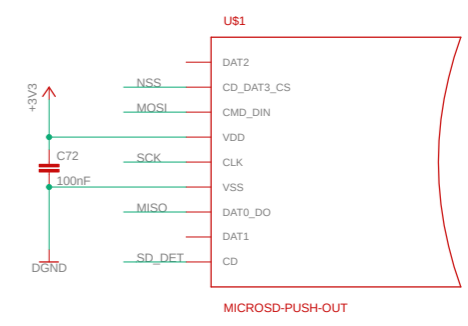
MAIN MCU



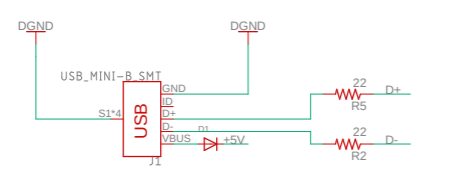
PINOUT



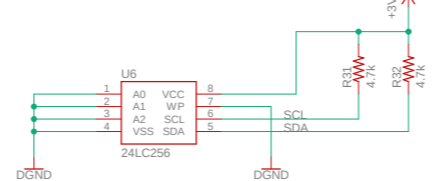
uSD CARD



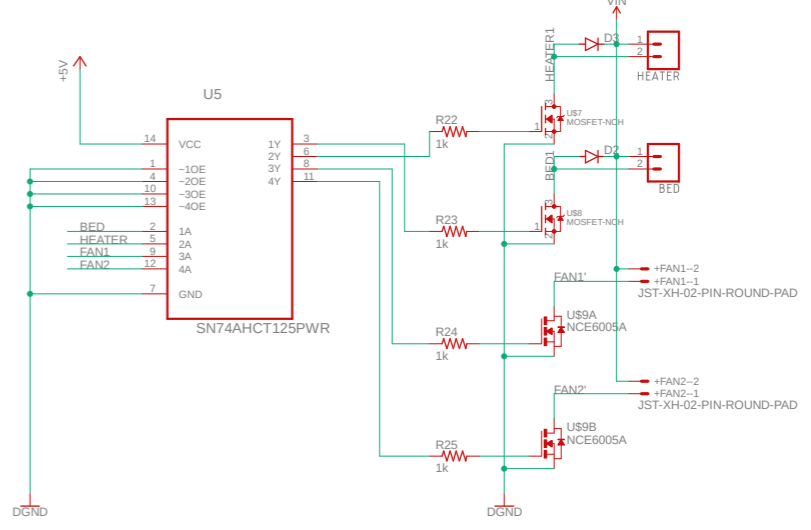
MINI USB



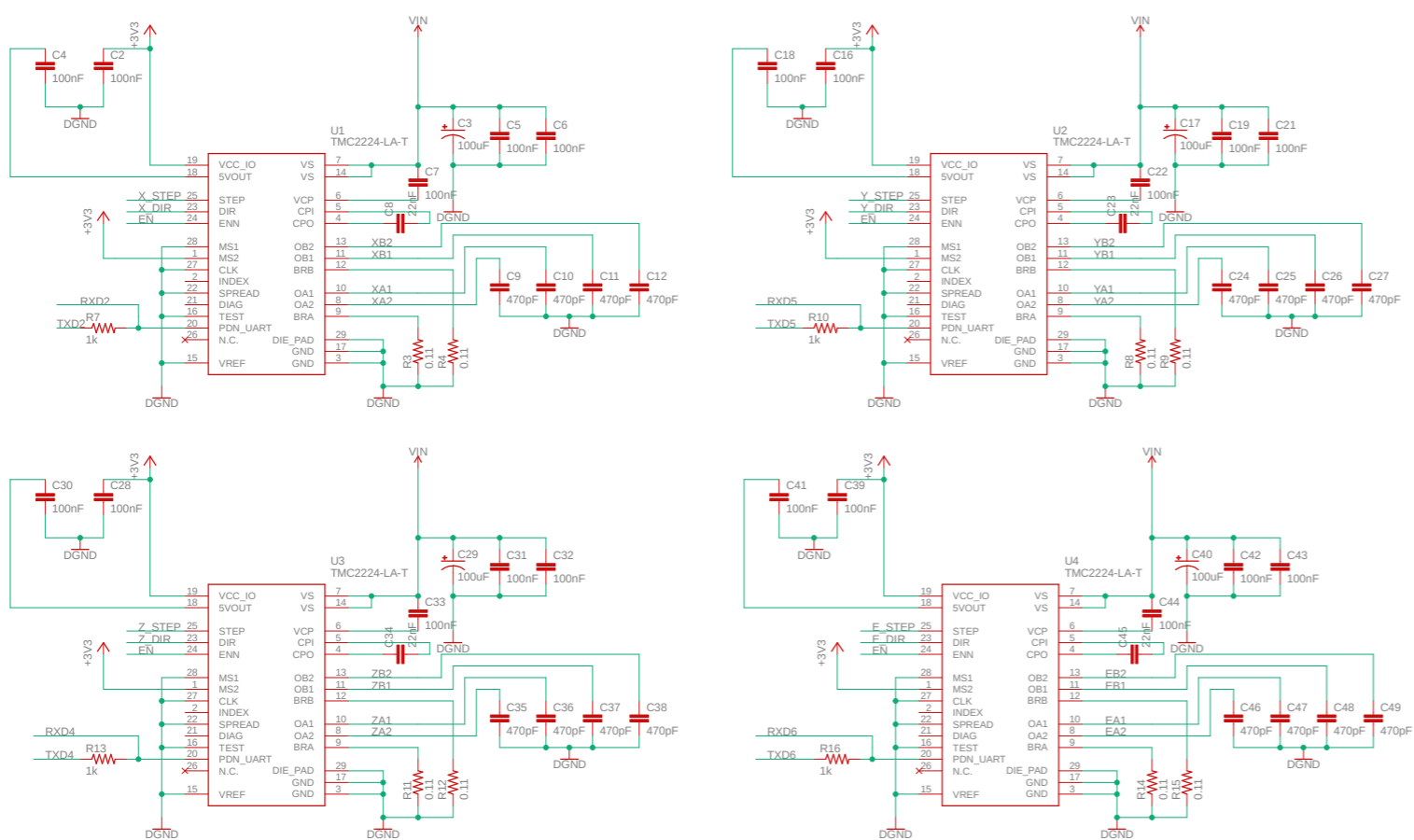
I2C EEPROM



BED + HEATER + 2xFAN



STEPPER DRIVERS



POWER SUPPLY

