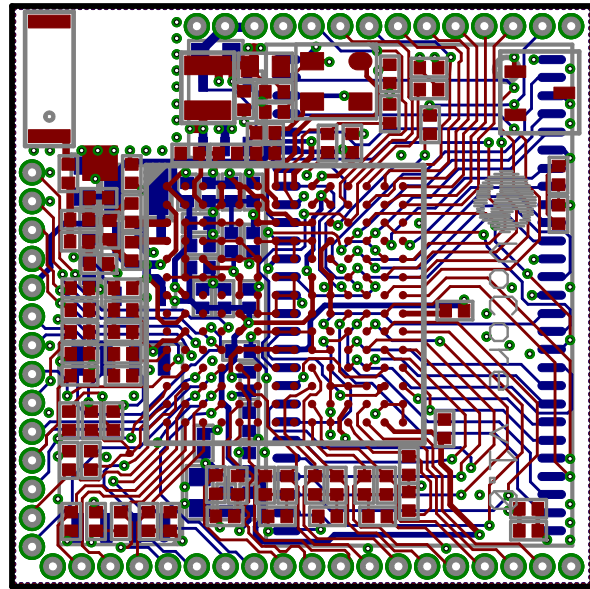


G#12/PCM\_CLK  
 G#09/I2S\_SDO  
 G#22/LED0  
 G#08/I2S\_WS/TXD  
 +1.8V  
 G#04/SPI\_CLK  
 G#05/SPI\_MOSI  
 G#27/SPI\_CS1  
 G#23/LED1  
 G#13/PCM\_DRX  
 G#24/LED2  
 G#25/LED3  
 G#26/LED4  
 G#14/PCM\_DTX



+3.2V ~ +3.5V  
 USB+  
 USB-  
 P4RN  
 P4RP  
 P4TN  
 P4TP  
 P0RN  
 P0RP  
 P0TN  
 P0TP  
 G#11/PCM\_FS  
 G#03/SPI\_CS0  
 G#06/SPI\_MISO  
 G#10/I2S\_SDI/RXD  
 G#16/RXD2  
 G#07/I2S\_CLK  
 G#15/TXD2  
 GND

GND ~ +6.0V  
 +3.5V ~ +6.0V  
 GND  
 G#17/JTAG\_ID0  
 G#21/JTAG\_TRST  
 G#20/JTAG\_TCLK  
 G#19/JTAG\_TMS  
 G#00  
 G#18/JTAG\_TDI  
 G#01/I2C\_SCLK  
 G#02/I2C\_SD  
 RESET  
 GND

# VoCore v1.0