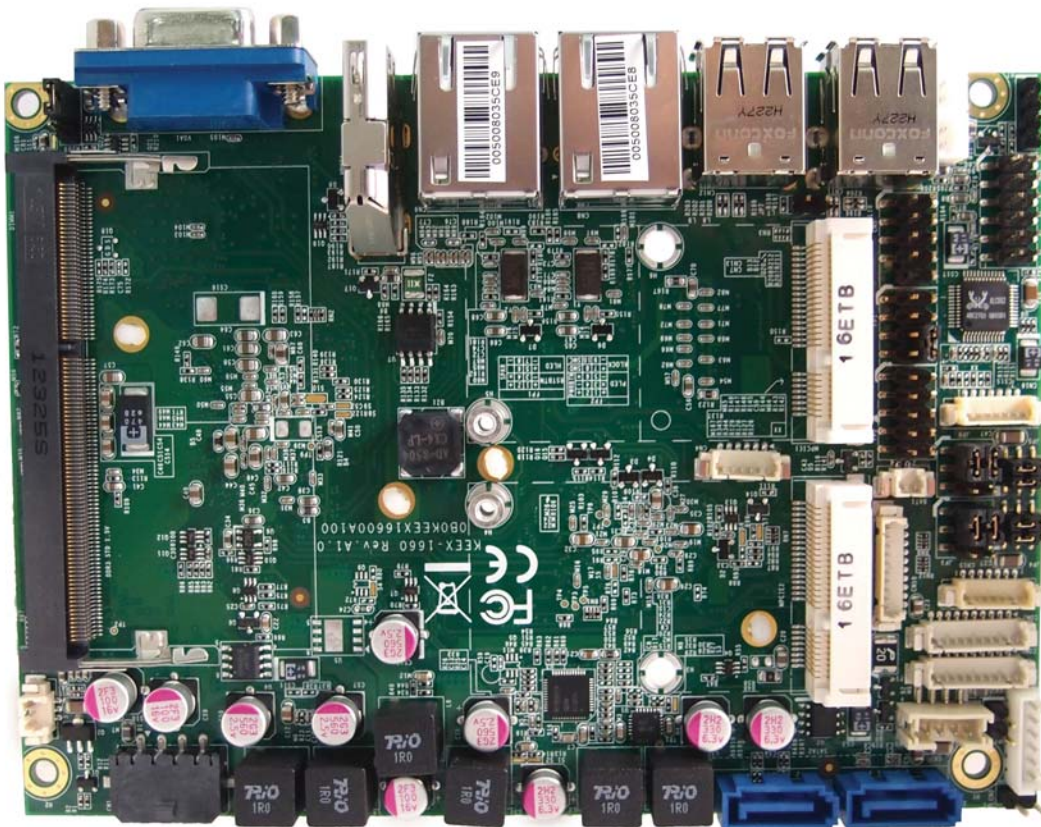


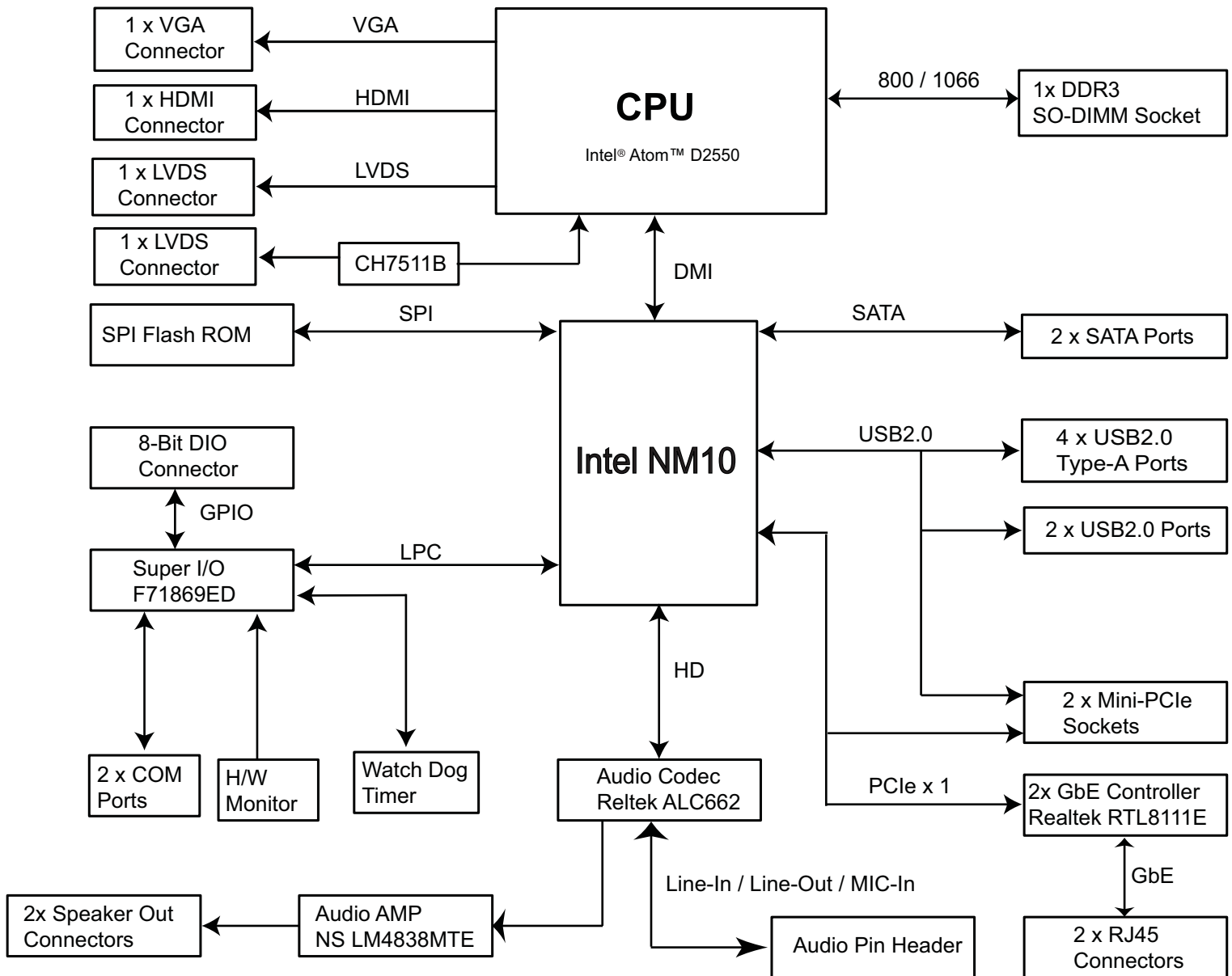
# KEEX-1660

Industrial Embedded SBC with  
Intel® Atom™ Processor D2550



- Intel® Atom™ Processor D2550 (1M Cache, 1.86GHz)
- Intel® NM10 Express chipset
- Support DDR3 SO-DIMM
- Intel® Graphics Media Accelerator 3650
- 6x USB 2.0, 2x COM, 2x GbE LAN, 2xSATA
- DIO supported
- 1xVGA, 1xHDMI, 1x Single Channel LVDS, 1x Dual Channel LVDS Supported
- 2x Mini-PCIe Sockets support USB 2.0

• Block Diagram



## Technical Information

|                    |   |
|--------------------|---|
| <b>CPU Support</b> | Intel® Atom™ Processor D2550 (1M Cache, 1.86GHz)  |
| <b>Chipset</b>     | Intel® NM10 Express Chipset   |
| <b>Memory</b>      | 1x DDR3 SO-DIMM Socket  |
| <b>BIOS</b>        | AMI uEFI Plug<br>1x 16MB SPI Flash ROM  |
| <b>Graphics</b>    | Intel® Graphics Media Accelerator 3650<br>1x VGA<br>1x HDMI<br>1x single channel 18/24-bit LVDS1 with backlight control<br>1x dual channel 18/24-bit LVDS2 with backlight control |
| <b>LAN</b>         | 2x Realtek RTL8111E GbE controllers<br>2x RJ-45 with Gb/s transformer connectors<br>WOL/RPL/PXE supported   |
| <b>Audio</b>       | Realtek ALC662-VC HD Codec with 2W Audio Amplifier<br>1x header for Line-in, Mic-In and Line-Out<br>Jack detection supported<br>1x S/PDIF   |
| <b>Storage</b>     | 2x SATA connectors  |
| <b>USB</b>         | 6x USB :<br>4x USB 2.0 ports for external use<br>2x USB2.0 ports for internal use   |
| <b>COM</b>         | 2x COM ports ( RS-232/422/485 selected on COM 1 )   |

|                              |   |
|------------------------------|---|
| <b>DIO</b>                   | 1x 8-bits DIO connector (4-bits input and 4-bits output)  |
| <b>Front panel supported</b> | 1x Reset button, HDD LED and External Speaker supported<br>1x Power button, Power LED, Keyboard lock and SM bus supported |
| <b>Expansion Slot</b>        | 2x Mini-PCIe slots support USB 2.0  |
| <b>Hardware Monitor</b>      | Voltages and Temperature monitoring   |
| <b>FAN</b>                   | 5VDC FAN ( smart FAN supported )  |
| <b>RTC</b>                   | NM10 internal RTC   |
| <b>Battery</b>               | 1x Battery connection ( Lithium Battery, 3V )   |
| <b>Power Input</b>           | AT/ATX mode supported<br>1x +12VDC power input  |
| <b>Watchdog Timer</b>        | 1 - 255 Steps, can be set with software on Super I/O  |
| <b>OS Supported</b>          | Windows 7   |
| <b>Dimensions</b>            | 146 mm x 105 mm   |
| <b>Environment</b>           | Operation Temp.: 0°C - 60°C<br>Storage Temp.: -20°C - 80°C<br>Humidity: 0% - 95%  |
| <b>Certification</b>         | CE, FCC Class A   |

## KEEX-1660 I/Os

