

GFI

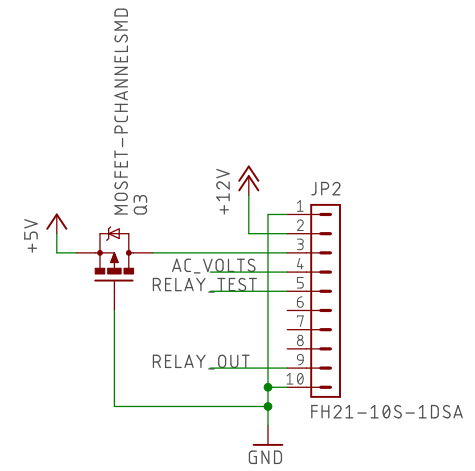
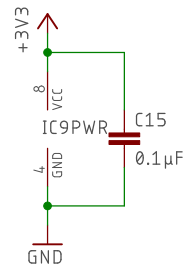
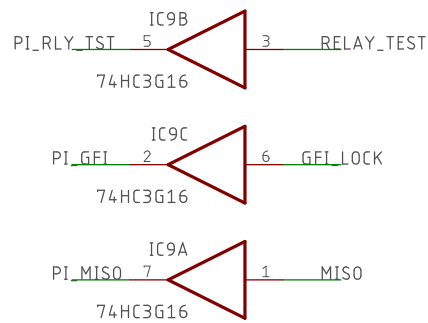
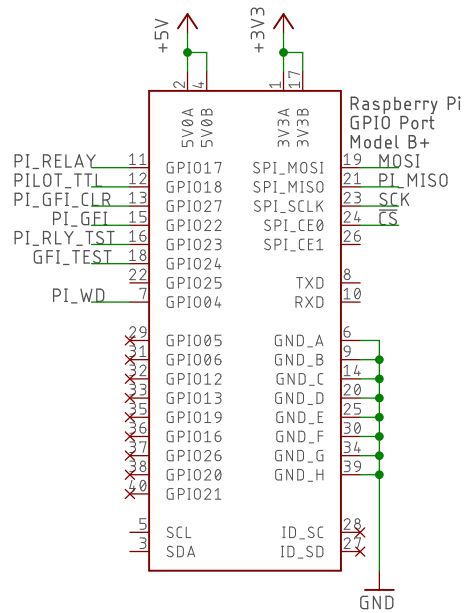
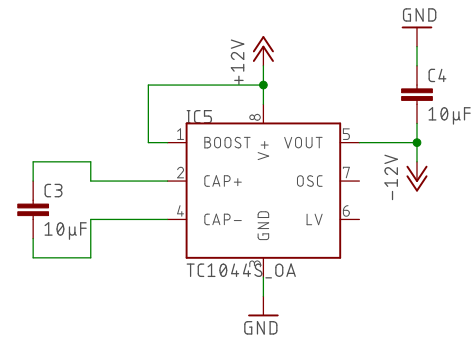
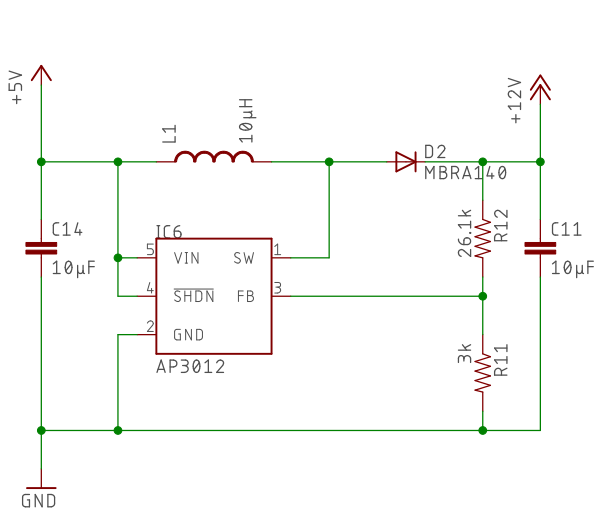
TITLE: pi EVSE hat v1_1_2

Document Number:

REV:

Date: 10/5/19 3:56 PM

Sheet: 1/3



PI Interface & Power

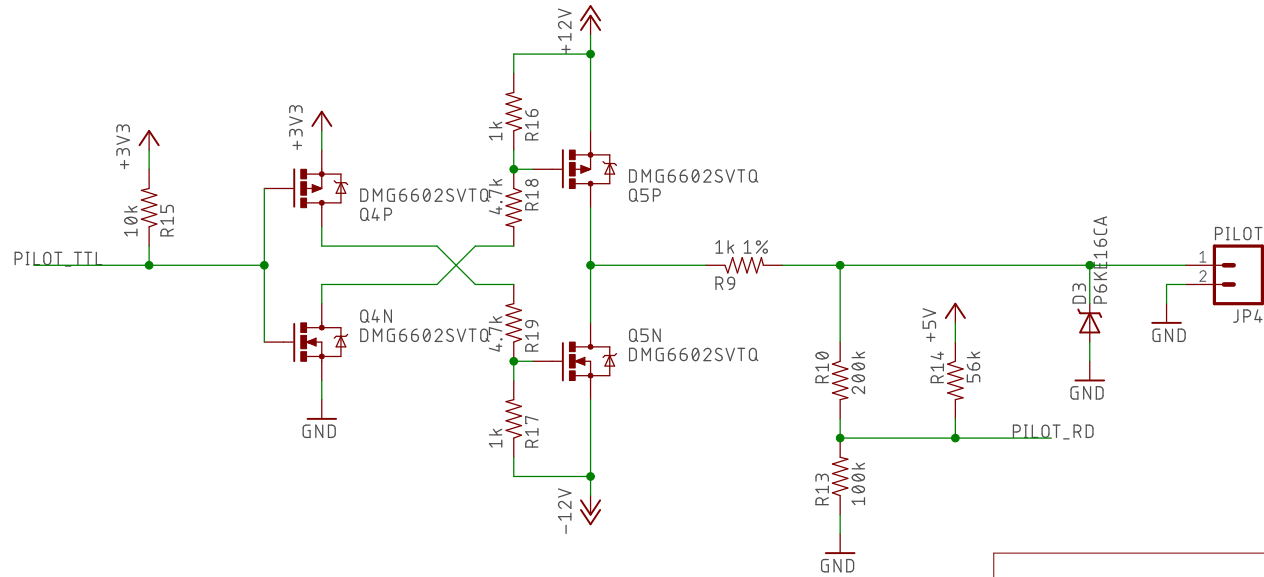
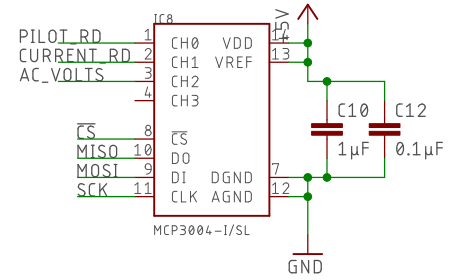
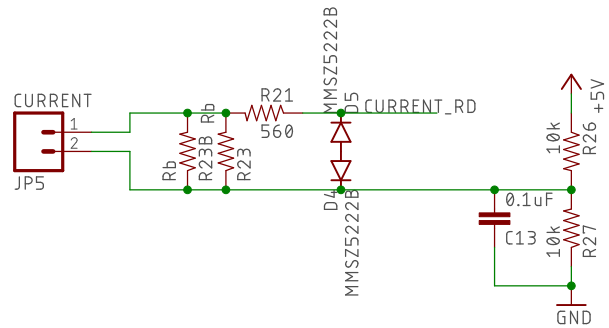
TITLE: pi EVSE hat v1_1_2

Document Number:

REV:

Date: 10/5/19 3:56 PM

Sheet: 2/3



PILOT

TITLE: pi EVSE hat v1_1_2

Document Number:

REV:

Date: 10/5/19 3:56 PM

Sheet: 3/3