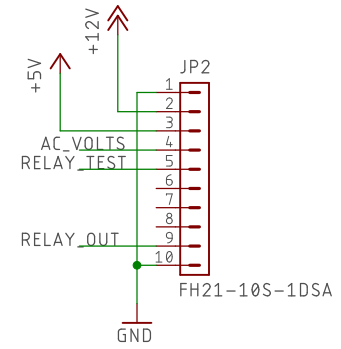
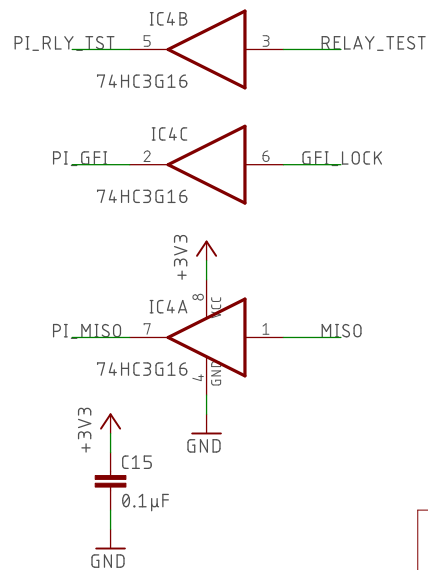
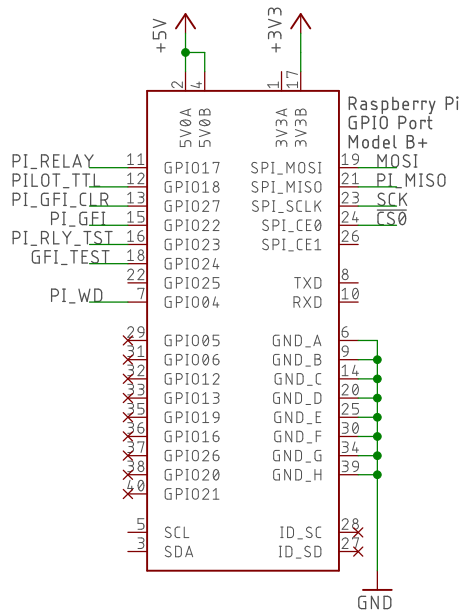
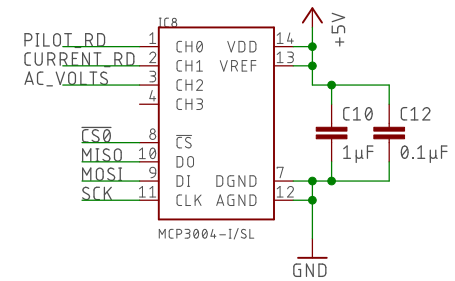
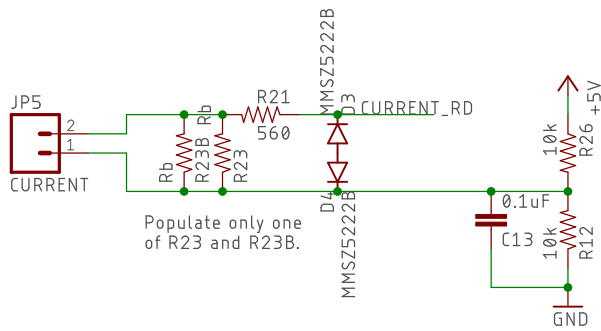


GFI & Relay control

TITLE: pi EVSE hat v4_0_1

Document Number: _____ REV: _____

Date: 8/3/20 1:54 PM Sheet: 1/3



Interfaces & ADC

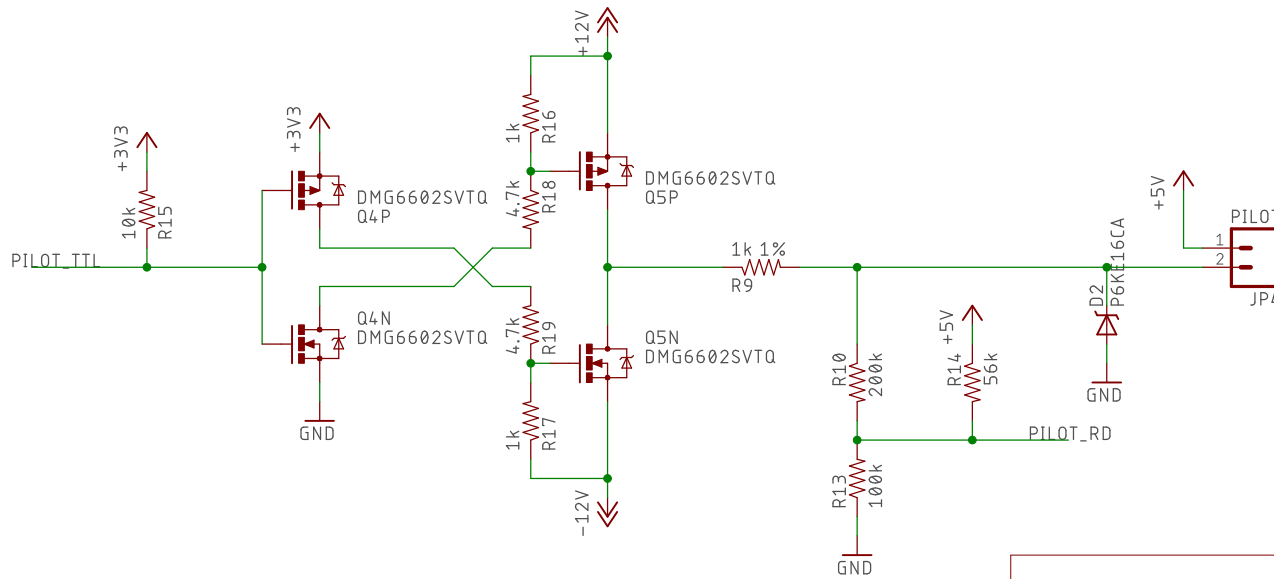
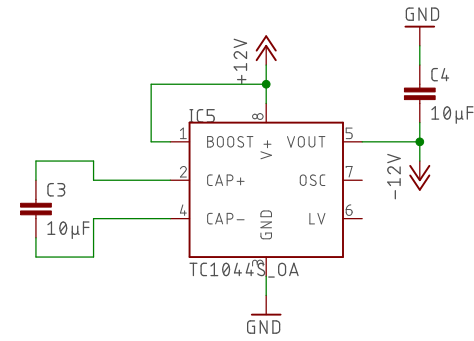
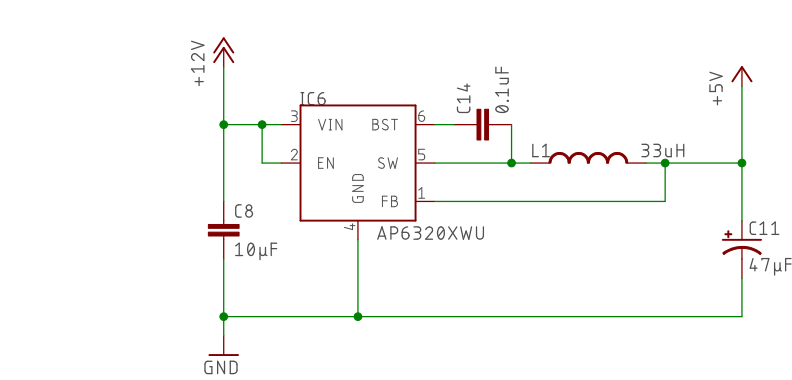
TITLE: pi EVSE hat v4_0_1

Document Number:

REV:

Date: 8/3/20 1:54 PM

Sheet: 2/3



PILOT & Power

TITLE: pi EVSE hat v4_0_1

Document Number:

REV:

Date: 8/3/20 1:54 PM

Sheet: 3/3