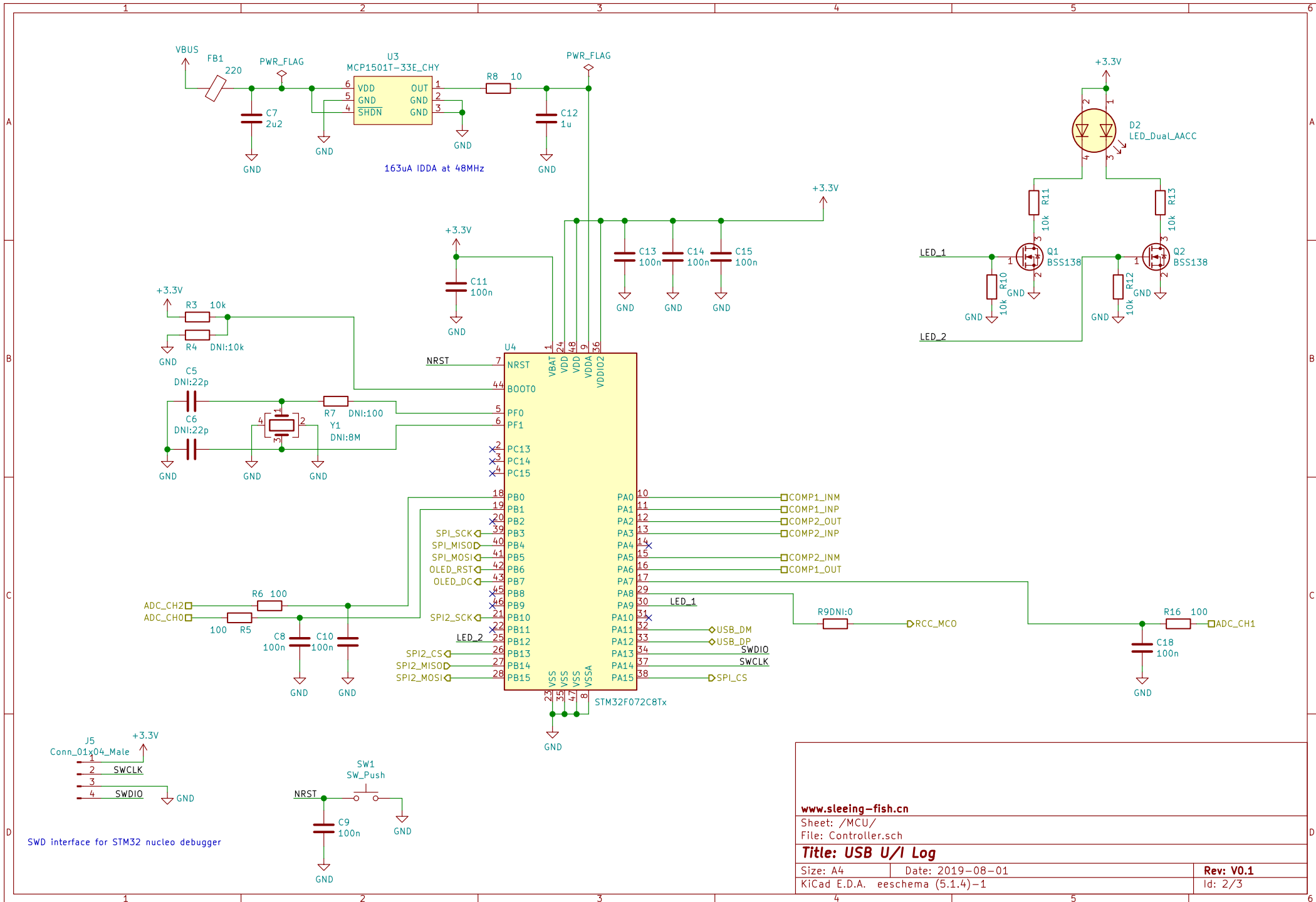


- H1 MountingHole
- H2 MountingHole
- H3 MountingHole
- H4 MountingHole

www.sleeing-fish.cn	
Sheet: /	
File: SimpleUI_Logger.sch	
Title: USB U/I Log	
Size: A4	Date: 2019-08-01
KiCad E.D.A. eeschema (5.1.4)-1	Rev: V0.1
	Id: 1/3



SWD interface for STM32 nucleo debugger

www.sleeing-fish.cn

Sheet: /MCU/
File: Controller.sch

Title: USB U/I Log

Size: A4 Date: 2019-08-01

KiCad E.D.A. eeschema (5.1.4)-1

Rev: V0.1

Id: 2/3

