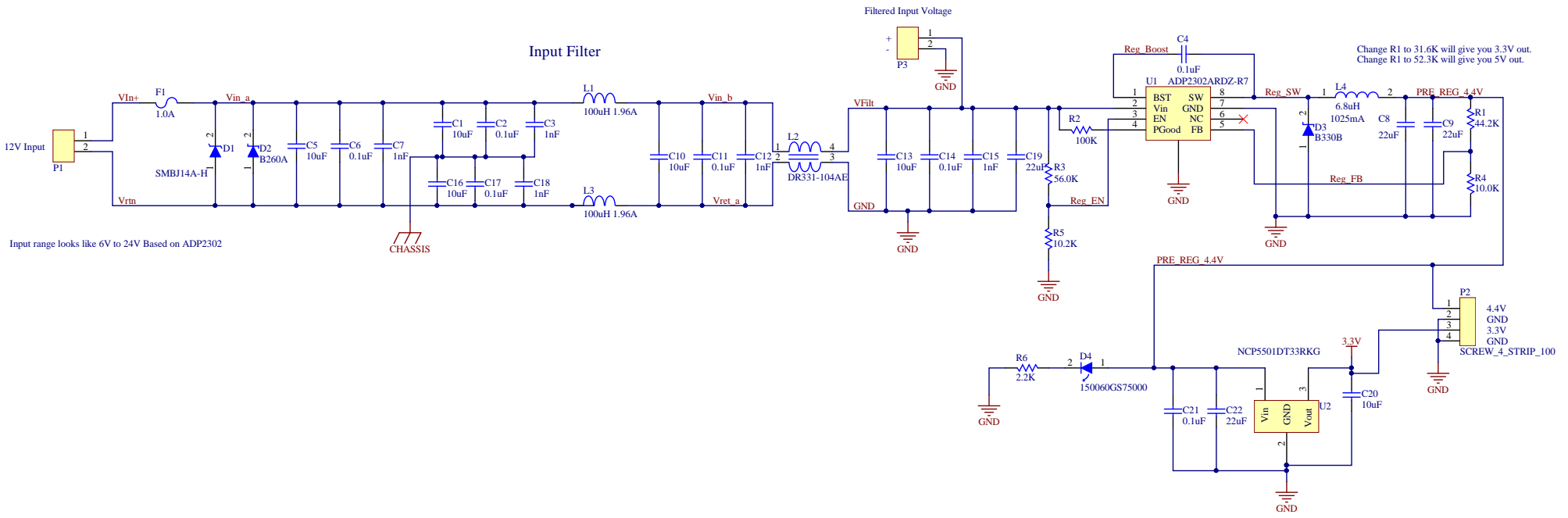
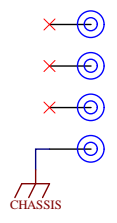


Voltage Regulators



Input range looks like 6V to 24V Based on ADP2302

Change R1 to 31.6K will give you 3.3V out.
Change R1 to 52.3K will give you 5V out.



Sig1
Lizard Sig
Lizard Artwork

Title Filter/Regulator Board 2		
Size B	Number	Revision 1.0
Date: 9/5/2019	Sheet 1 of 1	
File: C:\Bob\Filter_Regulator_Bd2.SchDoc	Drawn By: Bob Harbour	