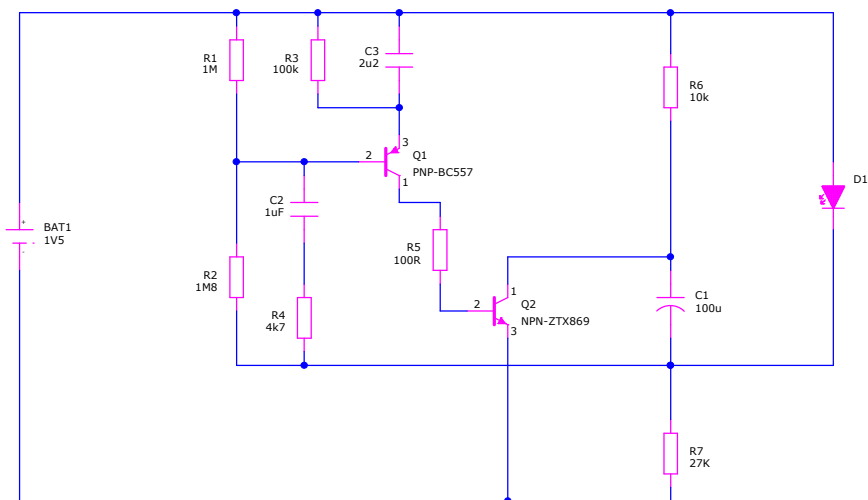


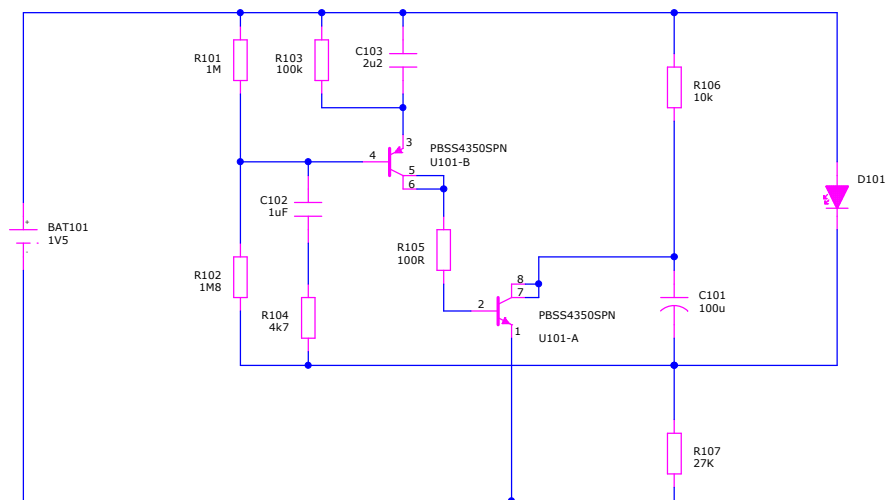
1. Original circuit from Pigeon's nest

[pigeonsnest.co.uk/stuff/picprog/single-cell-led-flasher-two-year-battery-life.html](http://pigeonsnest.co.uk/stuff/picprog/single-cell-led-flasher-two-year-battery-life.html)



Q2 is high-gain, low-saturation-voltage device

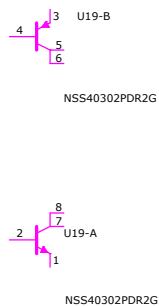
2. Modified to use complimentary transistor pair in one package



2021-01-20 Date drawn

Modified circuits show a device in an SOIC8 package

Modified circuits have not been tested!



Possible alternative device

3. Vertically mirrored version showing symmetry

