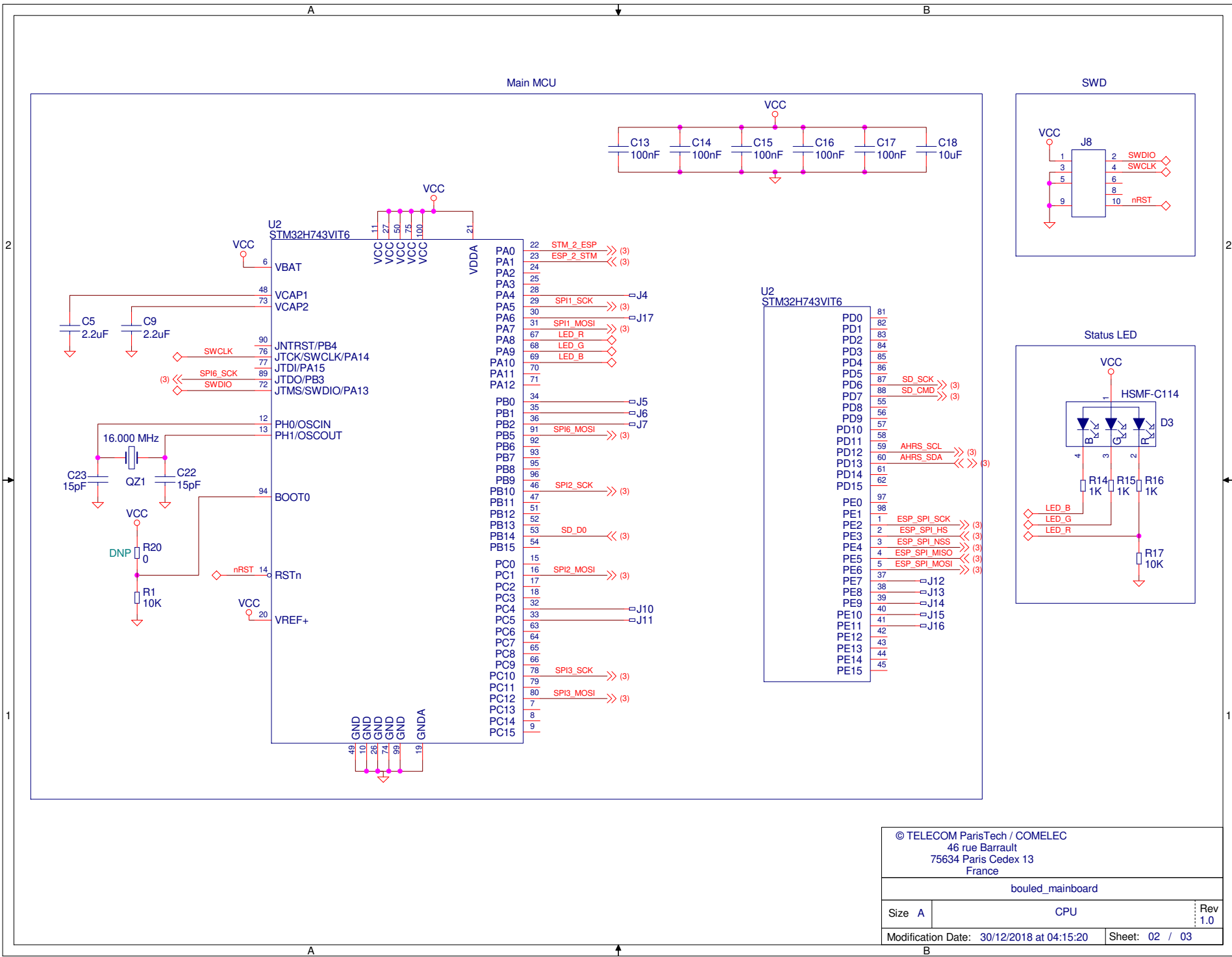


© TELECOM ParisTech / COMELEC 46 rue Barrault 75634 Paris Cedex 13 France		
bouled_mainboard		
Size	A	Power supply
Modification Date:	30/12/2018 at 04:41:52	Rev 1.0
Sheet:	01 / 03	

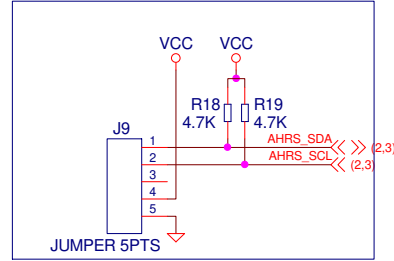
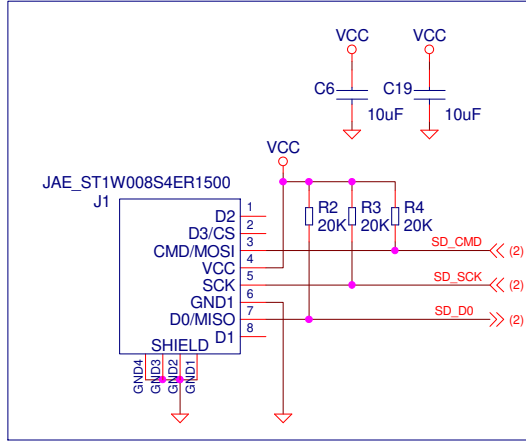


© TELECOM ParisTech / COMELEC 46 rue Barrault 75634 Paris Cedex 13 France		
bouled_mainboard		
Size A	CPU	Rev 1.0
Modification Date: 30/12/2018 at 04:15:20	Sheet: 02 / 03	

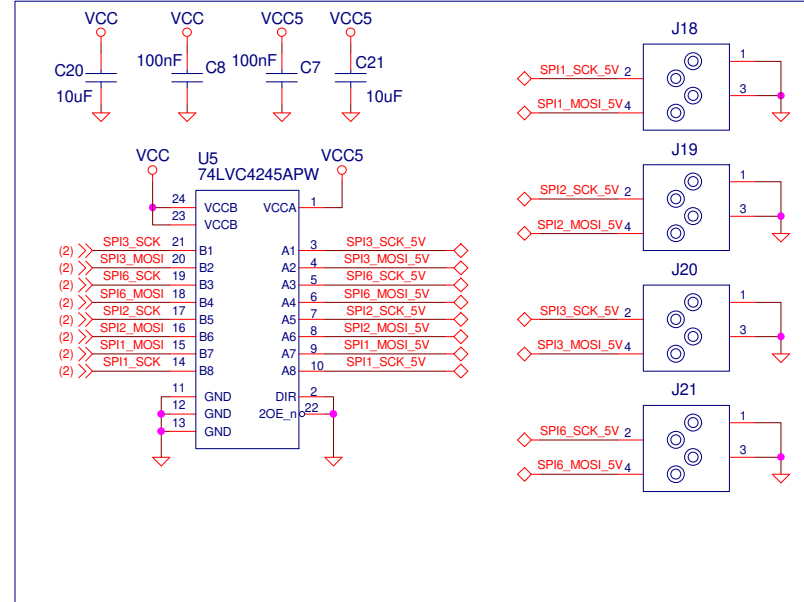
A

B

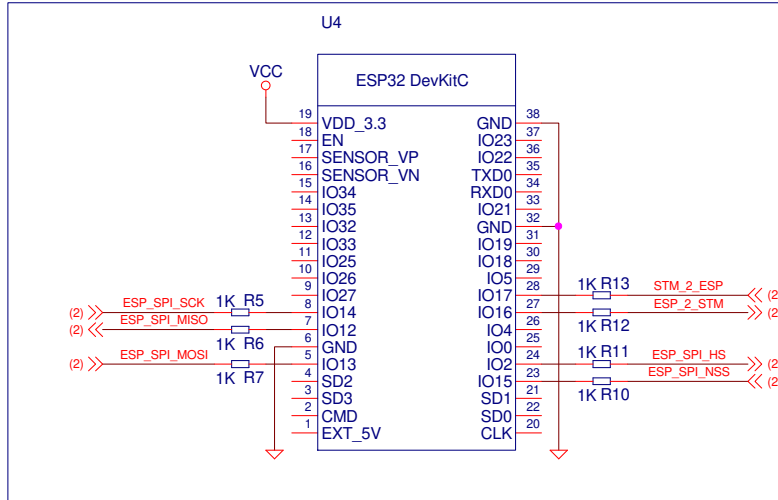
Micro-SD



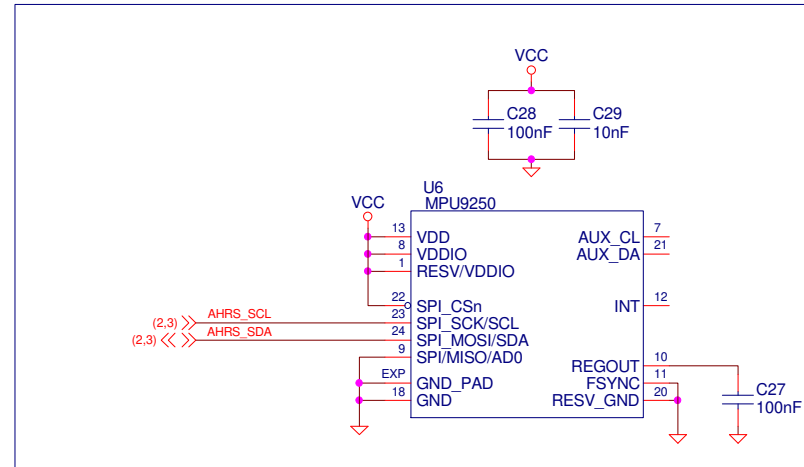
SPI outputs to triangles



ESP32_DEVKITC



Backup AHRS



© TELECOM ParisTech / COMELEC
46 rue Barrault
75634 Paris Cedex 13
France

bouled_mainboard

Size A	Peripherals	Rev 1.0
Modification Date: 30/12/2018 at 04:15:20		Sheet: 03 / 03

A

B