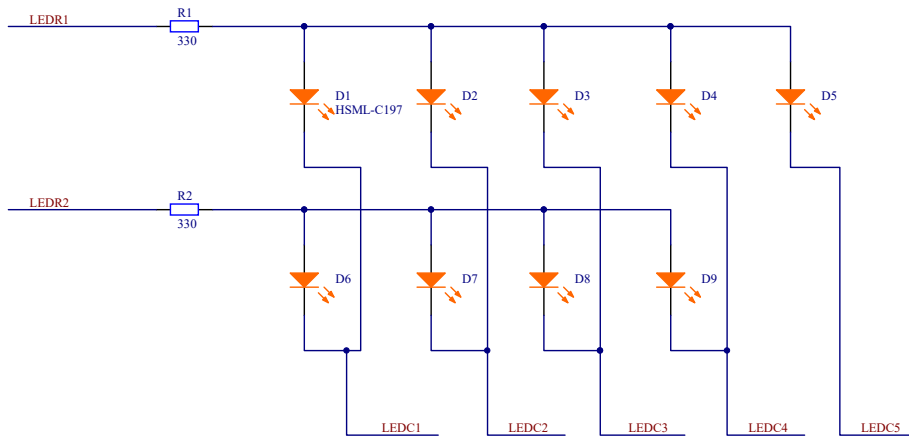
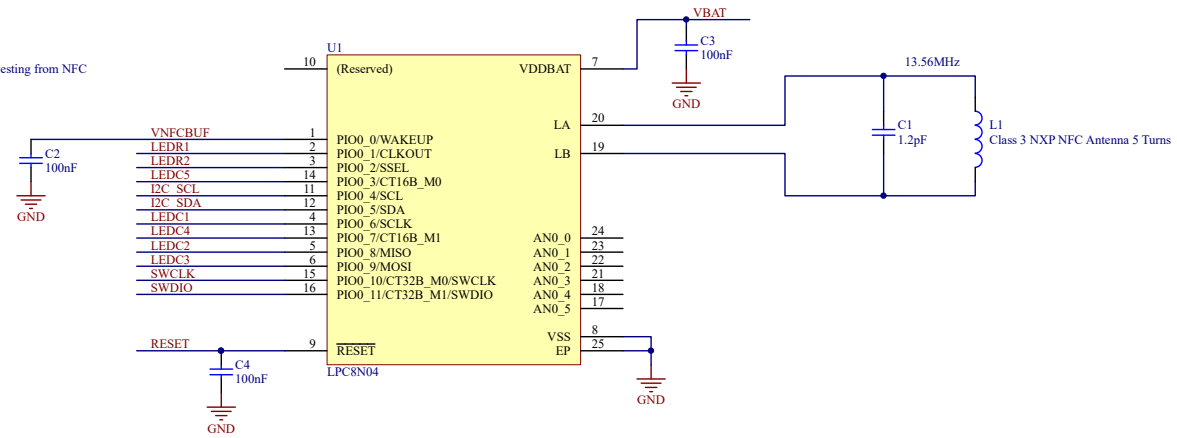



Set PIO0_0 to high to use C2 as a buffer for the energy harvesting from NFC



	Product Name NFC Beast Card		
	Product number BS-NFC-01		Author Andrejs Bondarevs
	Date 2019-10-20	Revision S1.0	Company Beast Devices