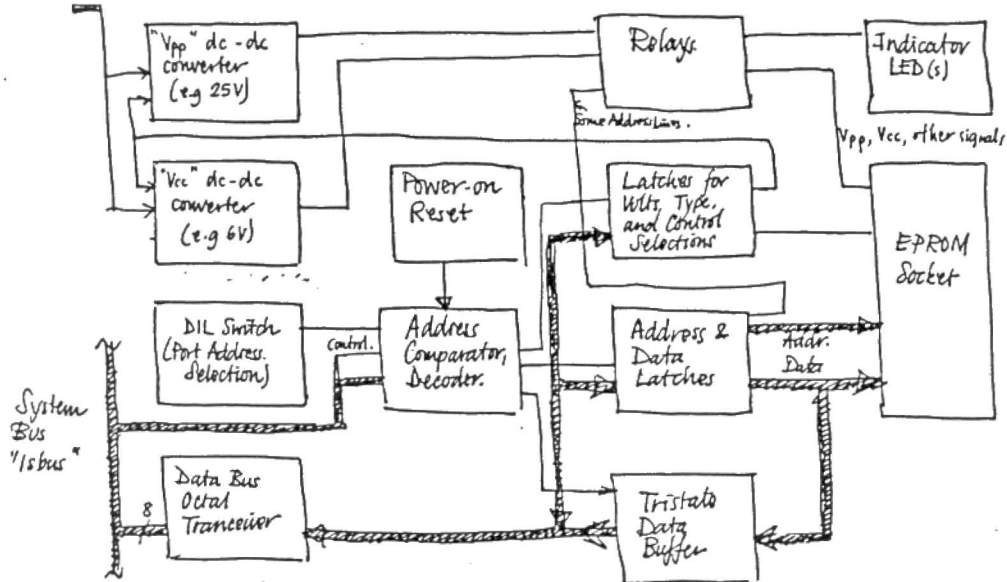


5V dc. System Power



- BLOCK DIAGRAM -

Drawn DMP

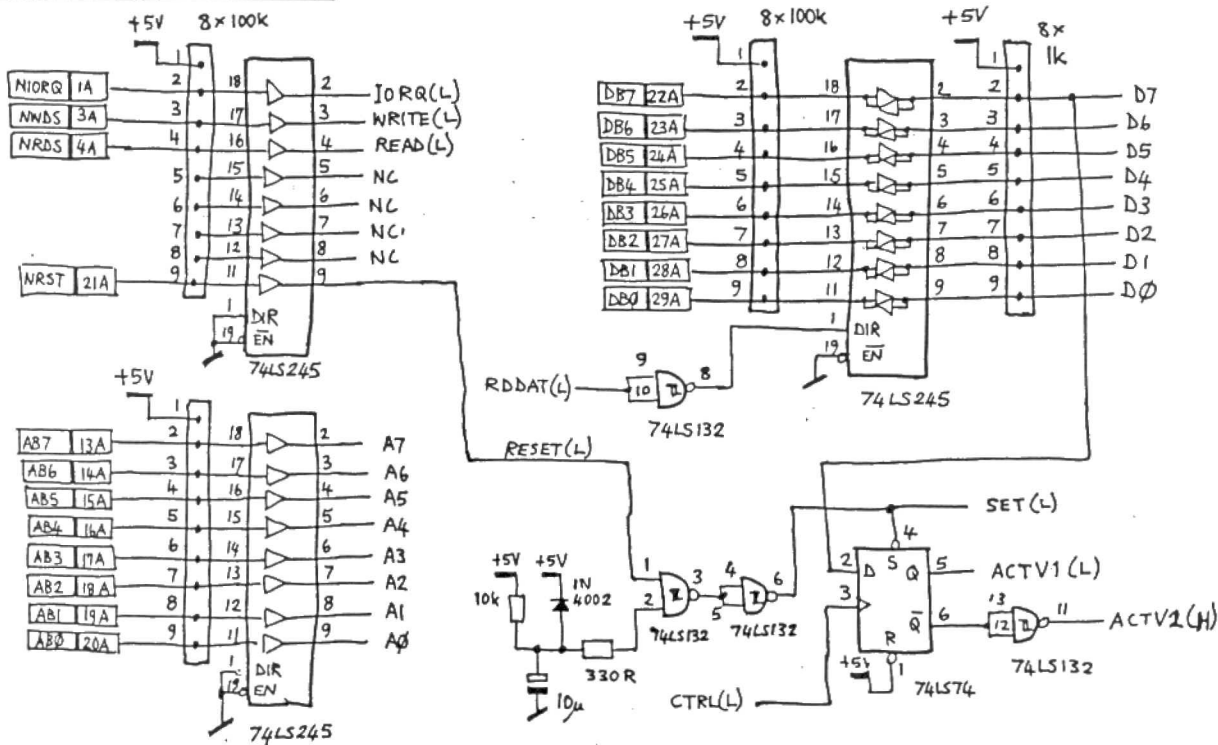
Date 16-3-86

Scale

**Greenbank Electronics**

PGM-7 BLOCK DIAGRAM.

1



Drawn DMP

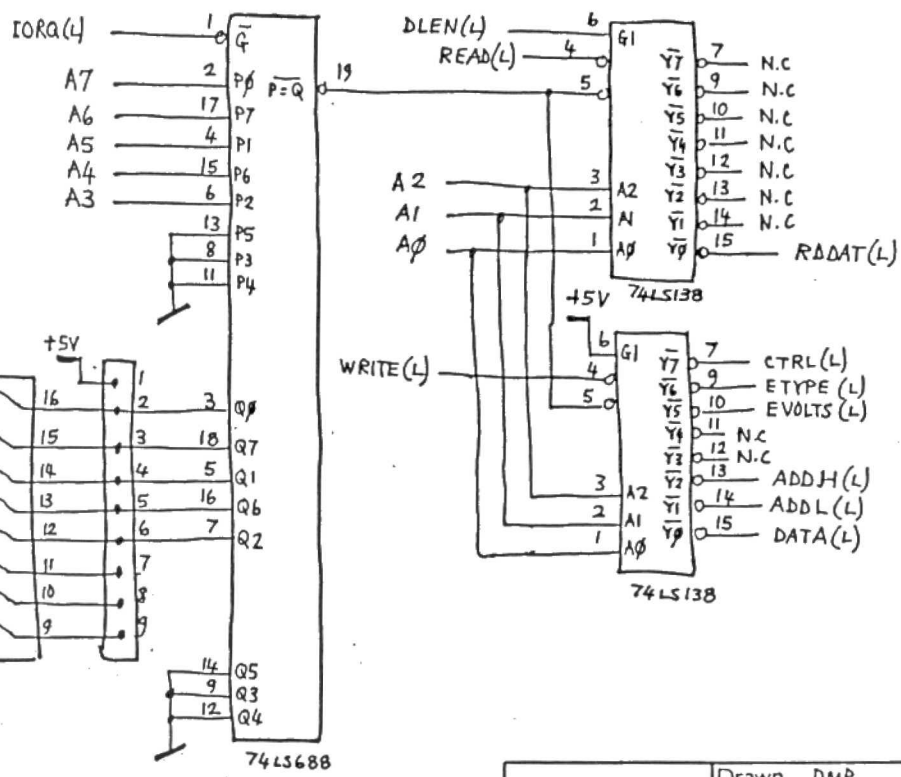
Date 4-4-86

Scale

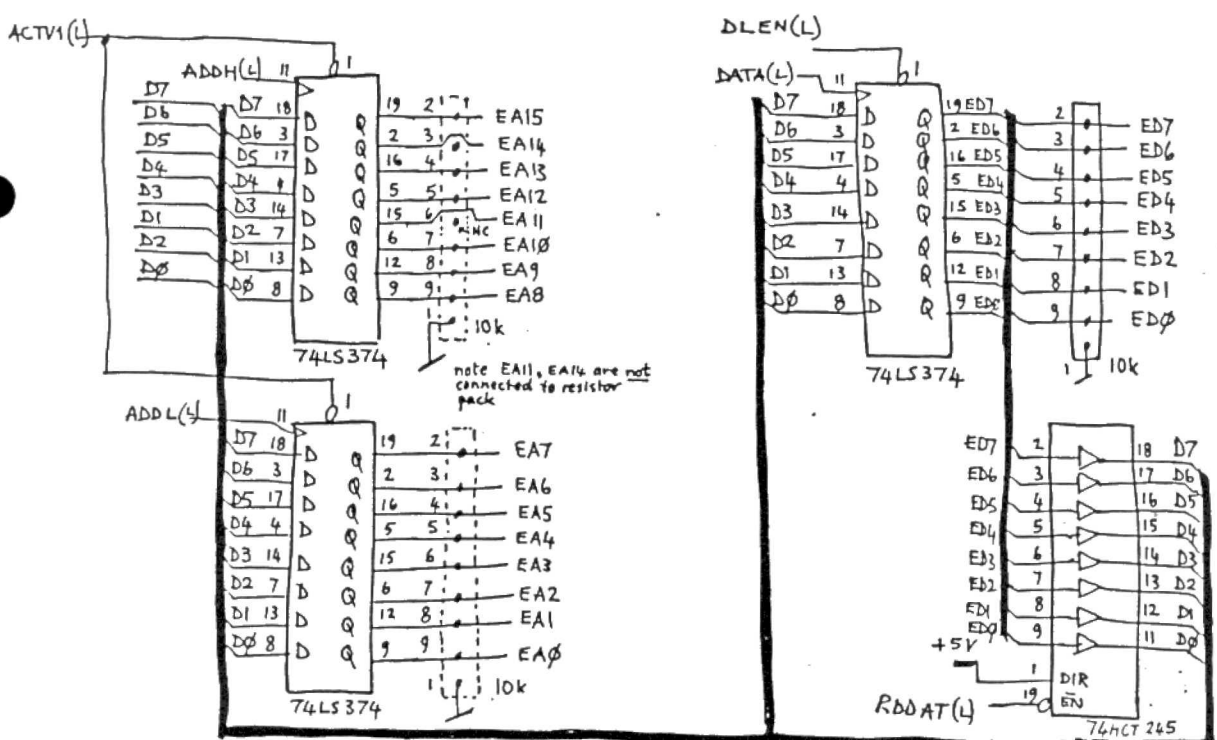
**Greenbank Electronics**

PGM-7  
ADDRESS, DATA, CONTROL BUFFERS

2

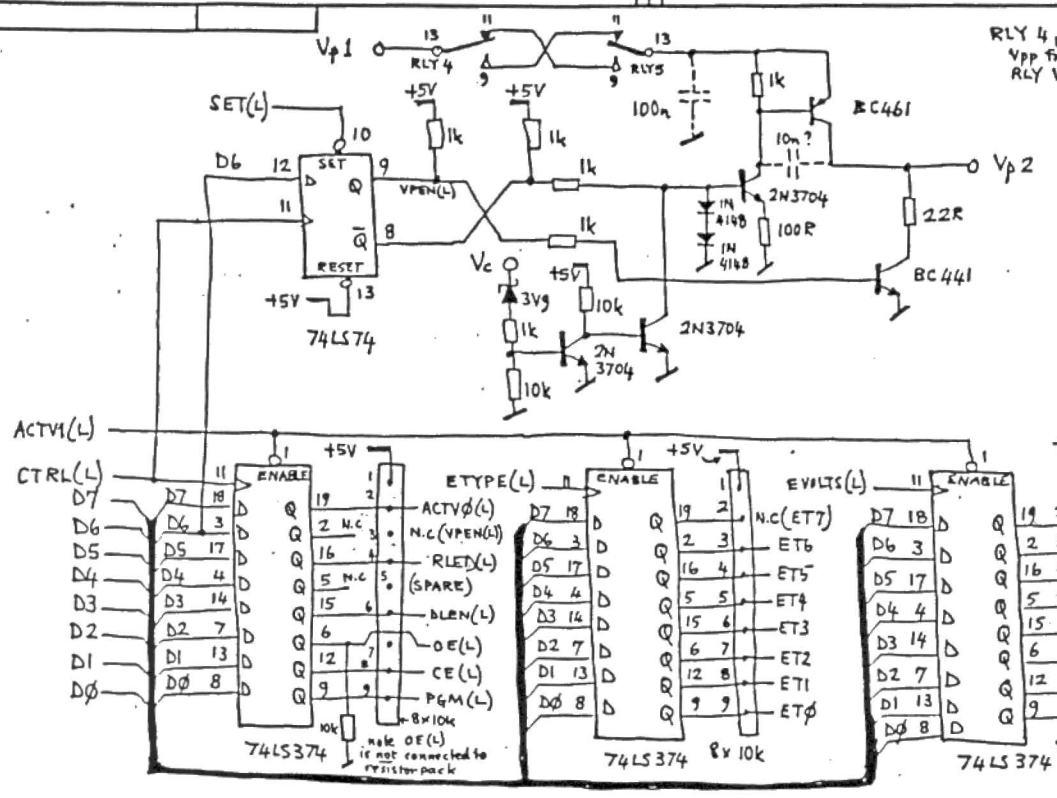


Drawn	DMP	<b>Greenbank Electronics</b>
Date	4-4-86	
Scale		
		PGM-1
		ADDRESS DECODING
		3

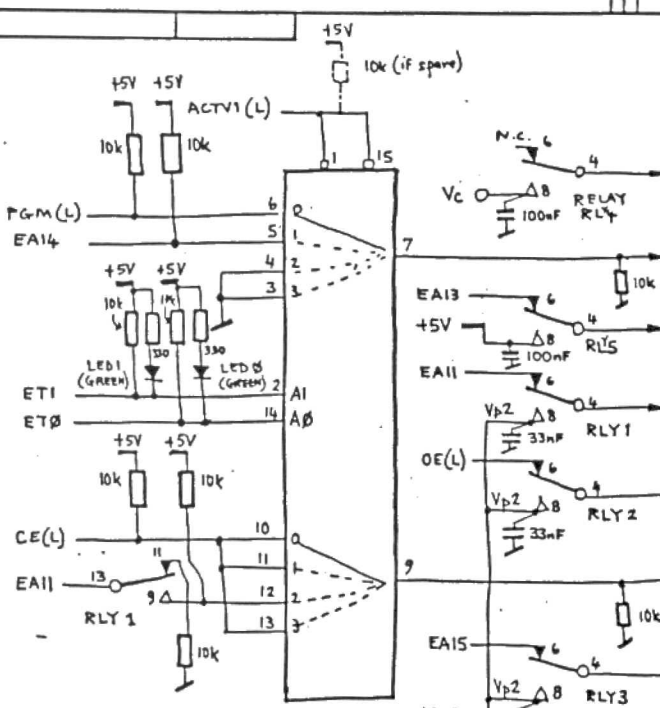


16/4/87	RD0AT SWN	Drawn	DMP	<b>Greenbank Electronics</b>
		Date	4-4-86	
		Scale		
				PGM-1
				ADDRESS, DATA LATCHES, BUFFER FOR EPROM
				4

RLY 4,5 connection prevents Vpp from being applied if both RLY Vcc are absent, since this would certainly break EEPROM. 3V9 Zener arrangement forces Vp2 low if Vc is low - for safety



Drawn	DMP	<b>Greenbank Electronics</b>
Date	8-4-86	
Scale		
		PGM-1 VPP SWITCH, CONTROL, TYPE, VOLTAGE LATCHES
		5



PIN NO	2516, 2532, 2716	2532A	2732	2564	2764	27128	27256	27512	CONNECTOR
EPIN 28	-	-	-	{ WANTS Vcc } { GETS N.C. }	Vcc	Vcc	Vcc	Vcc	
EPIN 27	-	-	-	{ WANTS CE } { GETS OV } PGM	PGM	PGM	A14	A14	
EPIN 26	Vcc	Vcc	Vcc	Vcc	N.C.	A13	A13	A13	
EPIN 23	Vpp	Vpp	All	{ WANTS A11 } { GETS A11 }	All	All	All	A4	
EPIN 22	OE	PD/PGM	OE/Vpp	PD/PGM	OE	OE	OE	OE/Vpp	
EPIN 20	CE/PGM	All	CE/PGM	{ WANTS A11 } { GETS CE }	CE	CE	CE	CE	
EPIN 2	-	-	-	{ WANTS CE } { GETS A12 }	A12	A12	A12	A12	
EPIN 1	-	-	-	Vpp	Vpp	Vpp	Vpp	A15	

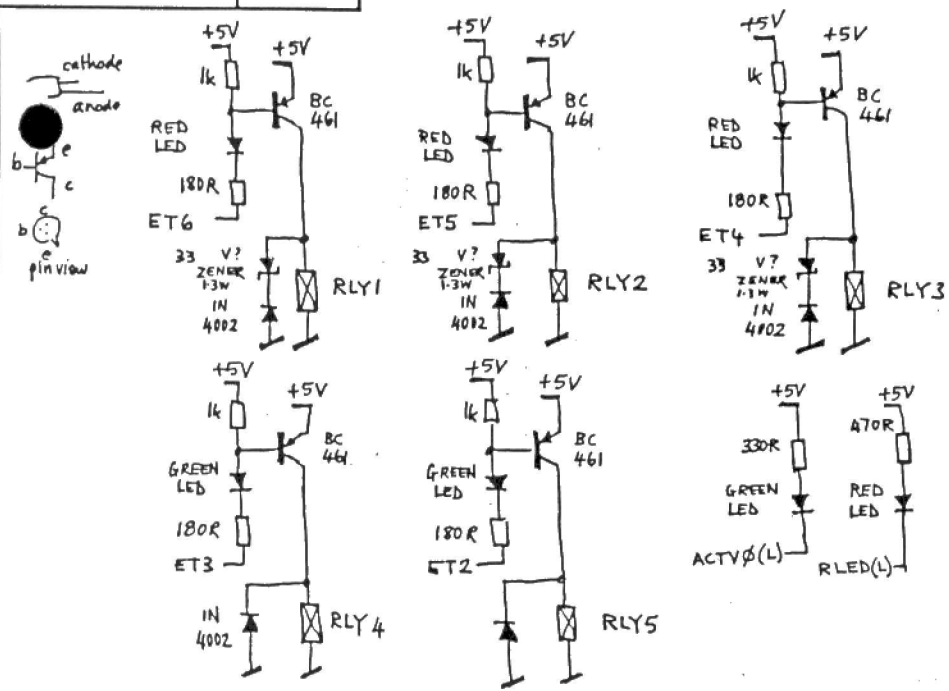
ET1	ET0	EPROM TYPES
0	0	2516, 2716, 2732, 2764, 27128
0	1	27256, 27512
1	0	2532
1	1	2564

3 x 33nF on Vp = 100nF but distributed.

NOTES ON 2564

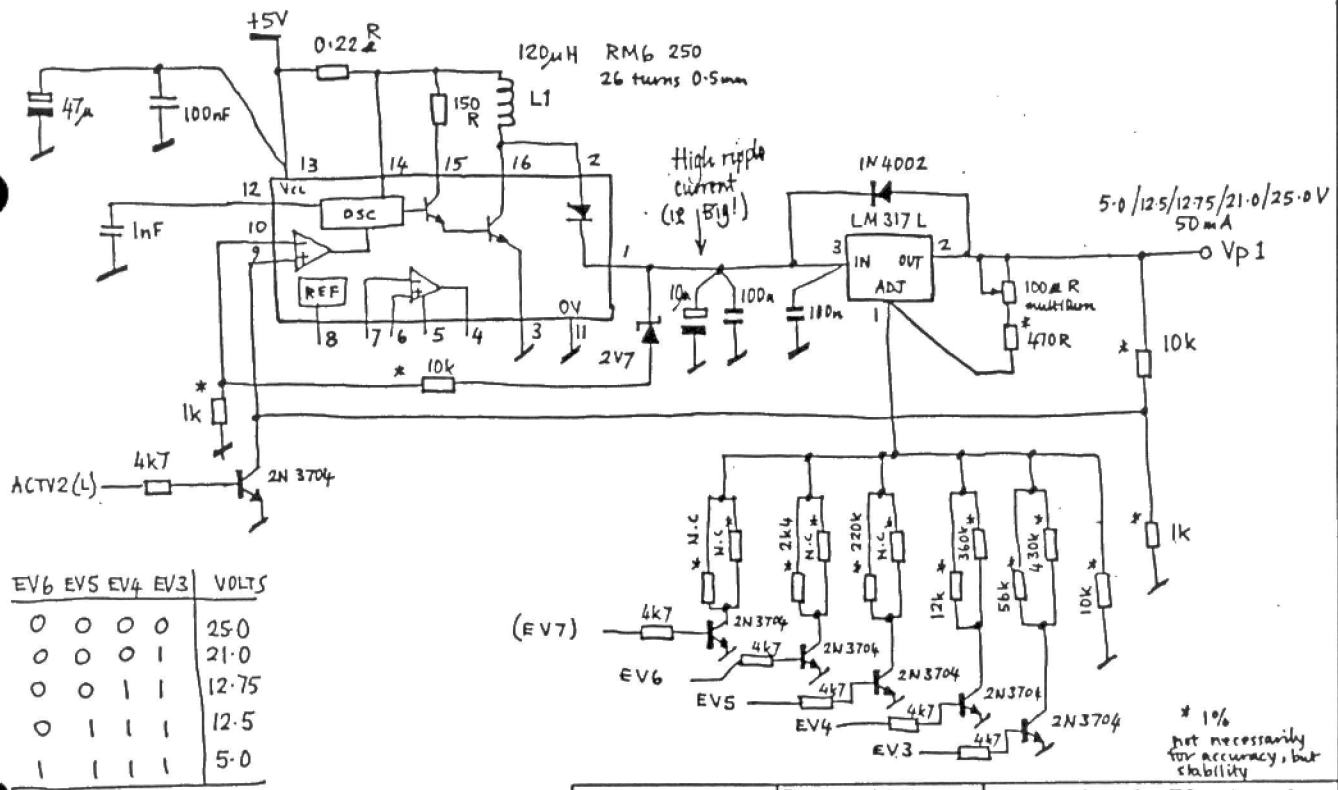
PIN NO	WANTS	GETS	COMMENT
27	CE	OV	D.K.
23	A12	All	} THESE 3 REQUIRE SCRAMBLING IN SOFTWARE
20	All	CE(L)	
2	CE	A12	

Drawn	DMP	<b>Greenbank Electronics</b>
Date	9-4-86	
Scale		
		PGM-1 CONTROL SIGNAL MULTIPLEXOR
		6



(The Zener diode in the RLY1,2,3 circuit allows these relays to turn off more quickly than RLY4,5, and thus avoid leaving Vpp connected while Vcc is absent, if a sudden power down occurs.)

Drawn DMP	Greenbank Electronics
Date 9-4-86	
Scale -	
	PGM-1. RELAYS, LEDS
	7



Drawn DMP	Greenbank Electronics
Date 8-4-86	
Scale -	
	Vpp SUPPLY
	8

