

1

2

3

4

5

6

A

B

C

D

E

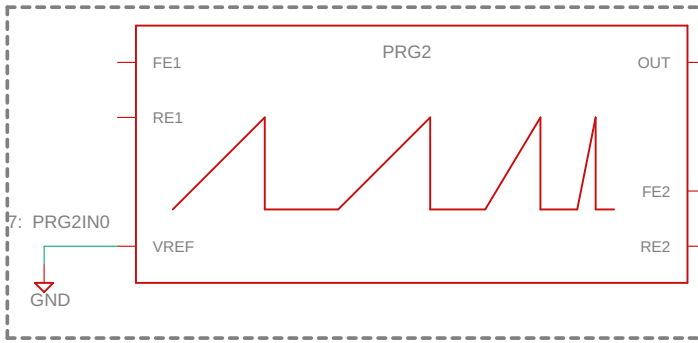
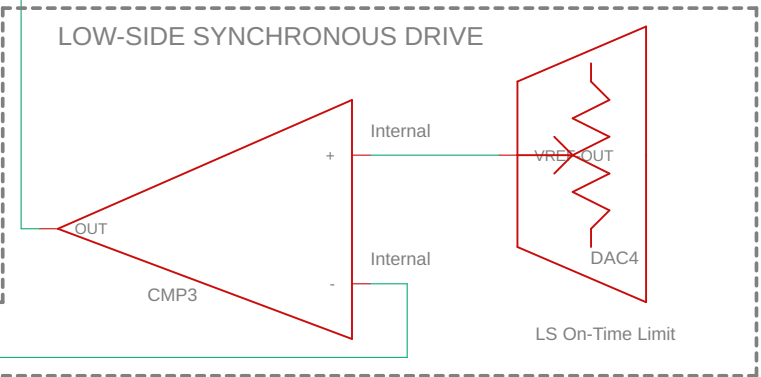
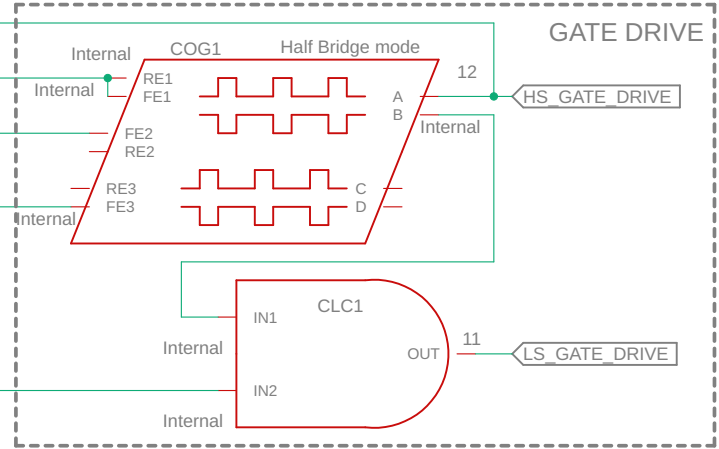
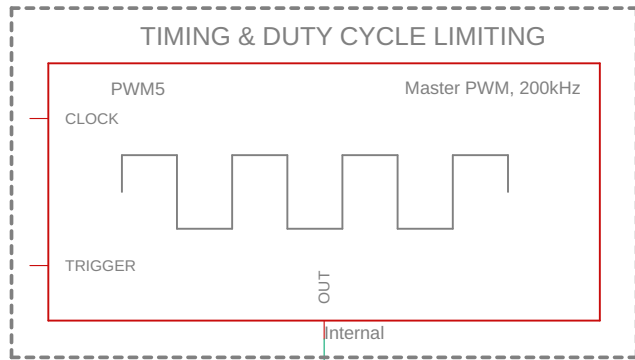
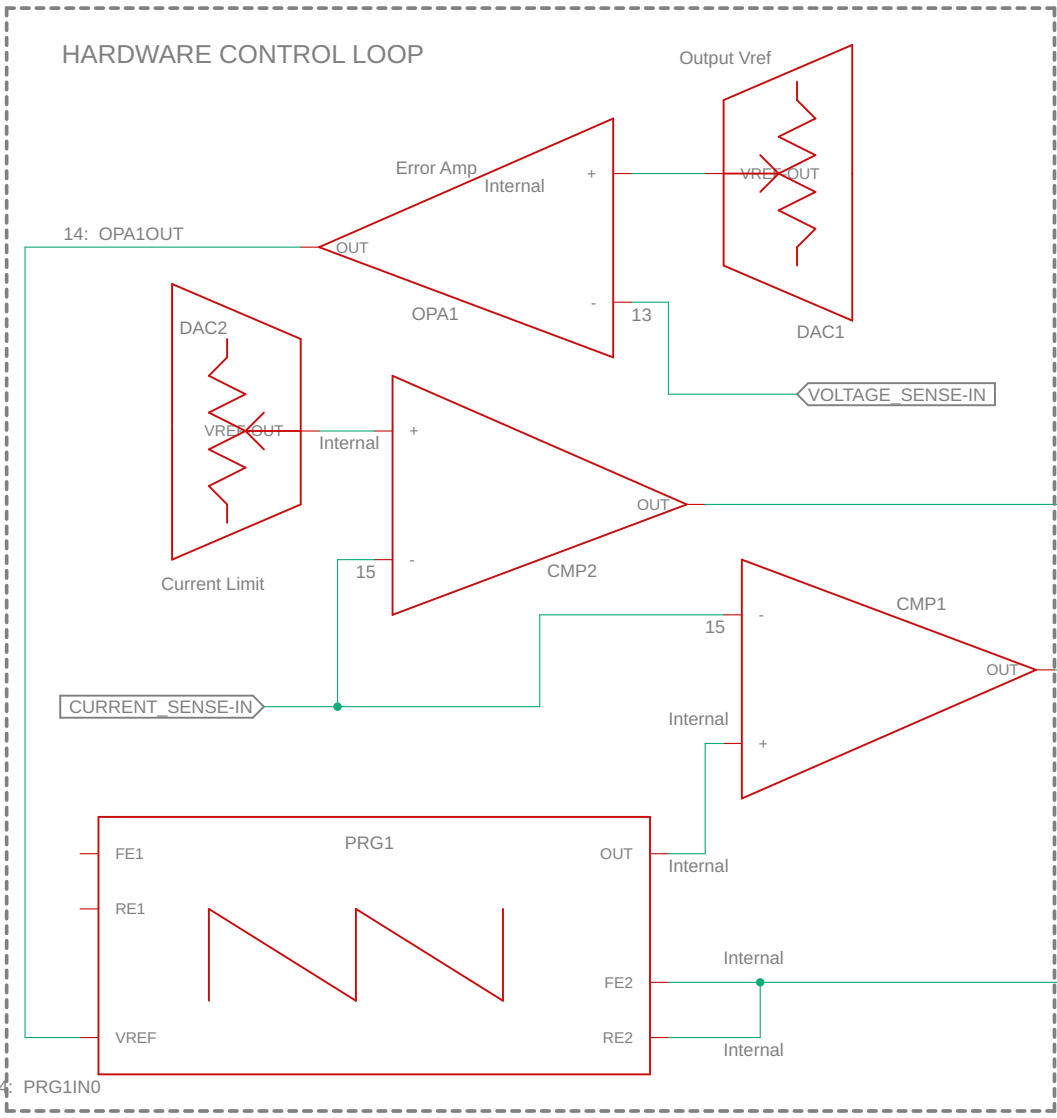
A

B

C

D

E



12V PV MPPT charger peripheral config for control loop & low-side synchronous drive using PIC16F1769.
Copyright (c) 2019, Brian Cornell.

TITLE: mpptproto-config-191030

Document Number: hwr190613 **REV:** 2

Date: 10/30/19 7:51 PM **Sheet:** 1/1