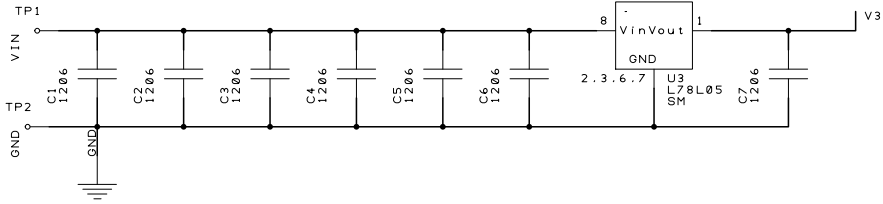
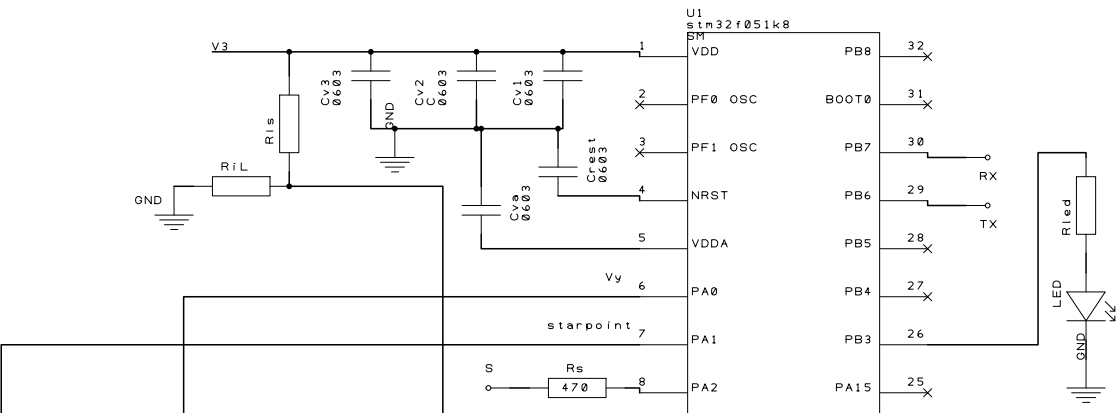


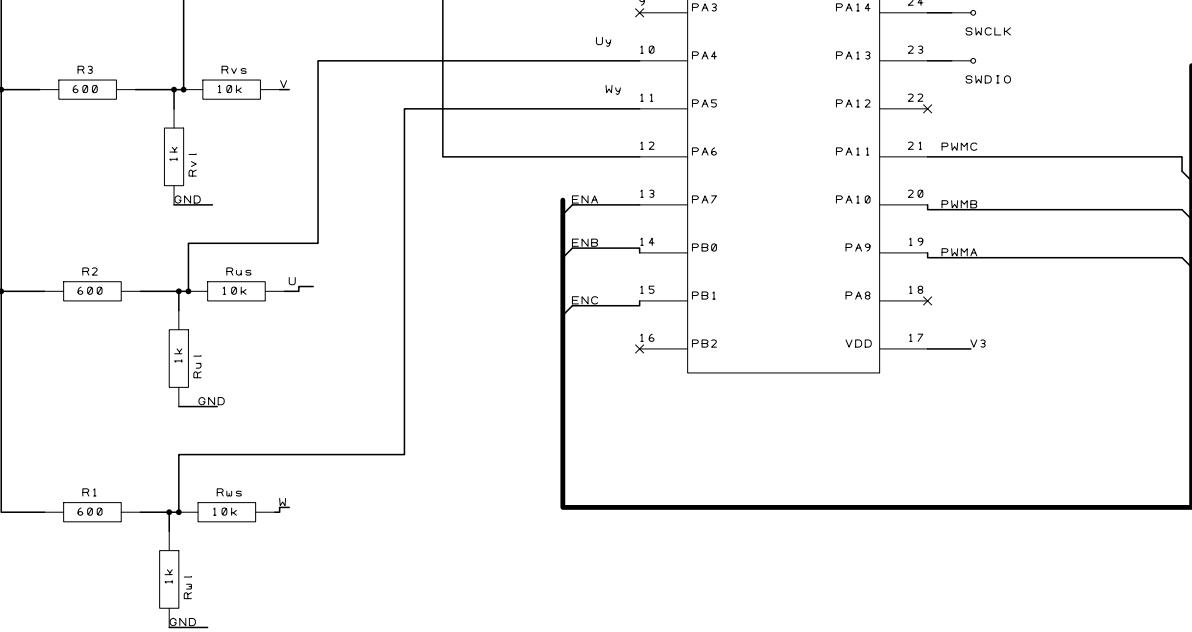
1



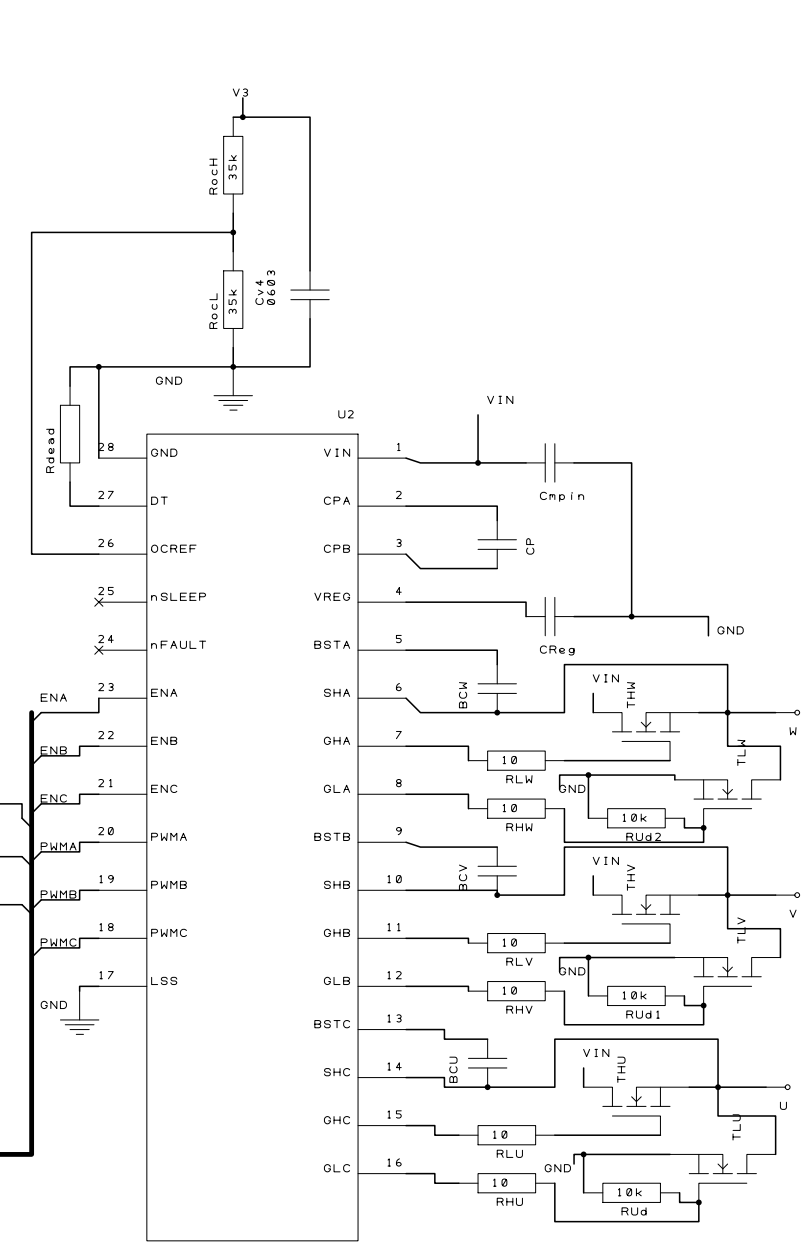
2



3



4



SHEET: Page1
 PROJECT: HiCuDrive
 DRAWING TITLE: Schematic ESC 30A BLHelix-32 RW, RC 2-4S Oneshot125
 DATE: 8 Nov 2019
 STATUS: done
 VERSION: 01