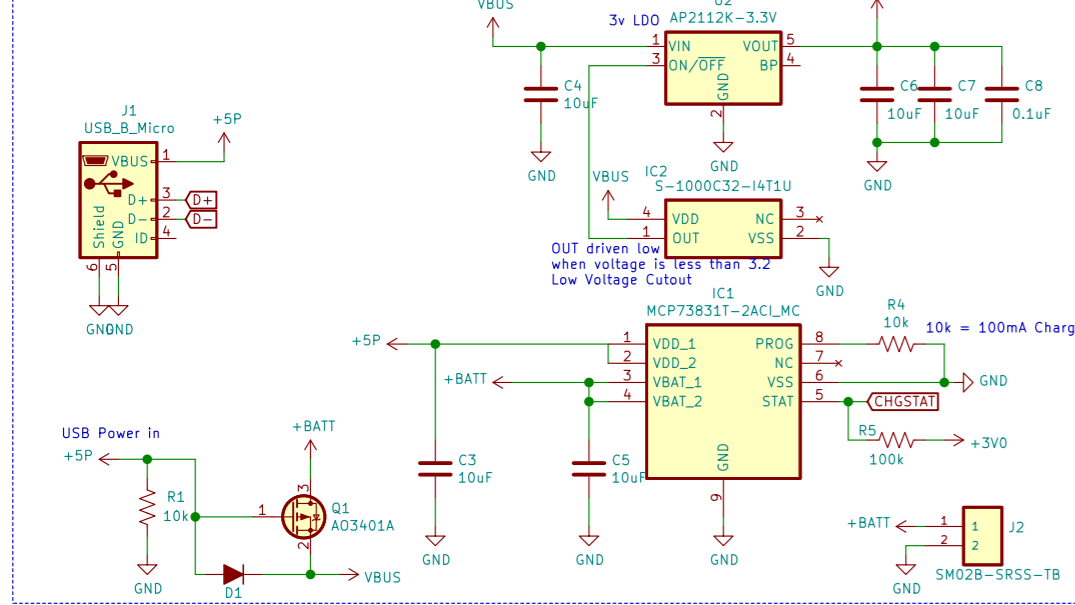
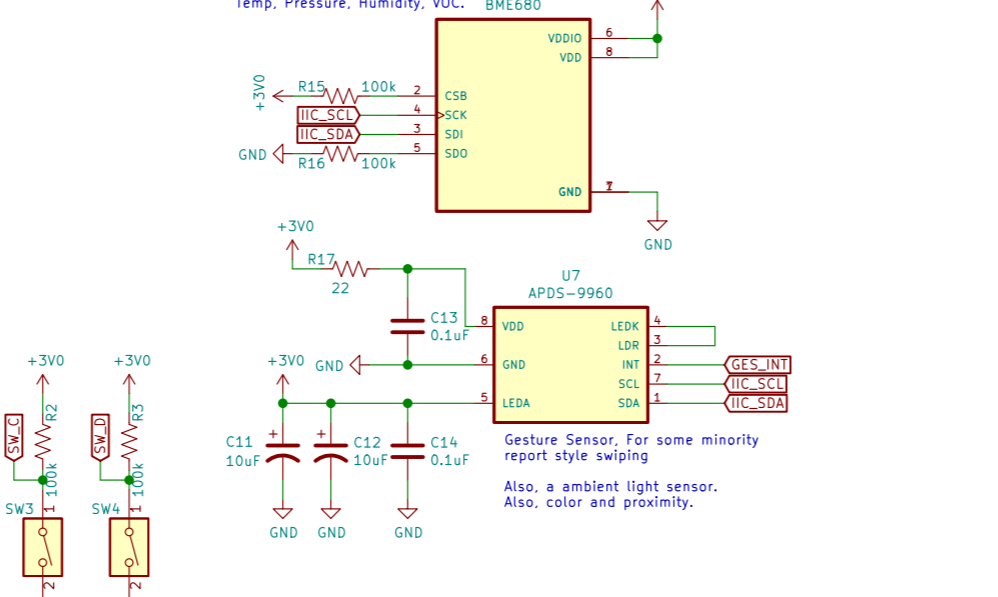


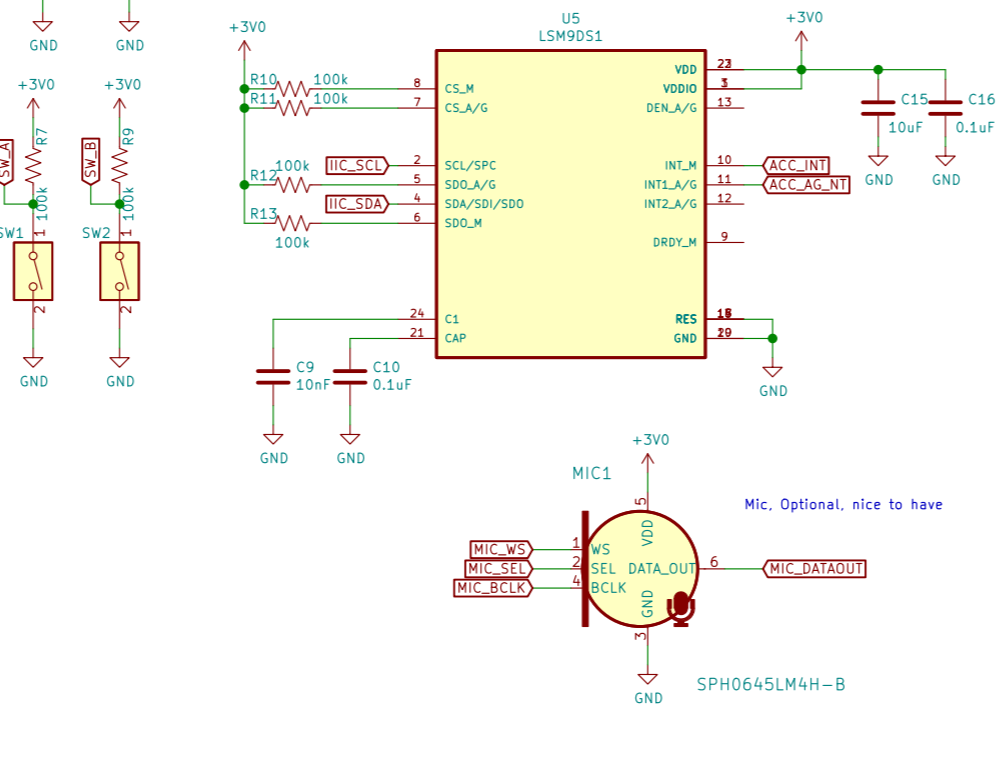
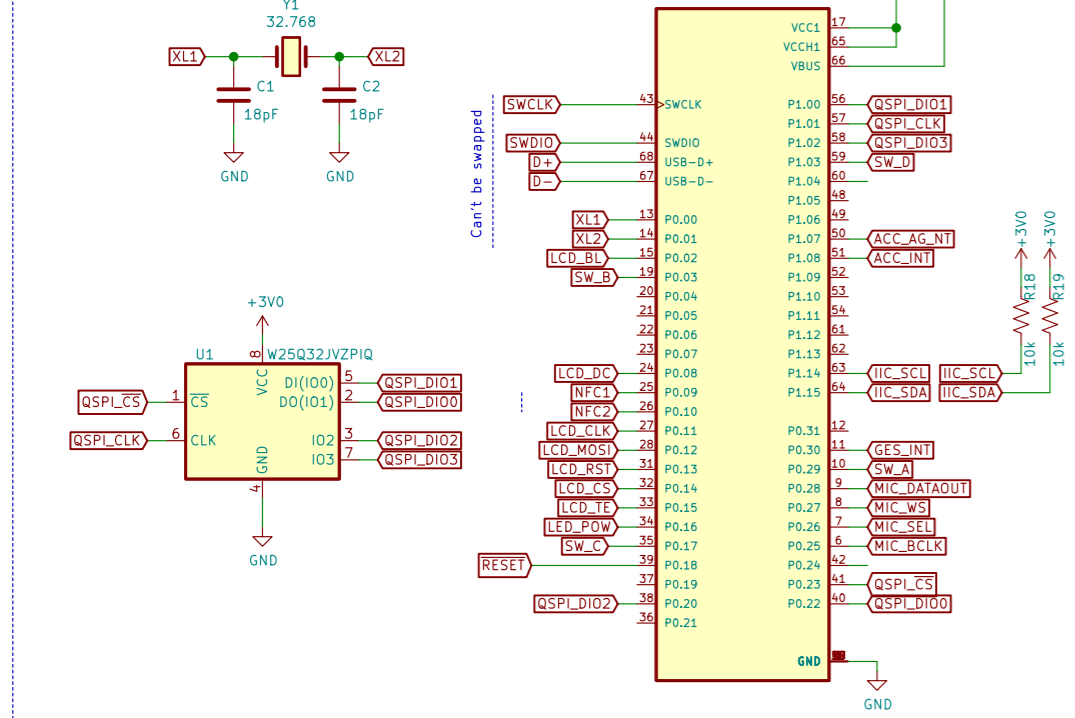
Power and Battery



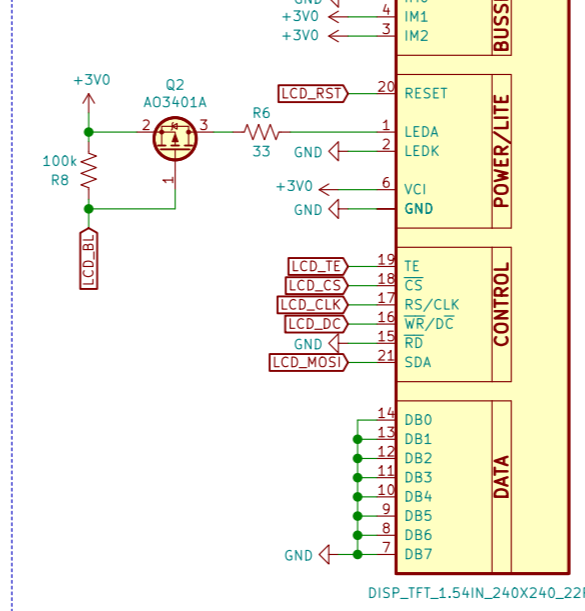
Sensors



SOC and FLASH



LCD



Testpoints

