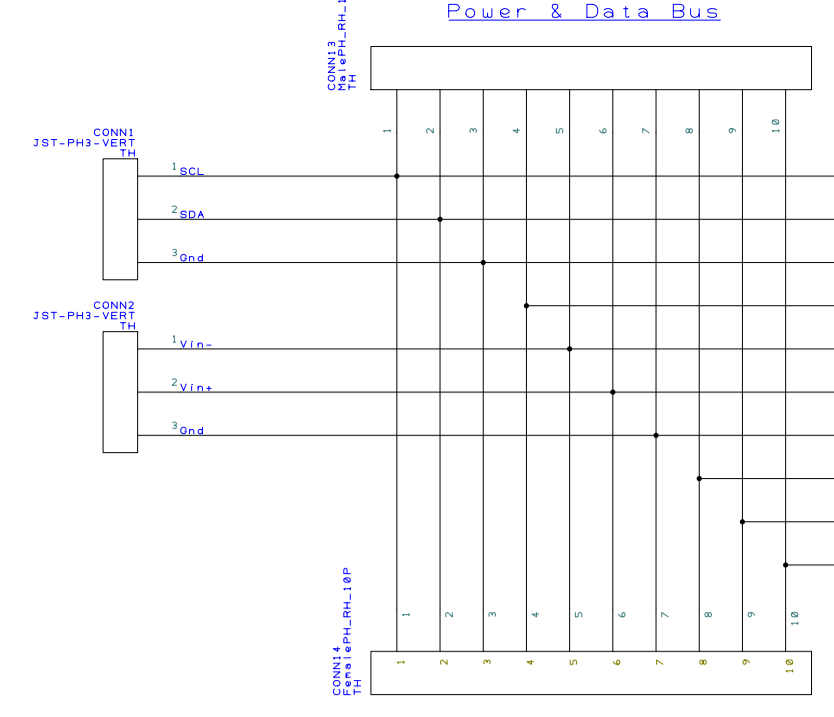
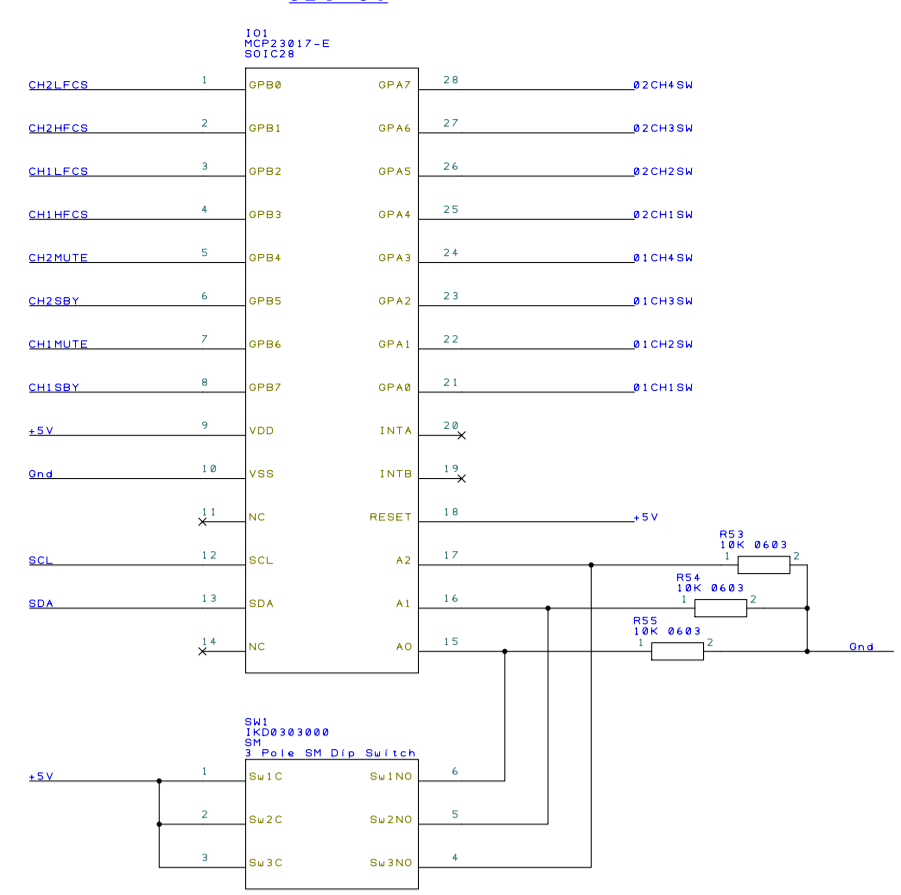
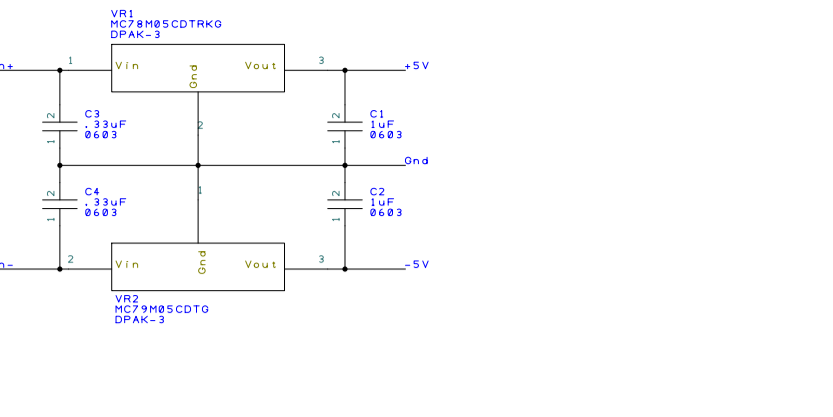
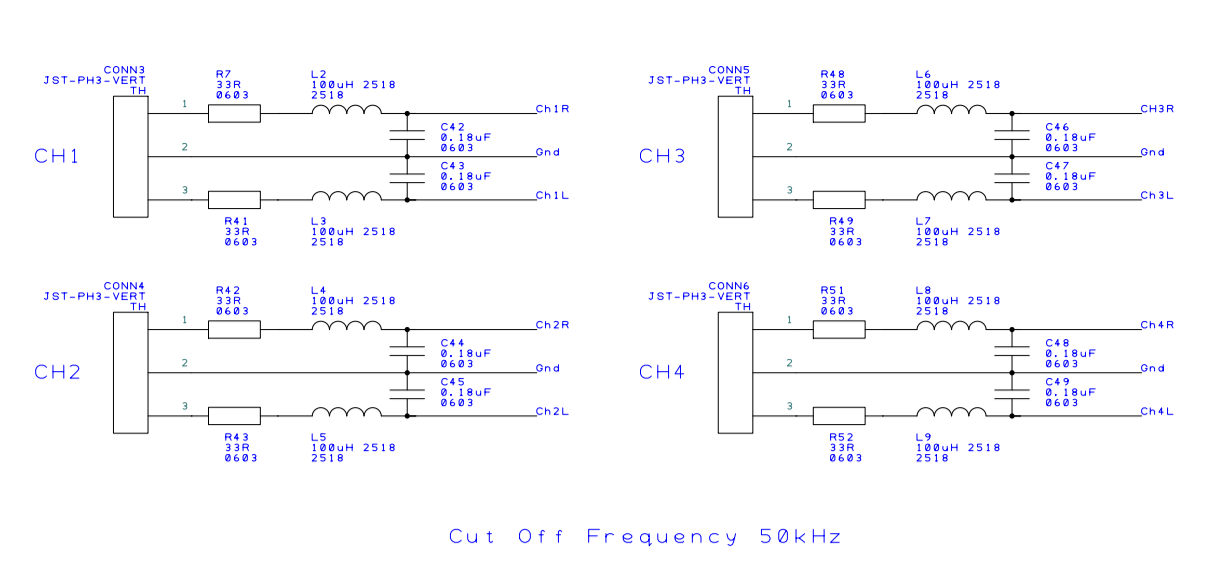


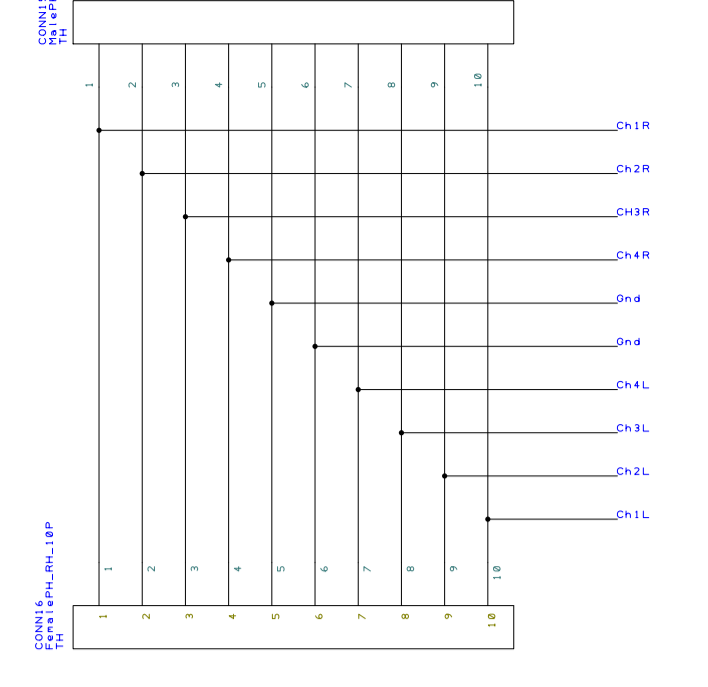
Power Supply Regulation



Audio Inputs

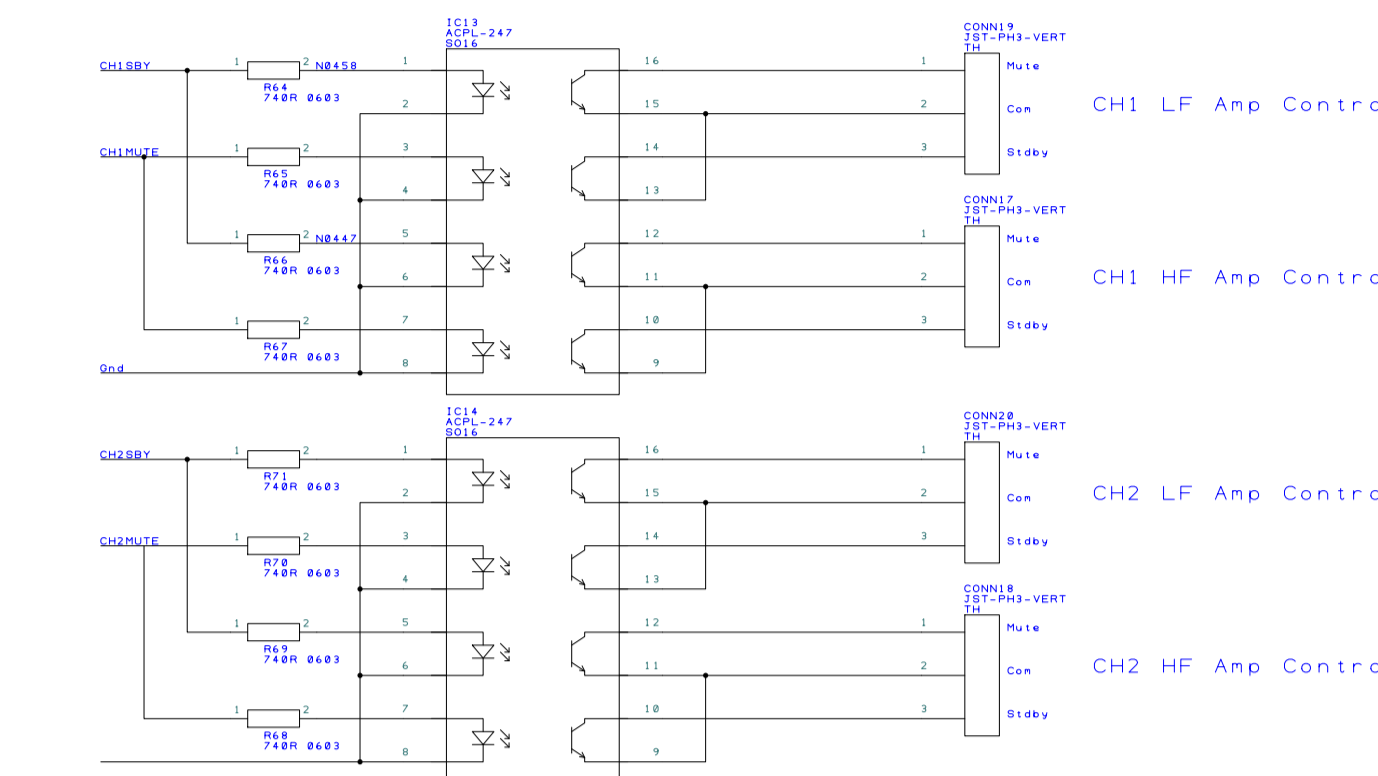
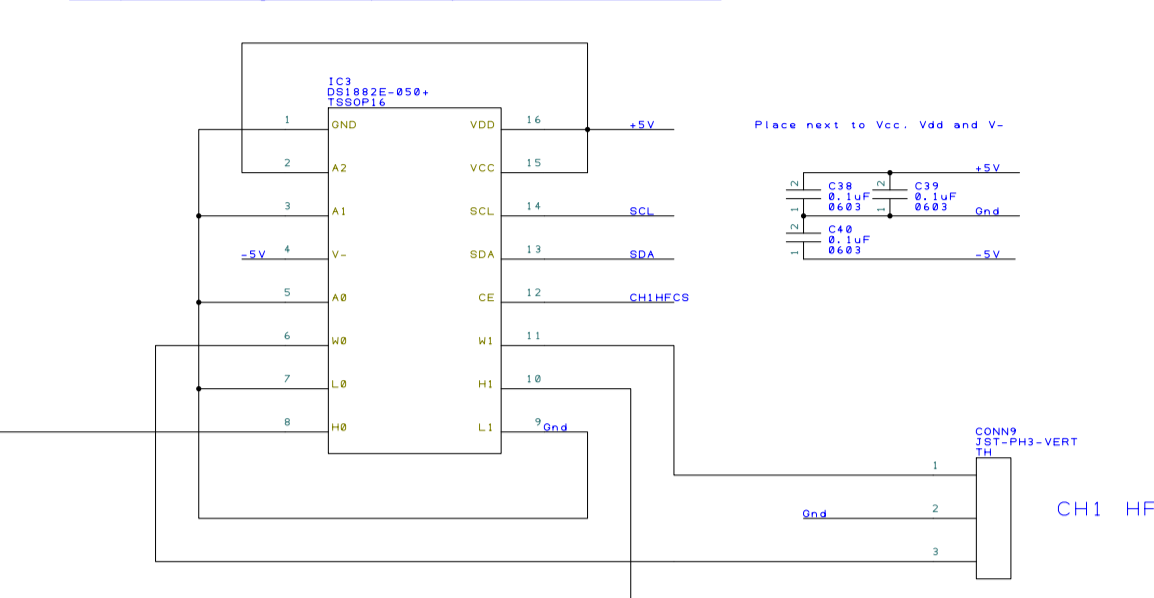


Audio Bus

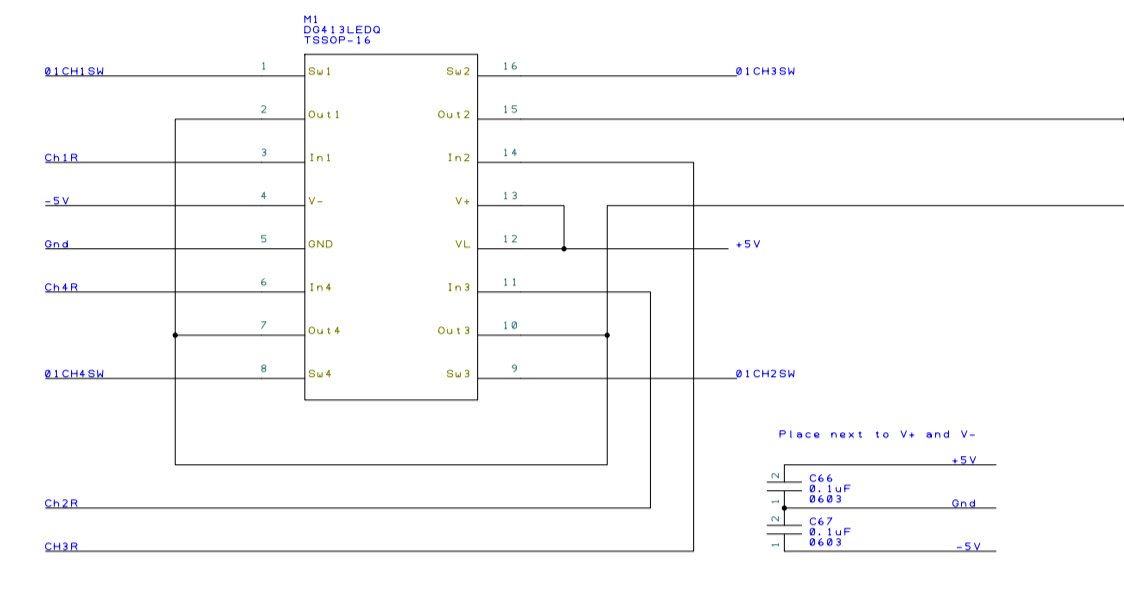


Notes:
Susp in 2 & 3 to analogue switches
Susp enable 2 & 3 to analogue switches
to accomodate correction to symbol
Make changes to PCB to suit

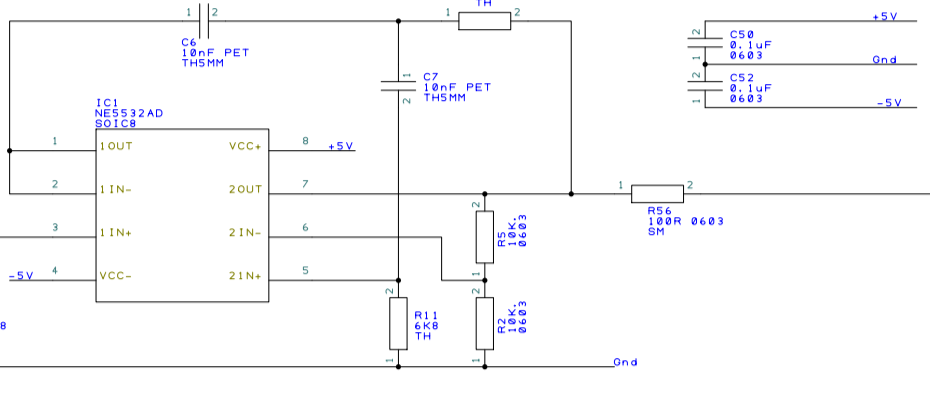
Output 1 High Frequency Volume Control



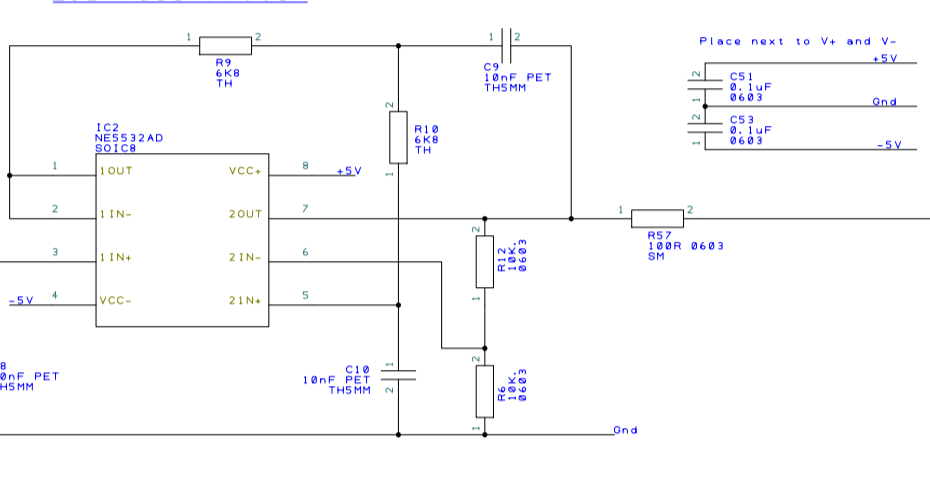
Output 1 Right Input Select



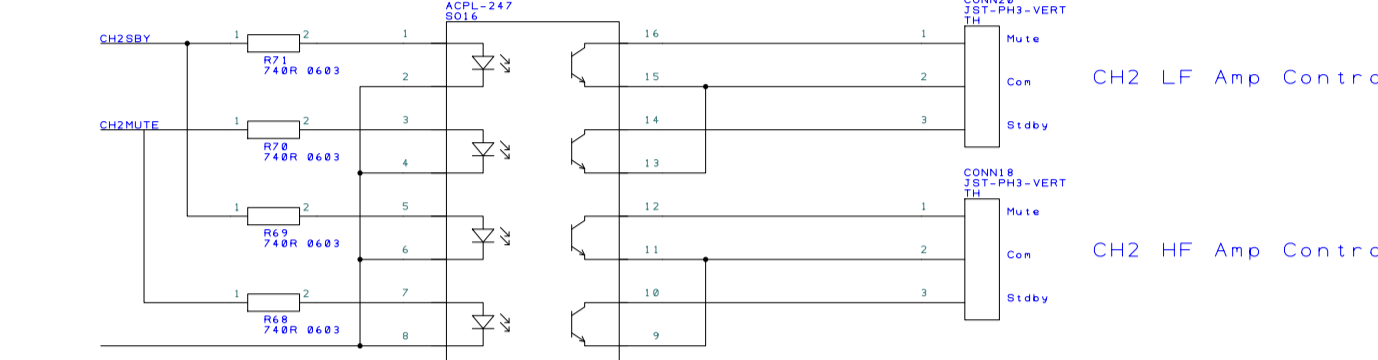
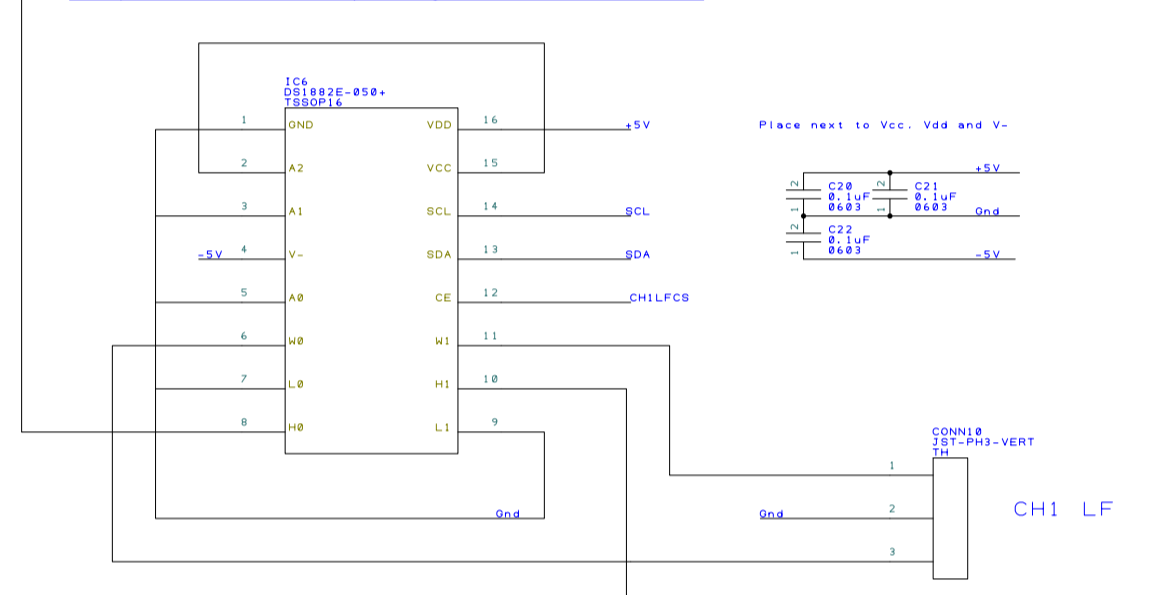
High Pass Filter



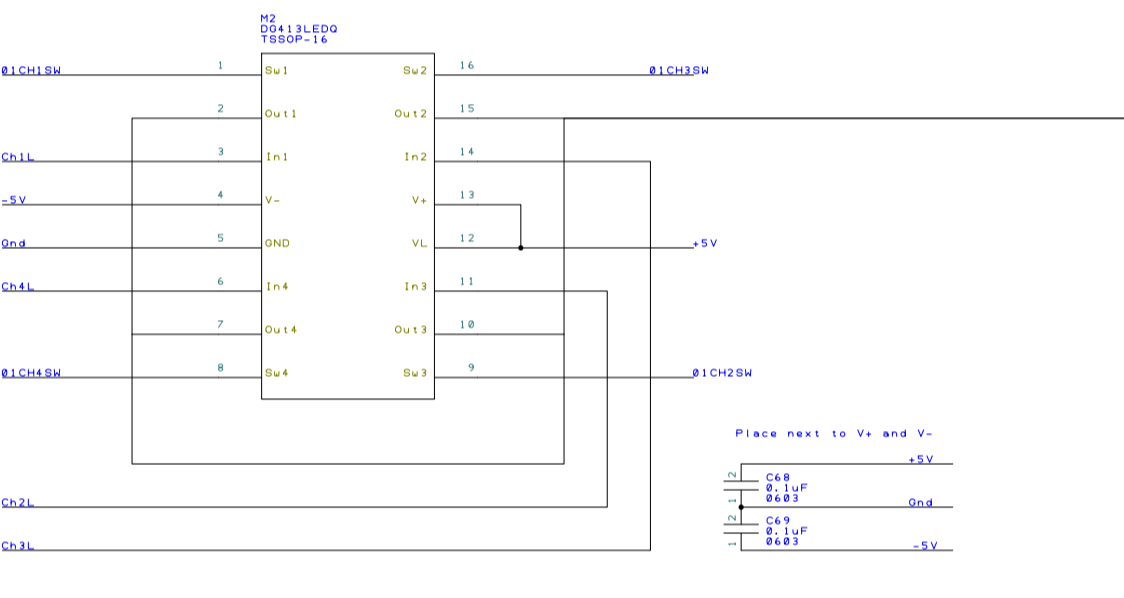
Low Pass Filter



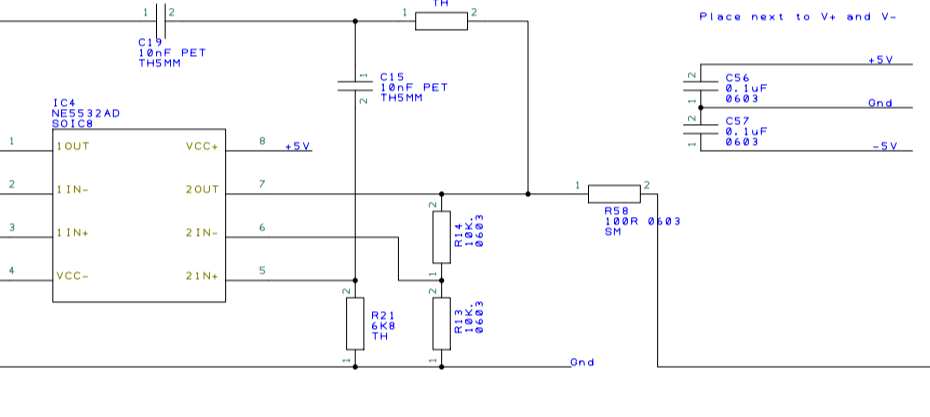
Output 1 Low Frequency Volume Control



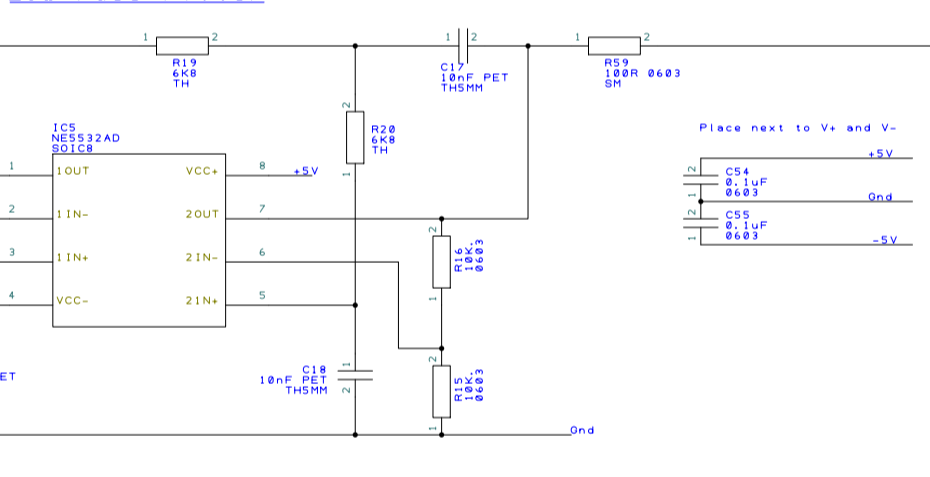
Output 1 Left Input Select



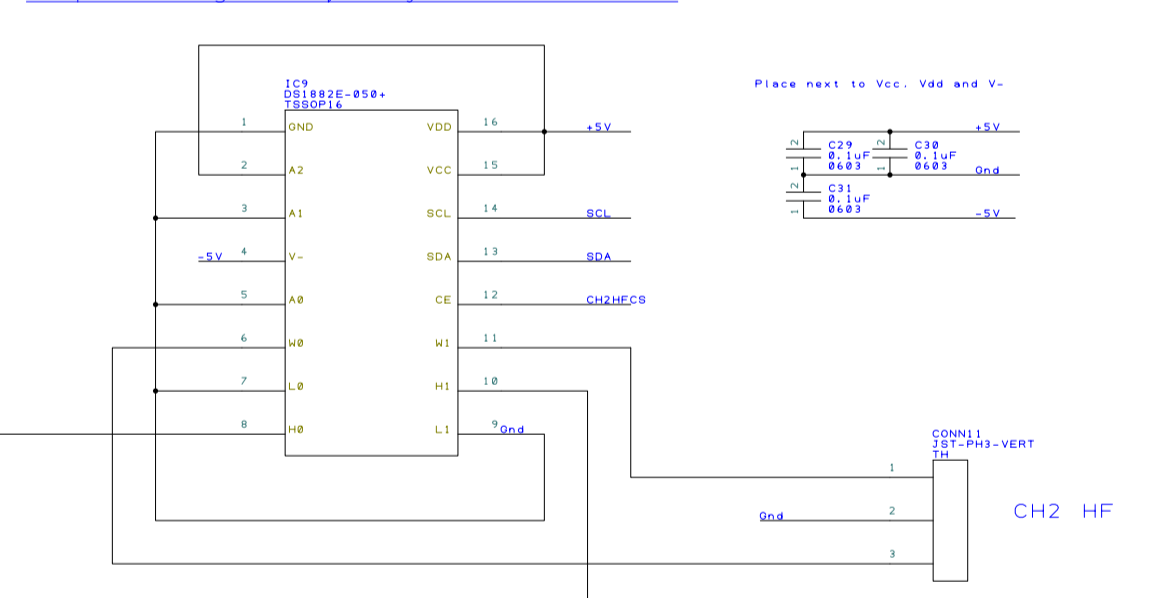
High Pass Filter



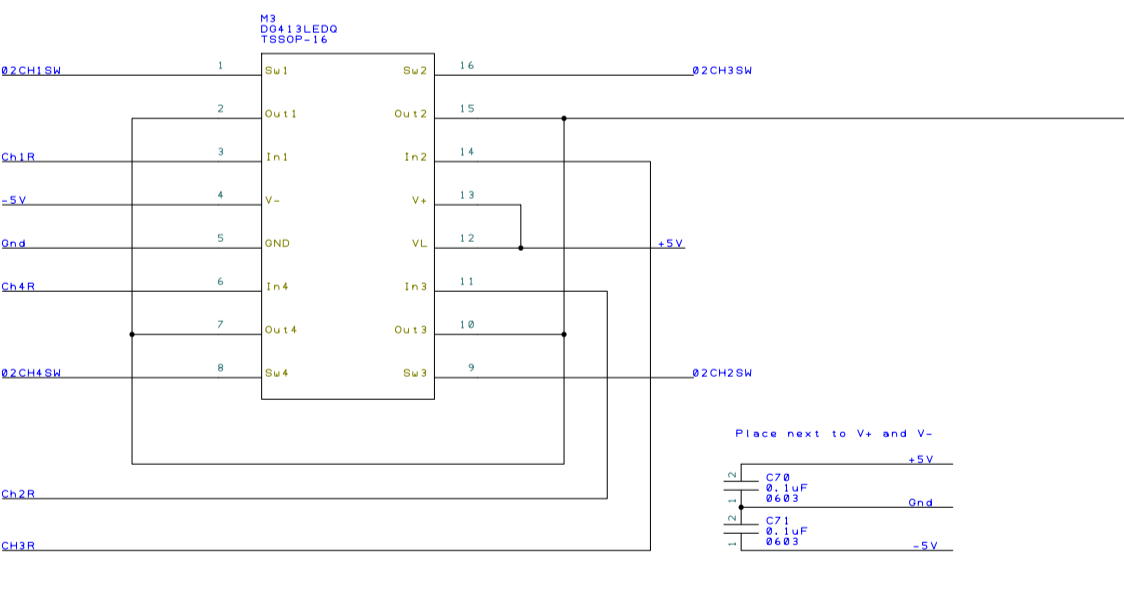
Low Pass Filter



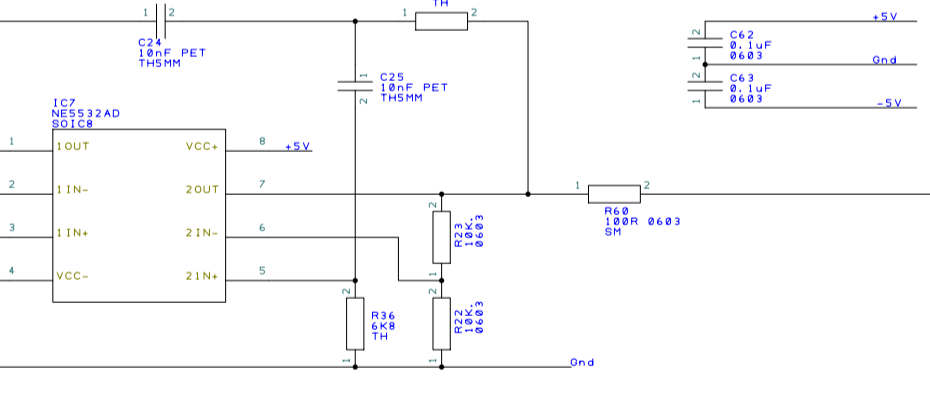
Output 2 High Frequency Volume Control



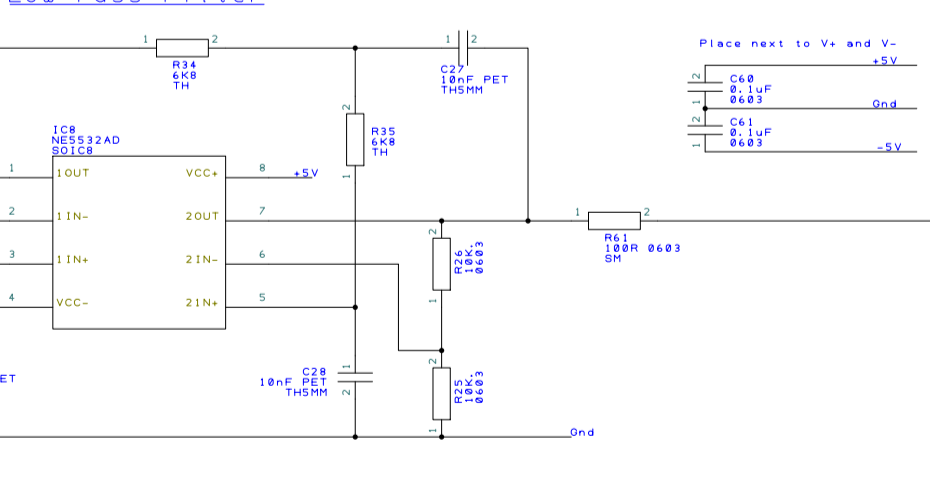
Output 2 Right Input Select



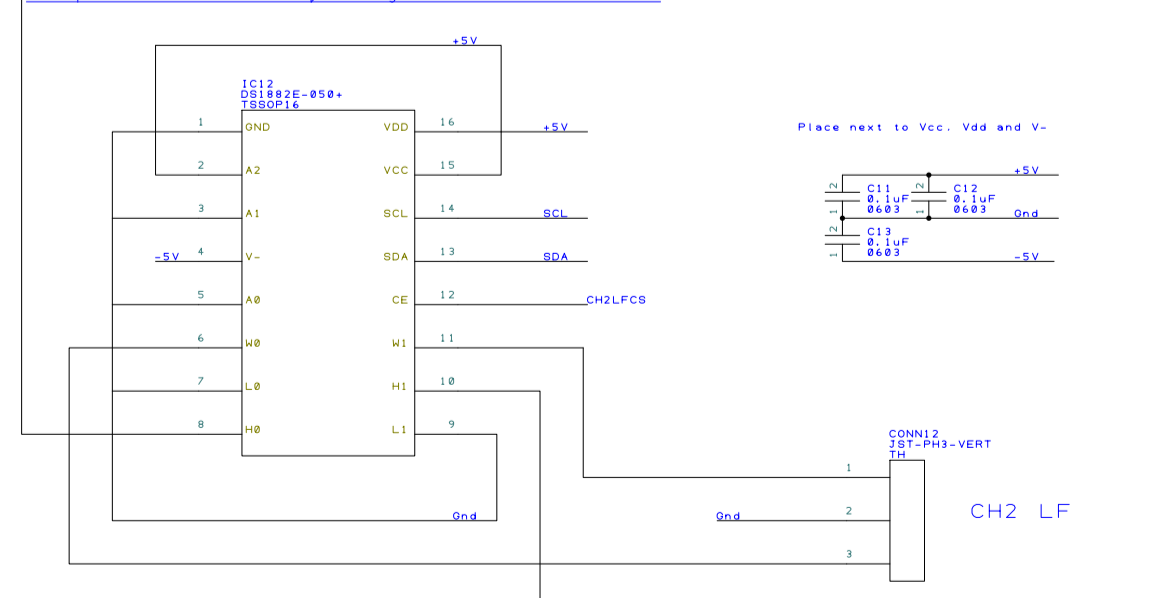
High Pass Filter



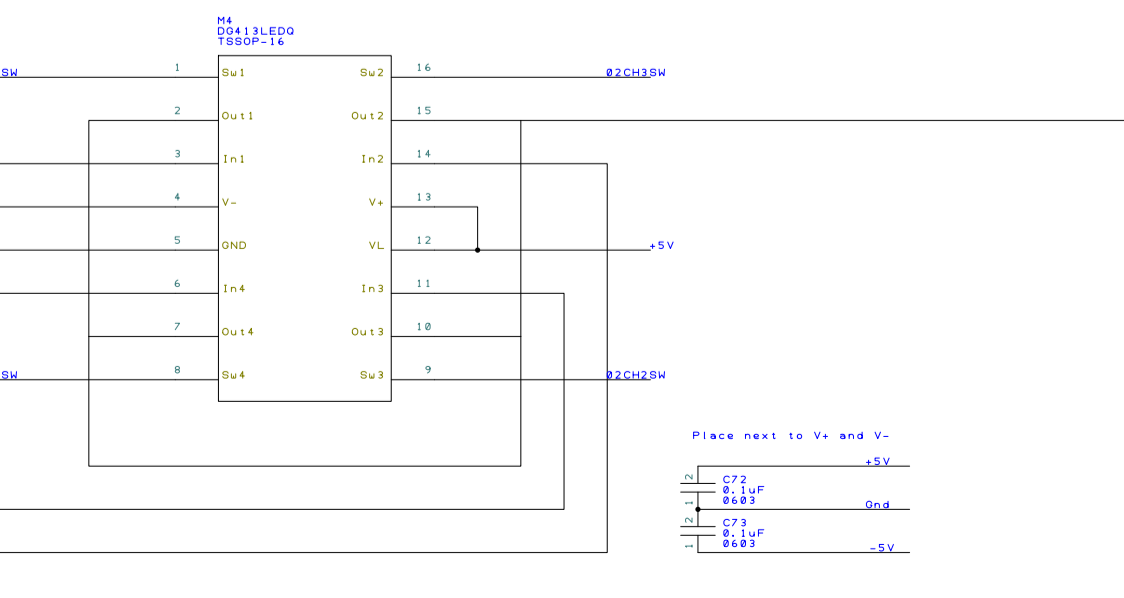
Low Pass Filter



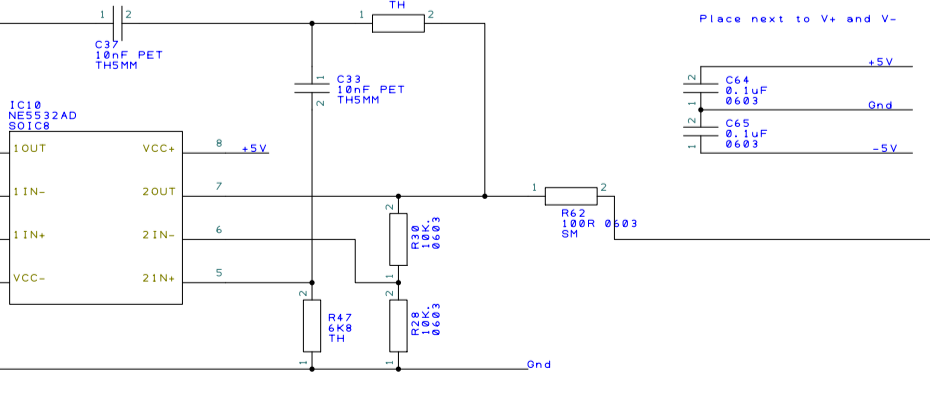
Output 2 Low Frequency Volume Control



Output 2 Left Input Select



High Pass Filter



Low Pass Filter

