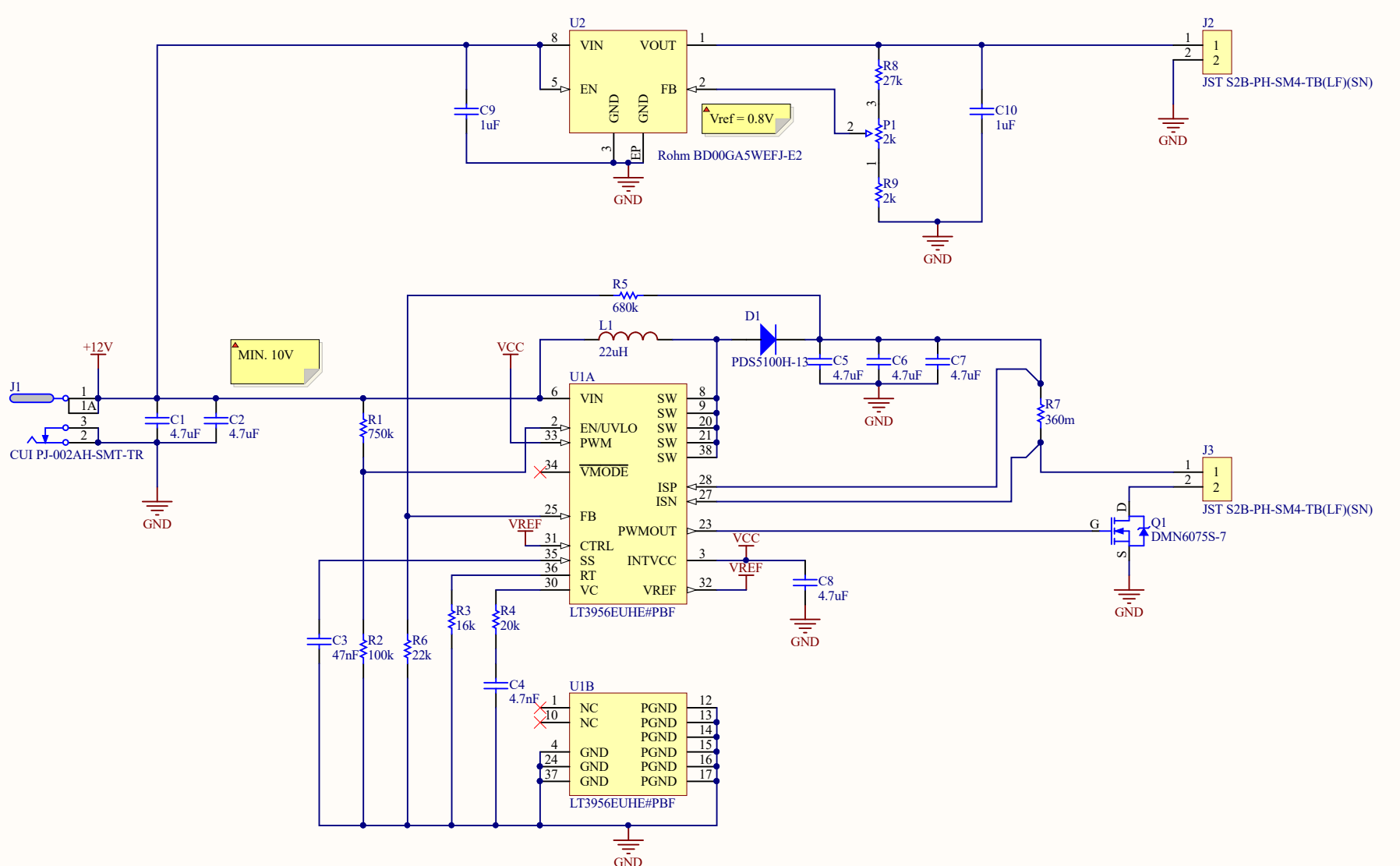


Comment	Description	Designator	Footprint	LibRef	Quantity
4.7uF	Cap Ceramic 4.7uF 50V X7R 10% SMD 1206 125°C Embossed T/R	C1, C2, C5, C6, C7	PCB-3t3g57po1bpumlt7kbj8-1	CMP-5c2a9416c35883ed-1	5
47nF	CAP CER 0.047UF 50V 10% X7R 0603	C3	CAPC1608X90X35ML10T15	CMP-130785-3	1
4.7nF	CAP CER 4700PF 50V 10% X7R 0603	C4	CAPC1608X90X35LL15T15	CMP-126297-2	1
4.7uF	C Series 0805 4.7 uF 25 V ± 10 % Tolerance X7R SMT Multilayer Ceramic Capacitor	C8	CAPC2013X135X45LL10T25	CMP-f14e39c824782e89-1	1
1uF	C Series 0603 1 uF 50 V ± 10 % Tolerance X5R SMT Multilayer Ceramic Capacitor	C9, C10	CAPC1608X06L	CMP-1425dca4dcbdcbe2-3	2
PDS5100H-13	PDS5100 Series 100 V 5 A Schottky Barrier Rectifier Surface Mount - POWERDI-5	D1	PCB-082zcejgeiop0rygzzne-1	CMP-45a48cab73c69a63-2	1
CUI PJ-002AH-SMT-TR	2.0 x 6.5 mm, 5.0 A, Horizontal, Surface Mount (SMT), Dc Power Jack Connector	J1	PCB-CUI-PJ-002AH-SMT	CMP-4734335-11	1
JST S2B-PH-SM4-TB(LF)(SN)	2 Positions Header, Shrouded Connector 0.079" (2.00mm) Surface Mount, Right Angle Tin	J2, J3	JSTPH2	CMP-642996-13	2
22uH	Ind Power Shielded Wirewound 22uH 20% 100KHz Ferrite 3.7A T/R	L1	PCB-p7qgn6xpp85ekyn95b9o-1	CMP-5b28912f644784ef-1	1
2k	TRIMMER 2K OHM 0.1W J LEAD TOP	P1	PCB-ne6rw0x9i3xi9x1x1sl4-1	CMP-1996d09d2826c651-1	1
DMN6075S-7	Trans MOSFET N-CH 60V 2.5A Automotive 3-Pin SOT-23 T/R	Q1	PCB-r0tfaebvmtpf2duzb9gn-1	CMP-a73e6d65638278f9-3	1
750k	RES SMD 750K OHM 1% 1/10W 0603	R1	RESC1608X55X25LL10T15	CMP-1853418-2	1
100k	Thermistor NTC 100K Ohm 5% 2-Pin 0603 Surface Mount Solder Pad 4311K T/R	R2	PCB-otb3aeq5k815x2e8cuid-1	CMP-45088c0900a99acf-1	1
16k	Thin Film Resistors - SMD 0603 1/10W 16Kohms	R3	RESC1608X55X30NL20T20	CMP-3718591-2	1
20k	Thin Film Resistors - SMD 20K OHM .1% 25PPM	R4	RESC1608X55X30NL20T20	CMP-3718661-2	1
680k	RES SMD 680K OHM 1% 1/10W 0603	R5	RESC1609X50X30ML10T20	CMP-1873487-2	1
22k	Res Thick Film 0603 22K Ohm 1% 0.1W(1/10W) ±100ppm/C Pad SMD T/R	R6	PCB-6umf12bttk1btn48hitc-1	CMP-1853446-7	1
360m	RES SMD 0.36 OHM 1% 1/2W 1206	R7	RESC3116X70X45ML15T20	CMP-1863197-2	1
27k	Surface Mount Thick Film Resistor, RC Series, 270 kohm, 100 mW, -1%, 50 V, 0603 [1608 Metric]	R8	1608	CMP-d249192505390d8e-2	1
2k	RES SMD 2K OHM 1% 1/4W 0603	R9	CAPC1608X60X35NL10T15	CMP-1859510-3	1
LT3956EUHE#PBF	Constant-Current, Constant-Voltage Converter, 4.5 to 80 V Vin, 80 V Vout MAX, 28-pin QFN (UHE-36-V-UHE28MA), -40 to 125 degC, Pb-Free	U1	LT-UHE-36-V-UHE28MA_V	CMP-1171692-2	1
Rohm BD00GASWEFJ-E2	LDO Regulator Pos 0.8V	U2	PCB-5vekb1hjfd224rijtd	CMP-7c3db41ed581a3fa	1



Title		
Size	Number	Revision
Letter		
Date:	2019-11-09	Sheet of
File:	Schematic.SchDoc	Drawn By: