

Sheet: Clock

Sheet: GPU

Sheet: Address Latch

Sheet: Video

Sheet: RMW Control

File: file5E1BE521.sch

File: file5D7D187C.sch

File: file5D873574.sch

File: file5D8B080B.sch

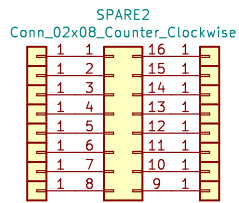
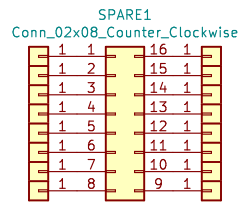
File: file5E975306.sch

Sheet: I/O Connector

Sheet: Monitor Connector

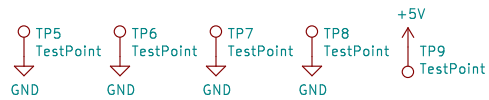
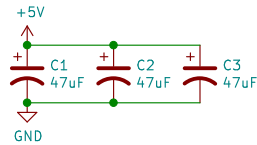
File: file5D820B3D.sch

File: file5D92D903.sch

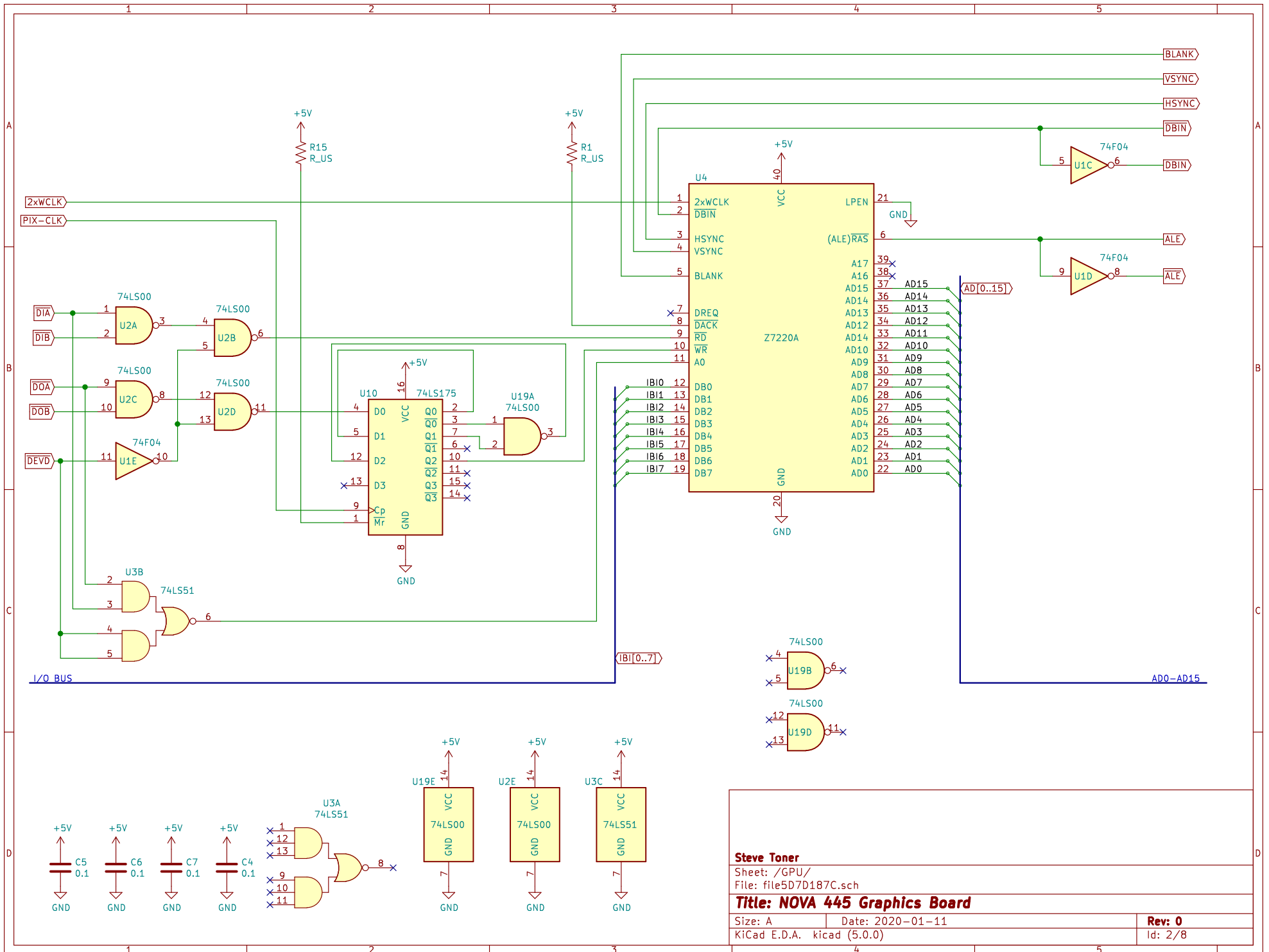


OPERATIONS:
 DOA: Write command to FIFO
 DIA: FIFO read
 DOB: Write parameter to FIFO
 DIB: Read Status register

- MH1 MountingHole
- MH2 MountingHole
- MH3 MountingHole
- MH4 MountingHole



Steve Toner	
Sheet: /	
File: Graphics.sch	
Title: NOVA 445 Graphics Board	
Size: A	Date: 2020-01-11
KiCad E.D.A. kicad (5.0.0)	
Rev: 0	
Id: 1/8	



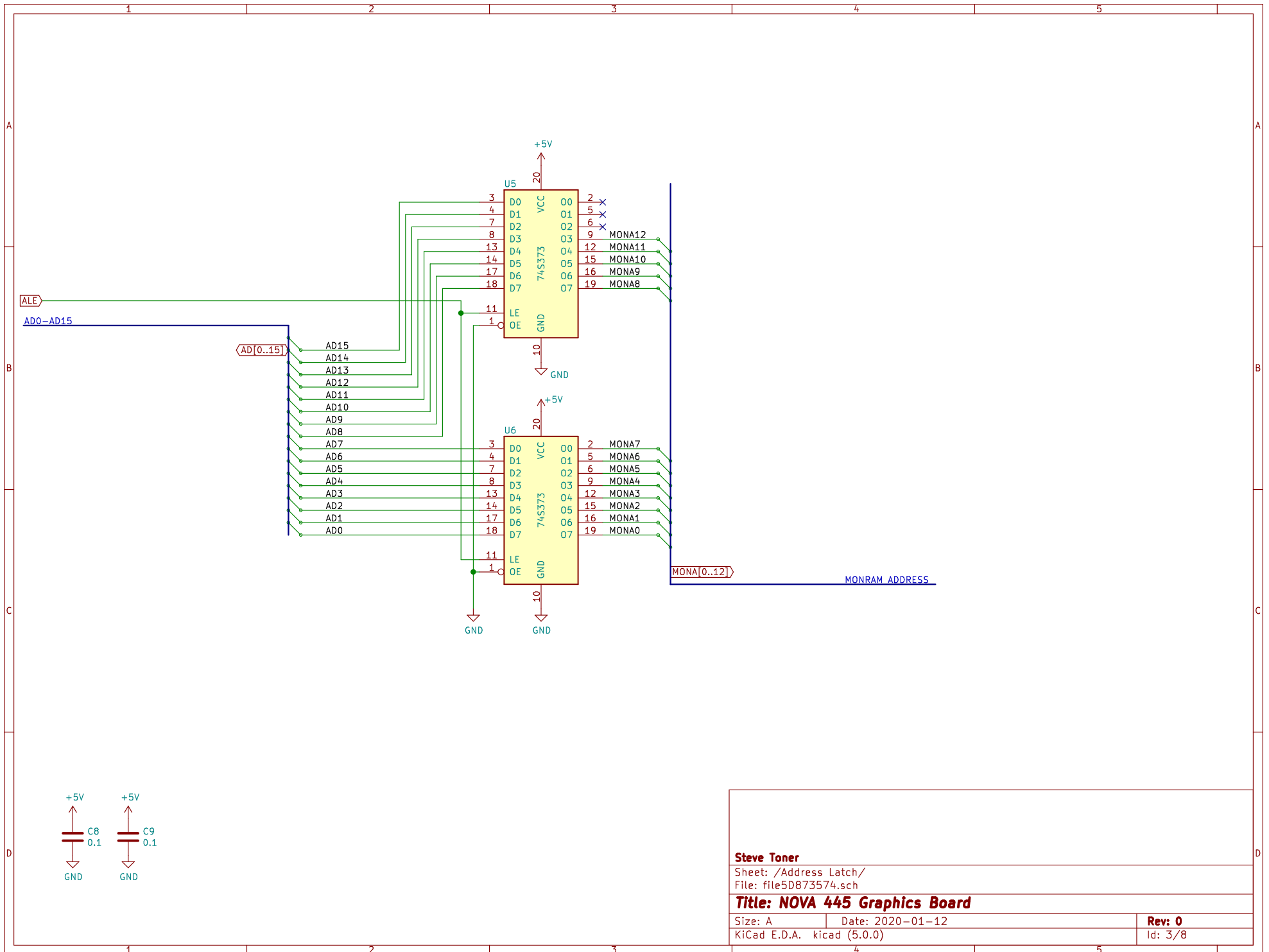
Steve Toner

Sheet: /GPU/
File: file5D7D187C.sch

Title: NOVA 445 Graphics Board

Size: A Date: 2020-01-11
KiCad E.D.A. kicad (5.0.0)

Rev: 0
Id: 2/8



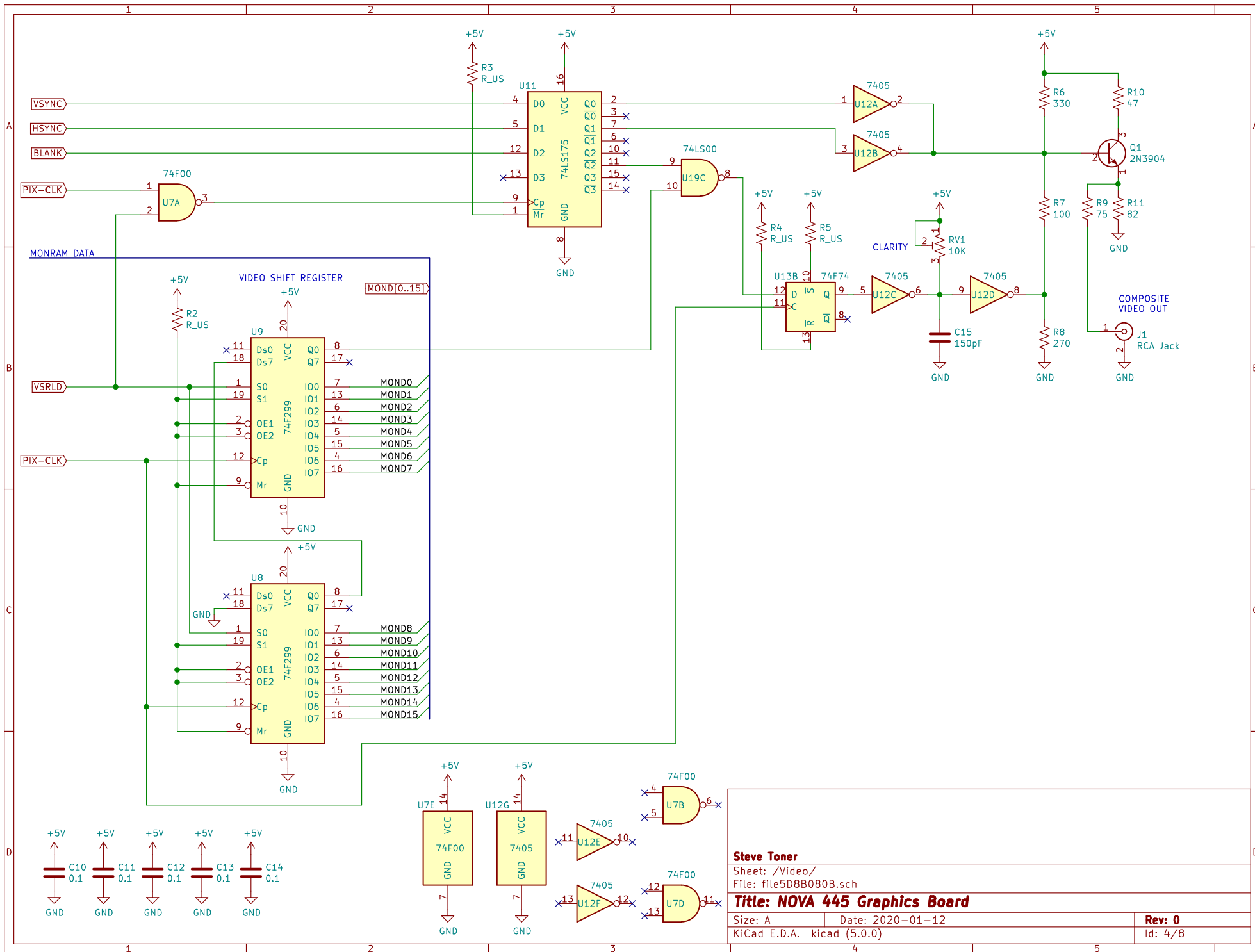
Steve Toner

Sheet: /Address Latch/
File: file5D873574.sch

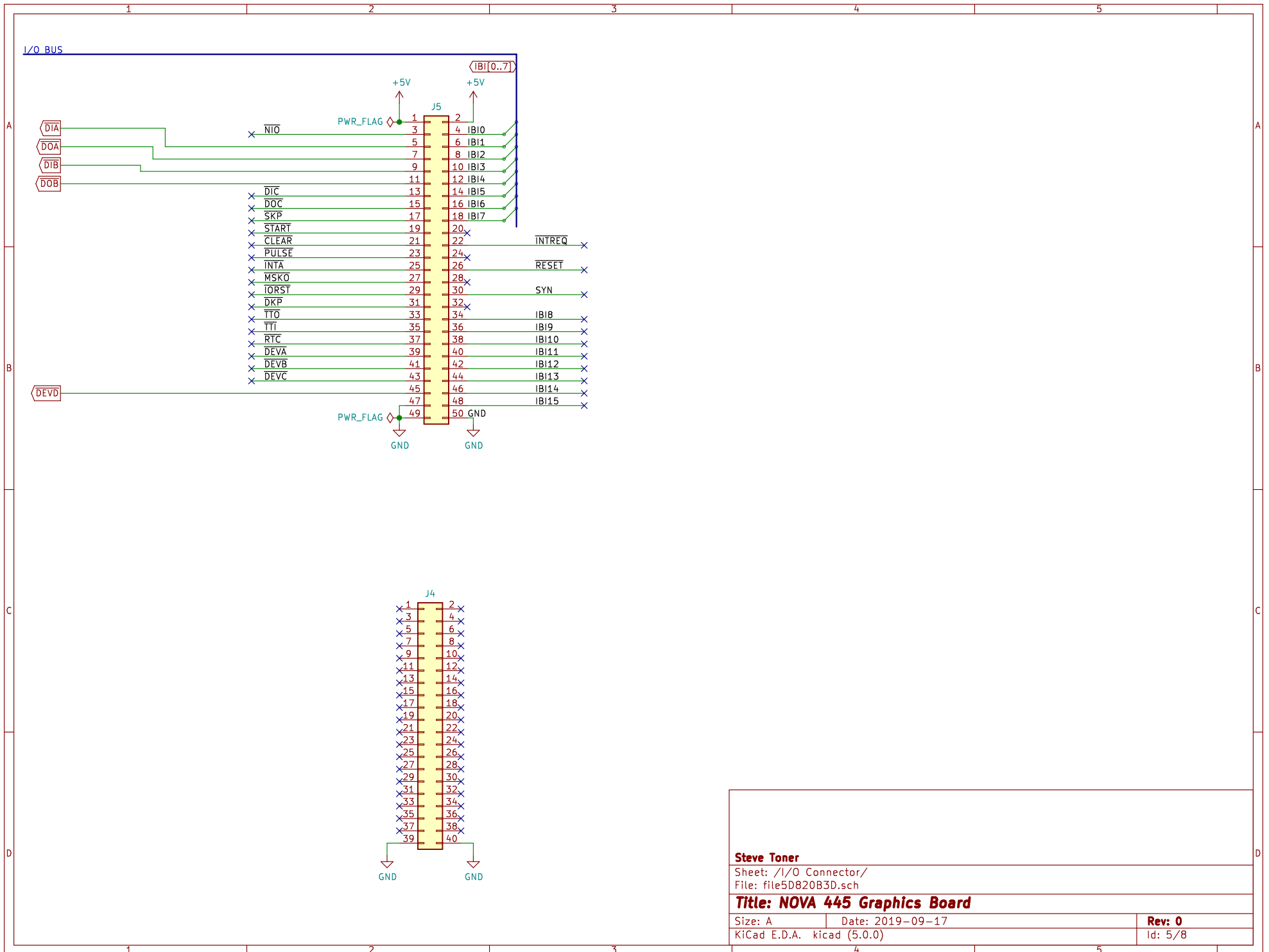
Title: NOVA 445 Graphics Board

Size: A | Date: 2020-01-12
KiCad E.D.A. kicad (5.0.0)

Rev: 0
Id: 3/8



Steve Toner
 Sheet: /Video/
 File: file5D8B080B.sch
Title: NOVA 445 Graphics Board
 Size: A Date: 2020-01-12
 KiCad E.D.A. kicad (5.0.0) **Rev: 0**
 Id: 4/8



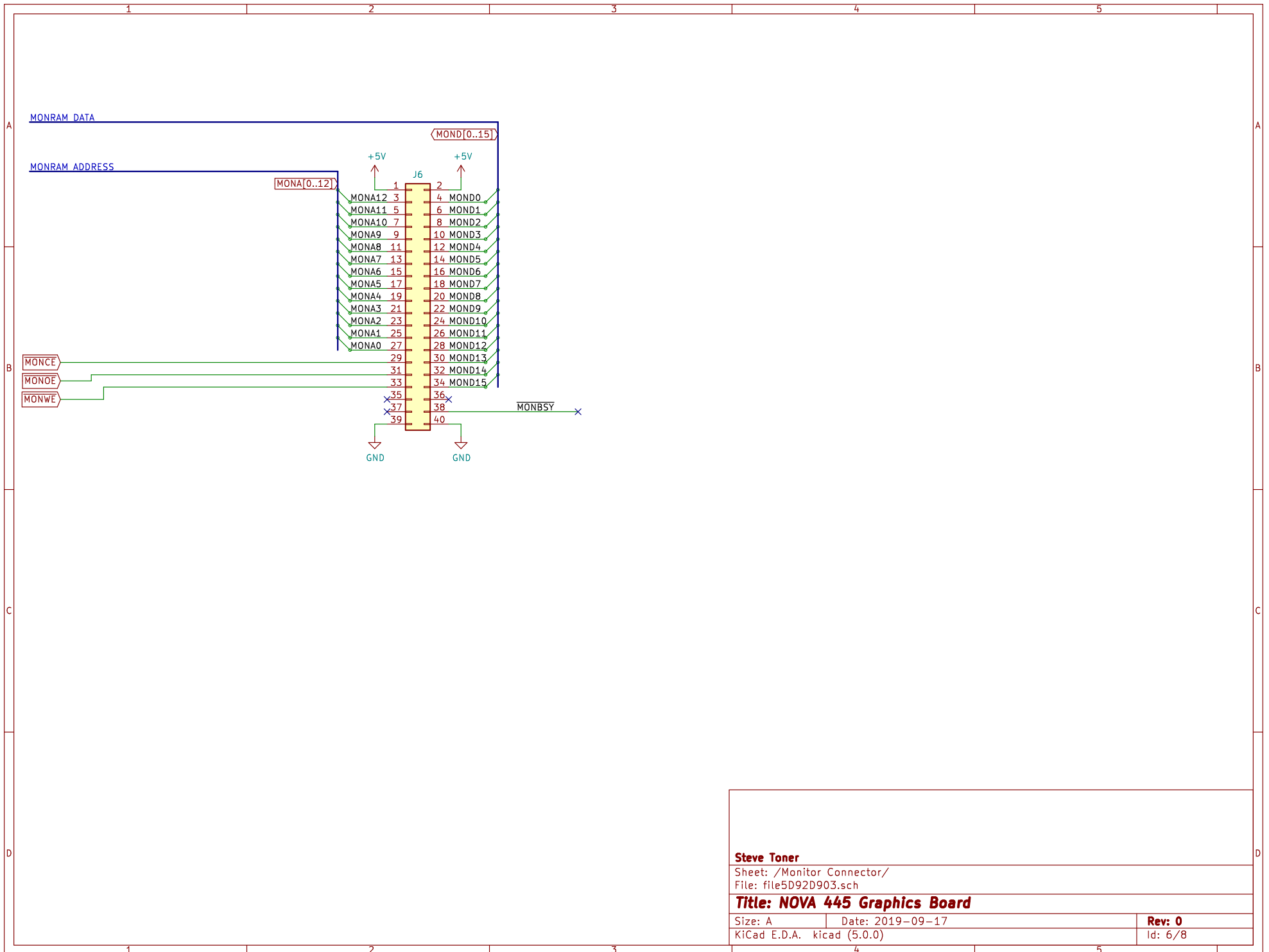
Steve Toner

Sheet: /I/O Connector/
File: file5D820B3D.sch

Title: NOVA 445 Graphics Board

Size: A Date: 2019-09-17
KiCad E.D.A. kicad (5.0.0)

Rev: 0
Id: 5/8



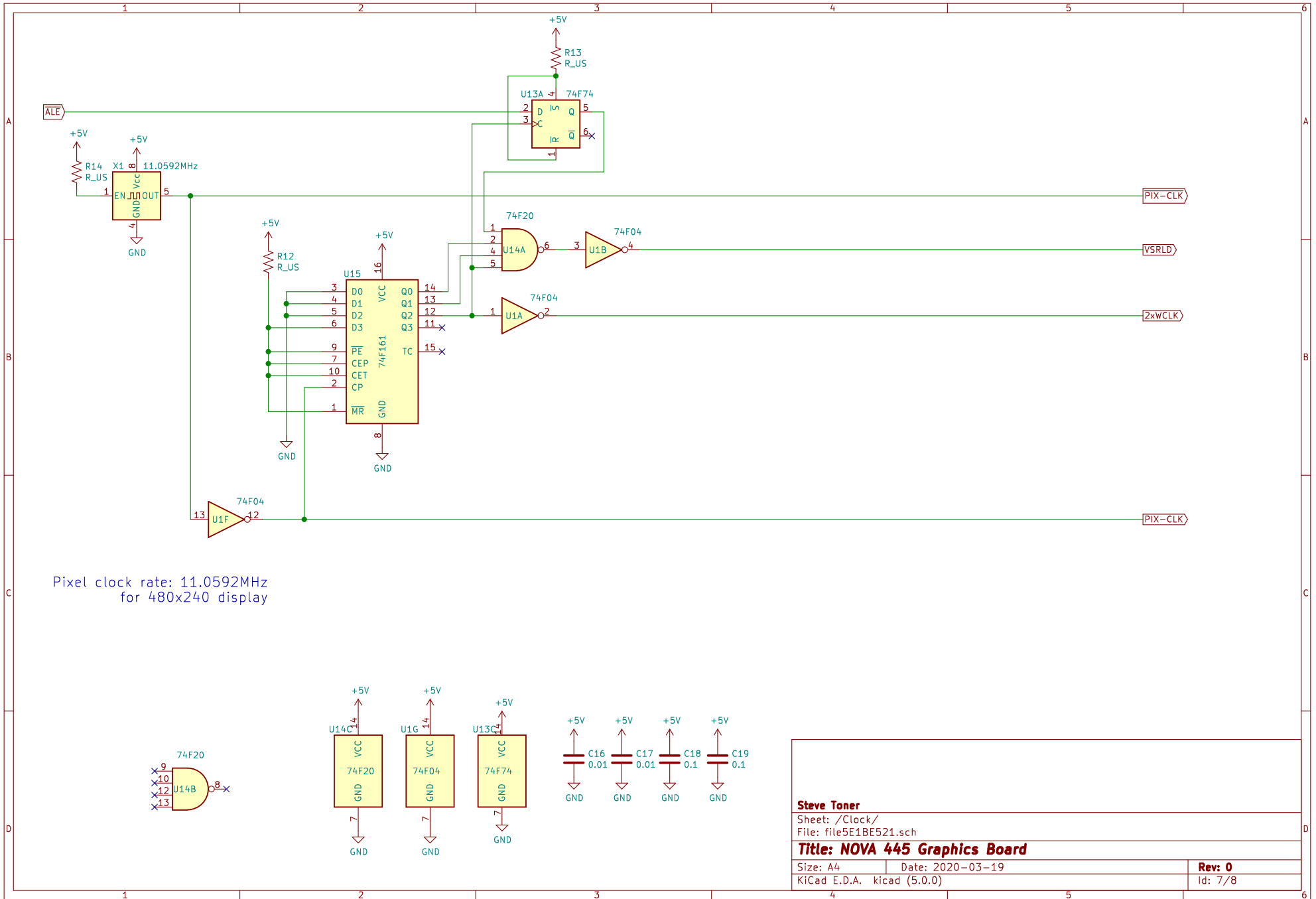
Steve Toner

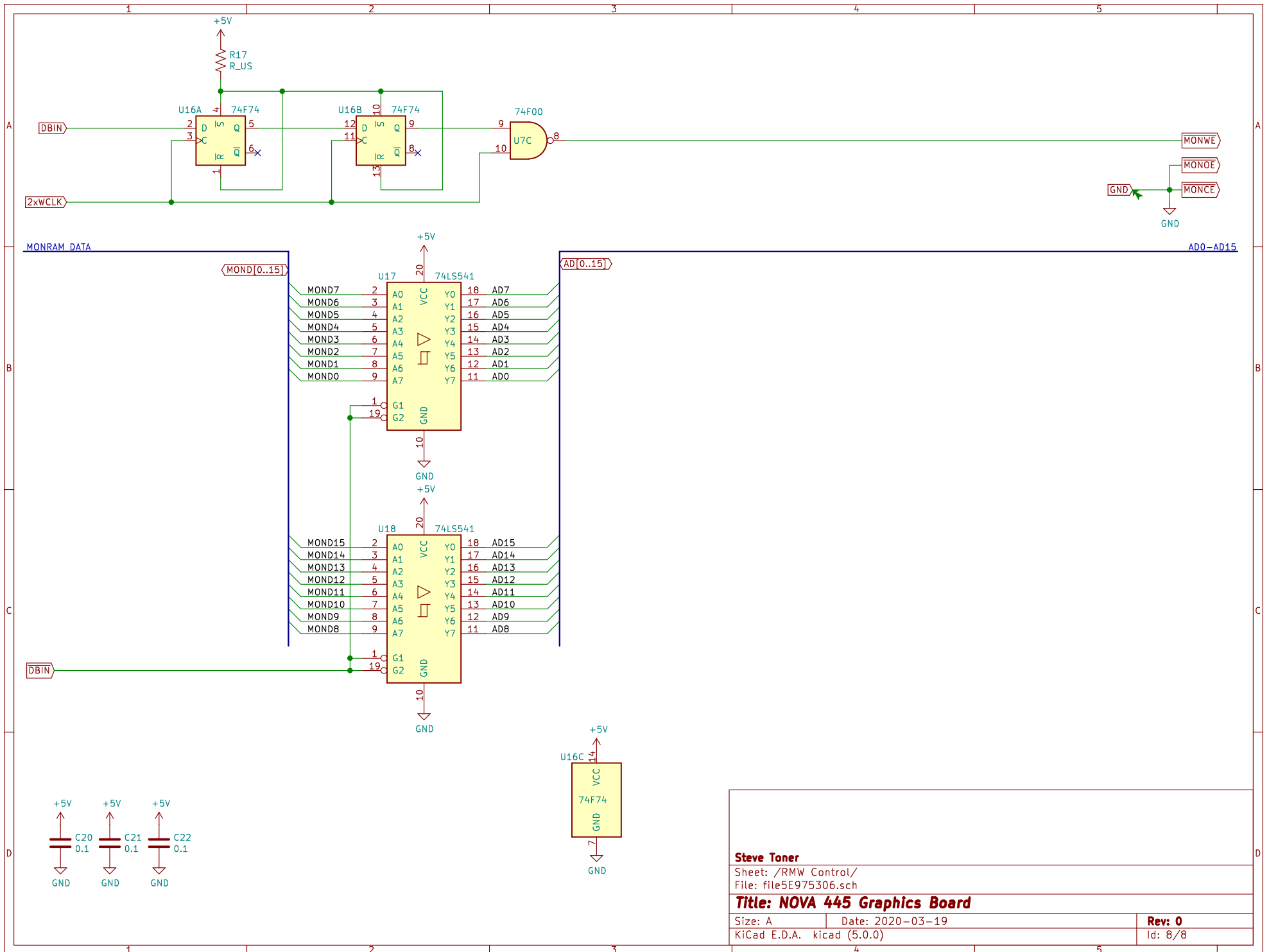
Sheet: /Monitor Connector/
File: file5D92D903.sch

Title: NOVA 445 Graphics Board

Size: A Date: 2019-09-17
KiCad E.D.A. kicad (5.0.0)

Rev: 0
Id: 6/8





Steve Toner

Sheet: /RMW Control/
File: file5E975306.sch

Title: NOVA 445 Graphics Board

Size: A | Date: 2020-03-19
KiCad E.D.A. kicad (5.0.0)

Rev: 0
Id: 8/8