

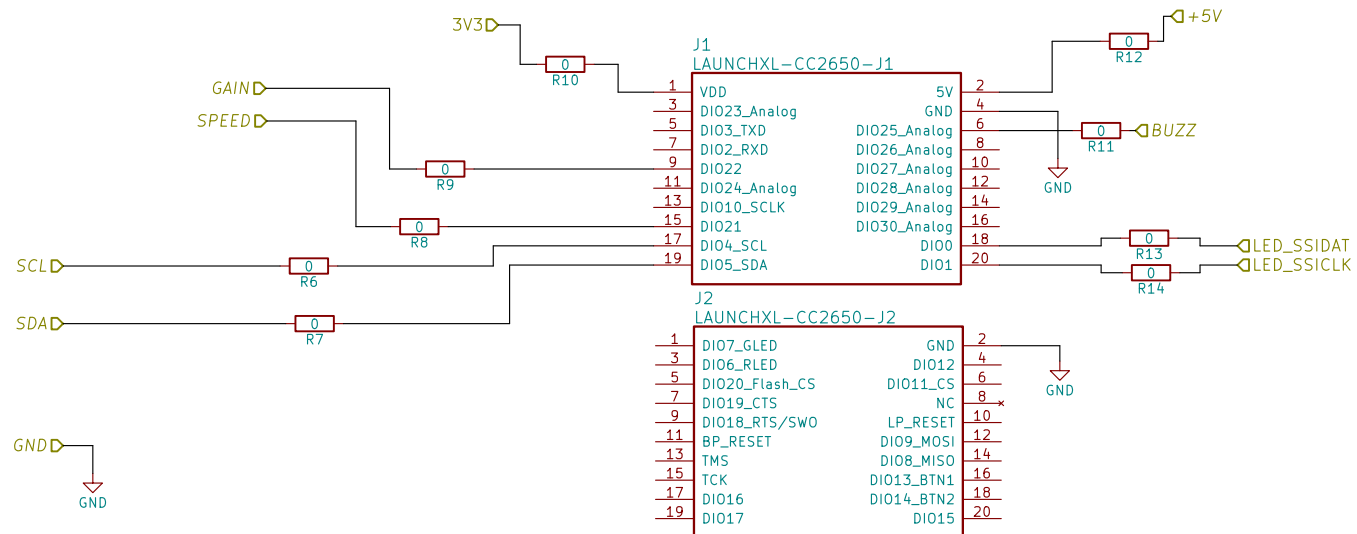
Piezo Buzzer and LED Display
ADC and Bluetooth RF Transceiver
MultiBlox

Sheet: /
File: blueblox.sch

Title: blueblox Main Board

Size: A4 Date: 2018-04-02
KiCad E.D.A. kicad 4.0.7

Rev: 0
Id: 1/2



Header Connections to CC2650 Launchpad

MultiBlox

Sheet: /cc2650Bluetooth/

File: cc2650.sch

Title: blueblox Main Board

Size: A4 Date: 2018-04-02

KiCad E.D.A. kicad 4.0.7

Rev: 0

Id: 2/2