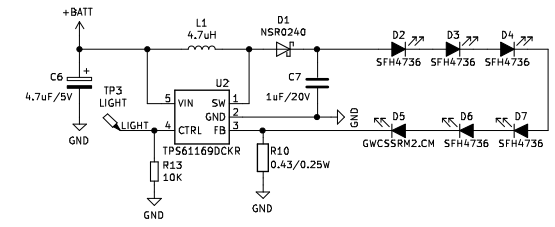
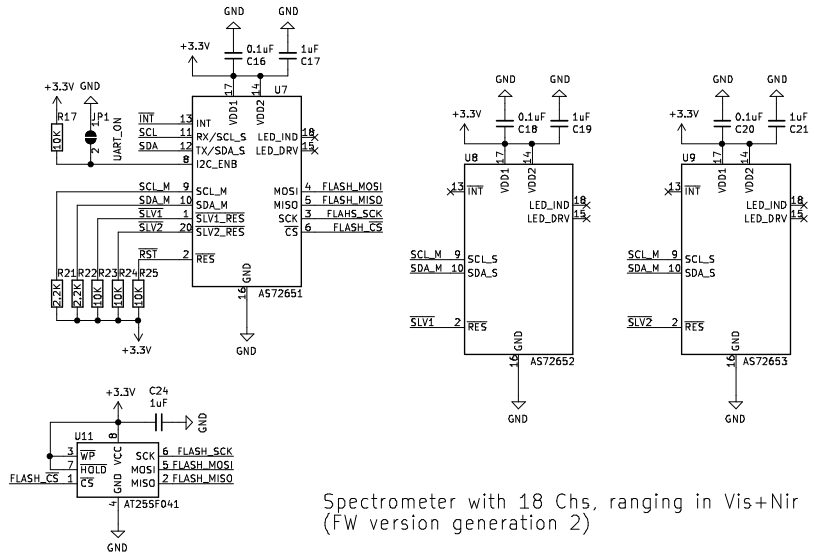


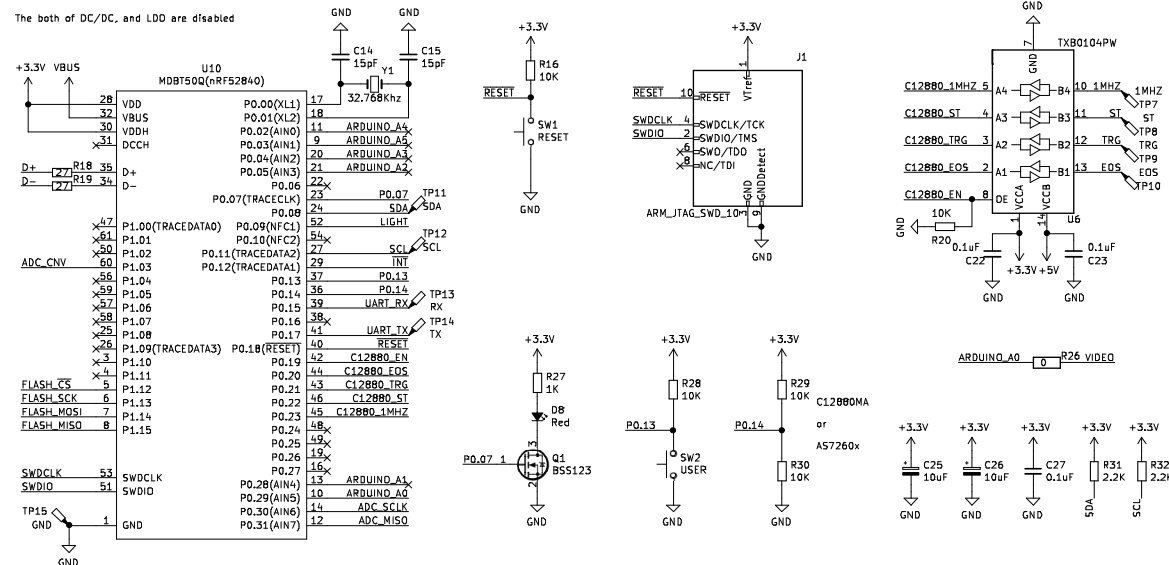
C12880MA Spectrometer with 16bits, 1Mhz single channel ADC



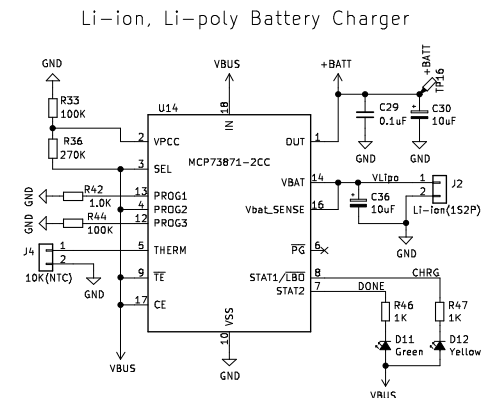
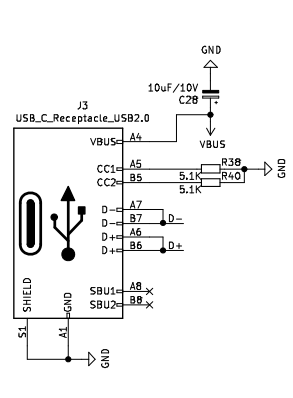
Vis + Broad Nir LEDs



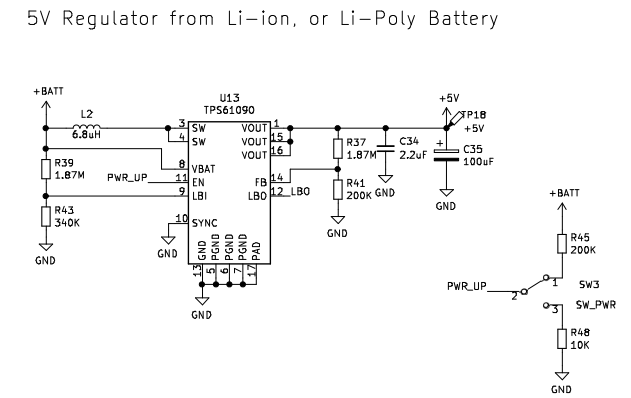
Spectrometer with 18 Chs, ranging in Vis+NIR (FW version generation 2)



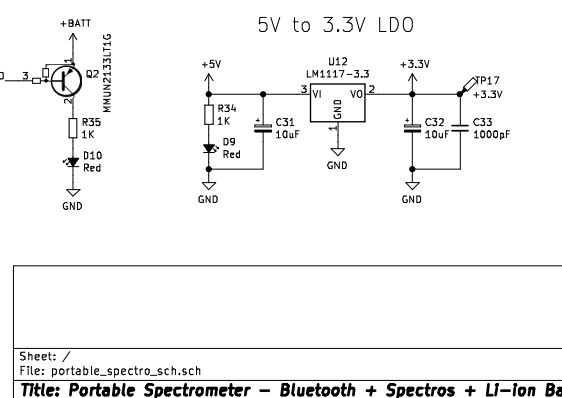
nRF52840 Module (arm cortex M4F + Bluetooth Controller)



Li-ion, Li-poly Battery Charger



5V Regulator from Li-ion, or Li-Poly Battery



5V to 3.3V LDO