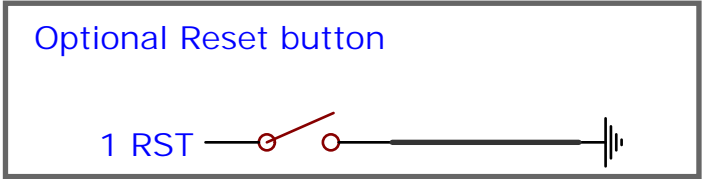
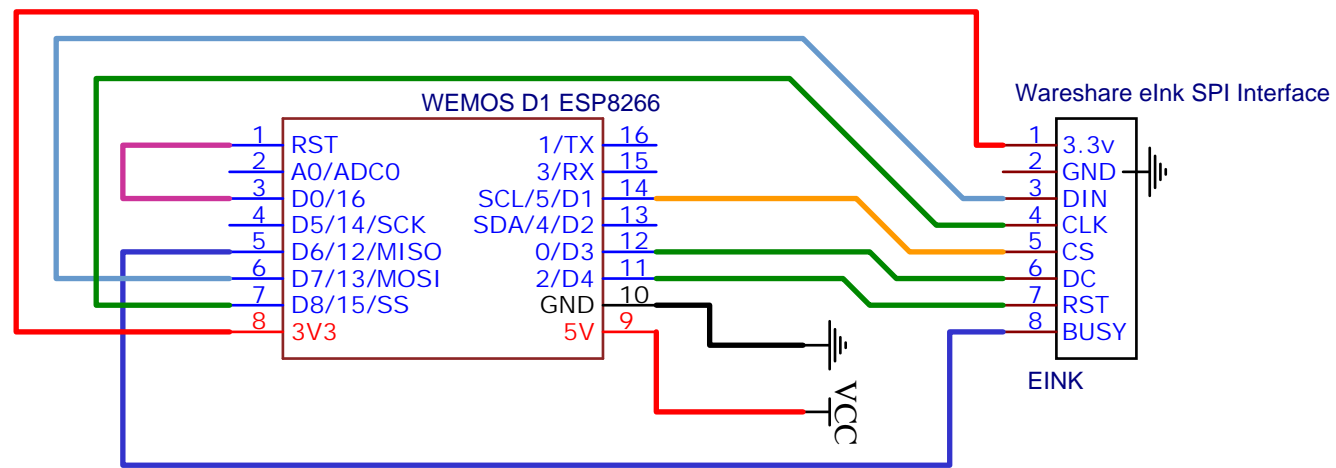


GPIO 16 needs to be connected to RST
in order to wake up from deepsleep()



TITLE: CALE e-ink calendar		REV: 1.0
EasyEDA	Company: fasani.de	Sheet: 1/1
	Date: 2019-12-23	Drawn By: fasani