

Sheet: MotorDriver



File: MotorDriver.sch

Sheet: Measurement



File: Measurement.sch

Sheet: VoltageRegulator



File: VoltageRegulator.sch

Sheet: History



File: History.sch

This documentation describes Open Hardware and is licensed under the CERN OHL v. 1.2.
 You may redistribute and modify this documentation under the terms of the CERN OHL v.1.2. (<http://ohwr.org/cernohl>).
 This documentation is distributed WITHOUT ANY EXPRESS OR IMPLIED WARRANTY, INCLUDING OF MERCHANTABILITY, SATISFACTORY
 QUALITY AND FITNESS FOR A PARTICULAR PURPOSE. Please see the CERN OHL v.1.2 for applicable conditions

generationmake

Sheet: /

File: HighPowerMotorFeatherWing.sch

Title: HighPowerMotorFeatherWing

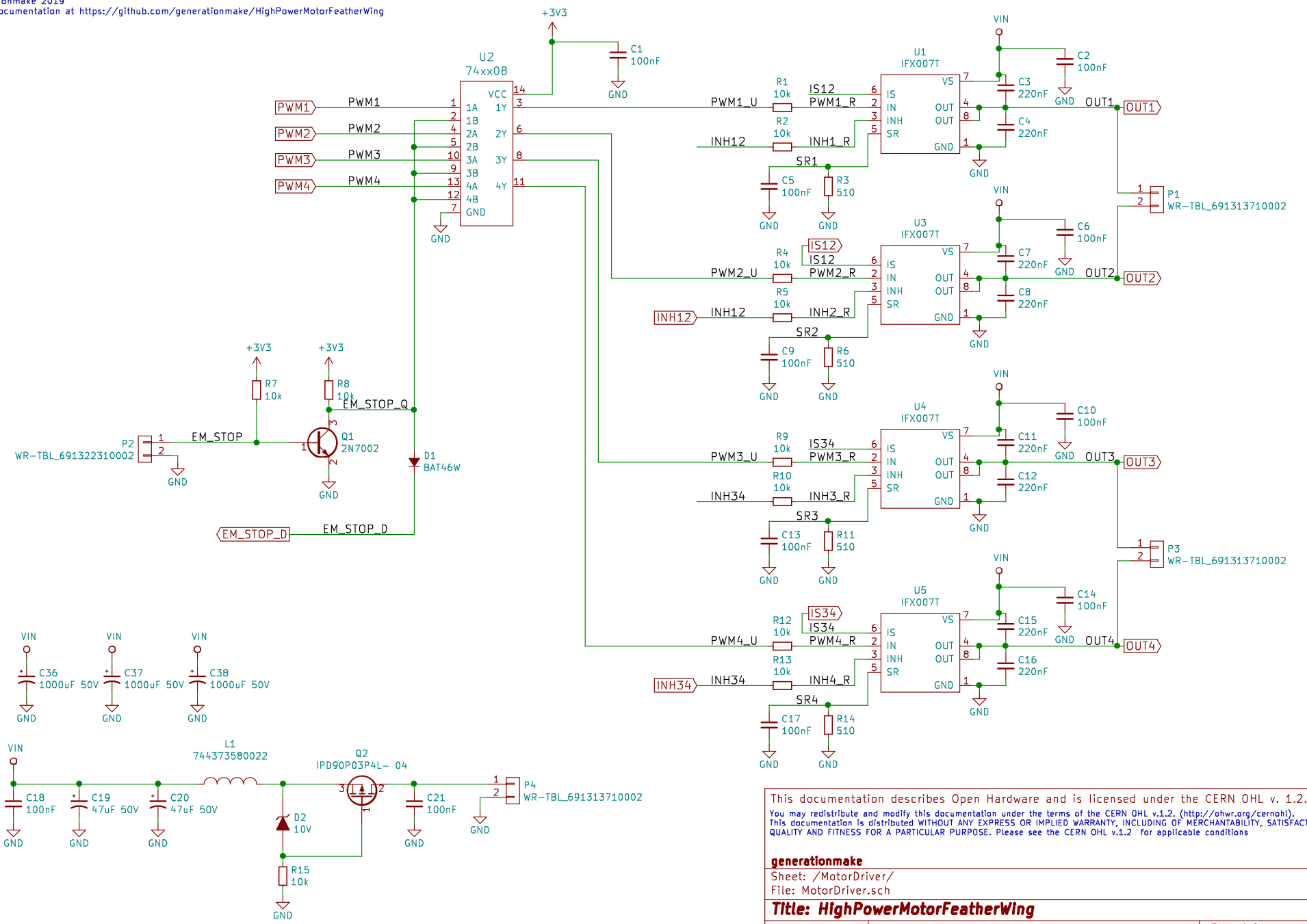
Size: A4

Date: 2019-12-29

Rev: 1.0

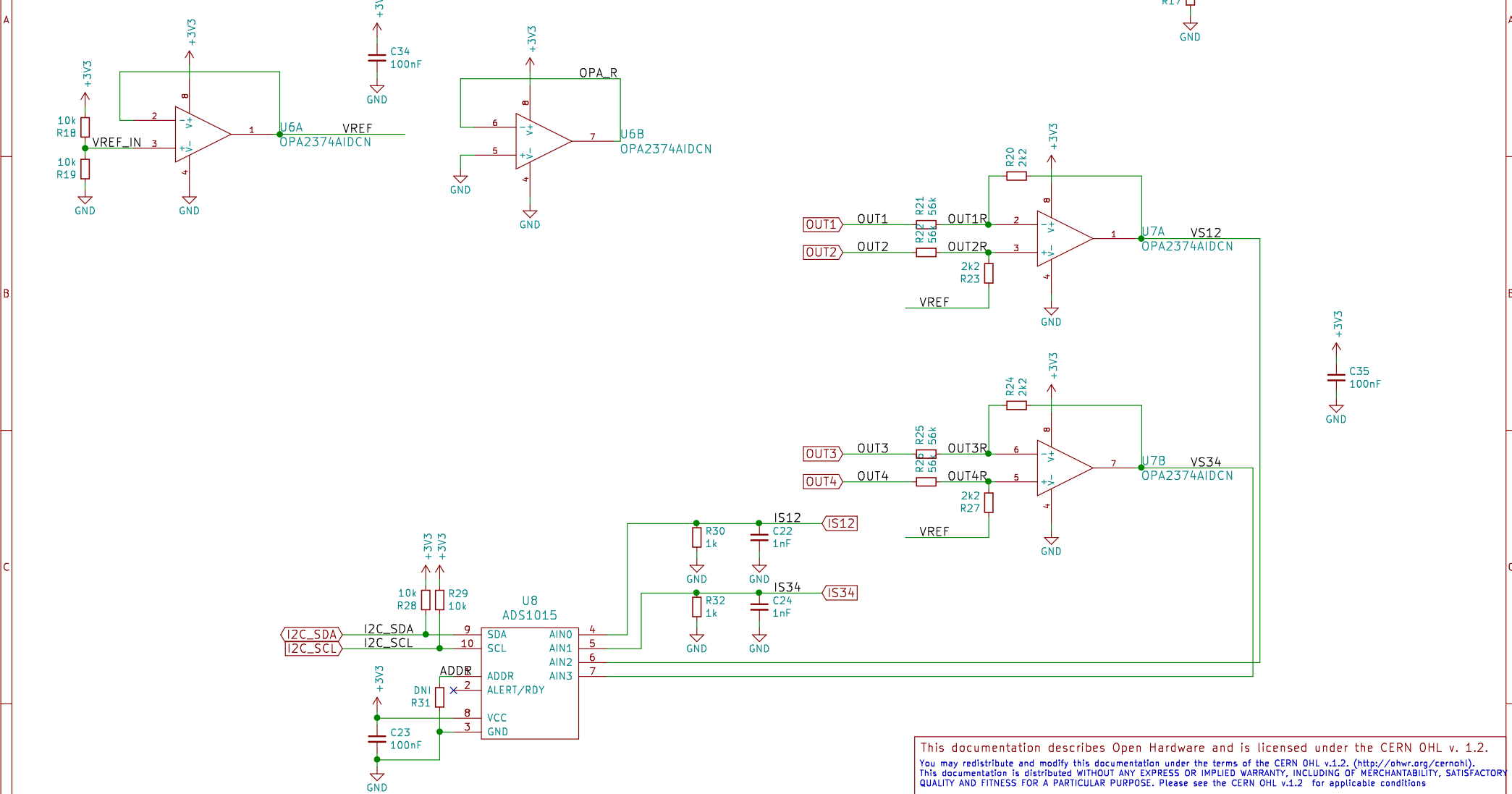
KiCad E.D.A. kicad 5.1.5-52549c584ubuntu18.04.1

Id: 1/5



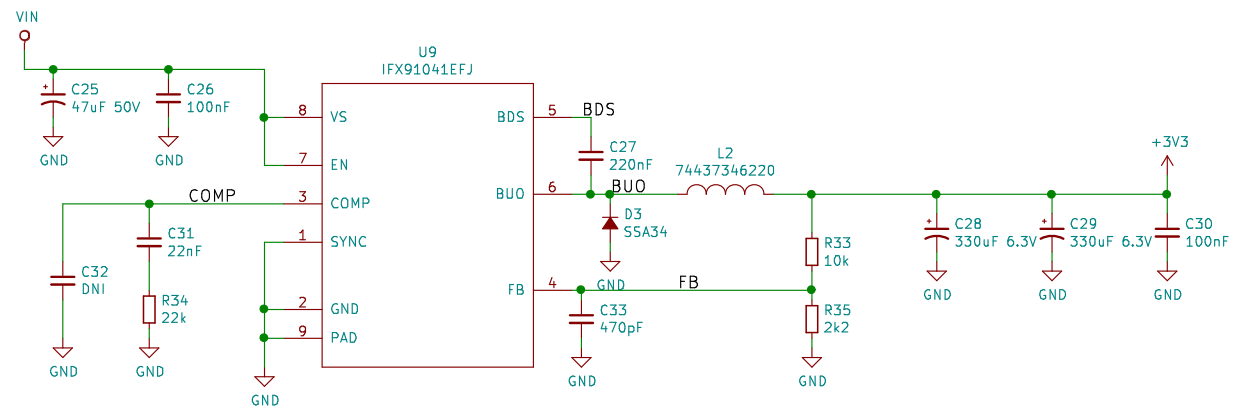
This documentation describes Open Hardware and is licensed under the CERN OHL v. 1.2.
 You may redistribute and modify this documentation under the terms of the CERN OHL v.1.2. (<http://ohwr.org/cernohl>).
 This documentation is distributed WITHOUT ANY EXPRESS OR IMPLIED WARRANTY, INCLUDING OF MERCHANTABILITY, SATISFACTORY
 QUALITY AND FITNESS FOR A PARTICULAR PURPOSE. Please see the CERN OHL v.1.2 for applicable conditions

generationmake	
Sheet: /MotorDriver/	
File: MotorDriver.sch	
Title: HighPowerMotorFeatherWing	
Size: A4	Date: 2019-12-29
KiCad E.D.A. kicad 5.1.5-52549c584ubuntu18.04.1	Rev: 1.0
	Id: 2/5



This documentation describes Open Hardware and is licensed under the CERN OHL v. 1.2.
 You may redistribute and modify this documentation under the terms of the CERN OHL v.1.2. (<http://ohwr.org/cernohl>).
 This documentation is distributed WITHOUT ANY EXPRESS OR IMPLIED WARRANTY, INCLUDING OF MERCHANTABILITY, SATISFACTORY
 QUALITY AND FITNESS FOR A PARTICULAR PURPOSE. Please see the CERN OHL v.1.2 for applicable conditions

generationmake	
Sheet: /Measurement/	
File: Measurement.sch	
Title: HighPowerMotorFeatherWing	
Size: A4	Date: 2019-12-29
KiCad E.D.A. kicad 5.1.5-52549c584ubuntu18.04.1	Rev: 1.0
	Id: 3/5



Sheet: /VoltageRegulator/
File: VoltageRegulator.sch

Title:

Size: A4

Date: 2019-12-29

Rev:

KiCad E.D.A. kicad 5.1.5-52549c584ubuntu18.04.1

Id: 4/5

1.0 2019-12-29 Bernhard Mayer initial release

Sheet: /History/ File: History.sch		
Title:		
Size: A4	Date: 2019-12-29	Rev:
KiCad E.D.A. kicad 5.1.5-52549c584ubuntu18.04.1		Id: 5/5