

Sheet: MotorDriver1



File: MotorDriver1.sch

Sheet: MotorDriver2



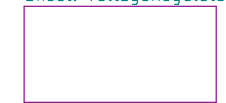
File: MotorDriver2.sch

Sheet: Measurement



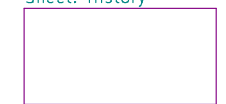
File: Measurement.sch

Sheet: VoltageRegulator



File: VoltageRegulator.sch

Sheet: History



File: History.sch

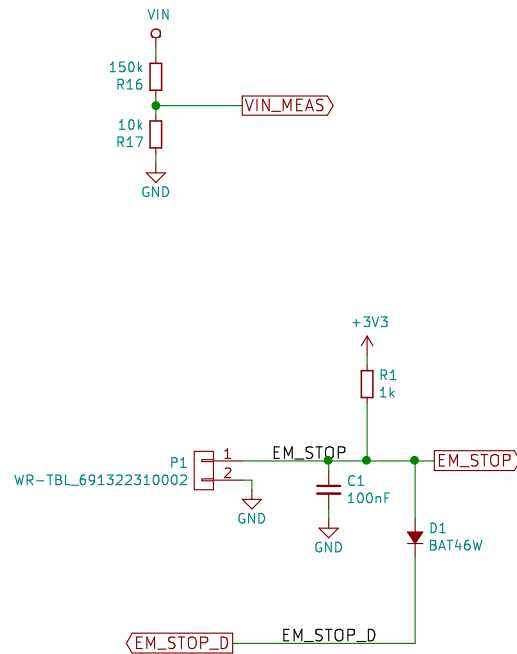
This documentation describes Open Hardware and is licensed under the CERN OHL v. 1.2.
 You may redistribute and modify this documentation under the terms of the CERN OHL v.1.2. (<http://ohwr.org/cernohl>).
 This documentation is distributed WITHOUT ANY EXPRESS OR IMPLIED WARRANTY, INCLUDING OF MERCHANTABILITY, SATISFACTORY
 QUALITY AND FITNESS FOR A PARTICULAR PURPOSE. Please see the CERN OHL v.1.2 for applicable conditions

generationmake

Sheet: /
 File: StepperMotorFeatherWing.sch

Title: HighPowerMotorFeatherWing

Size: A4	Date: 2019-12-31	Rev: 1.0
KiCad E.D.A. kicad 5.1.5-52549c584ubuntu18.04.1		Id: 1/6



This documentation describes Open Hardware and is licensed under the CERN OHL v. 1.2.
You may redistribute and modify this documentation under the terms of the CERN OHL v.1.2. (<http://ohwr.org/cernohl>).
This documentation is distributed WITHOUT ANY EXPRESS OR IMPLIED WARRANTY, INCLUDING OF MERCHANTABILITY, SATISFACTORY
QUALITY AND FITNESS FOR A PARTICULAR PURPOSE. Please see the CERN OHL v.1.2 for applicable conditions

generationmake

Sheet: /Measurement/

File: Measurement.sch

Title: HighPowerMotorFeatherWing

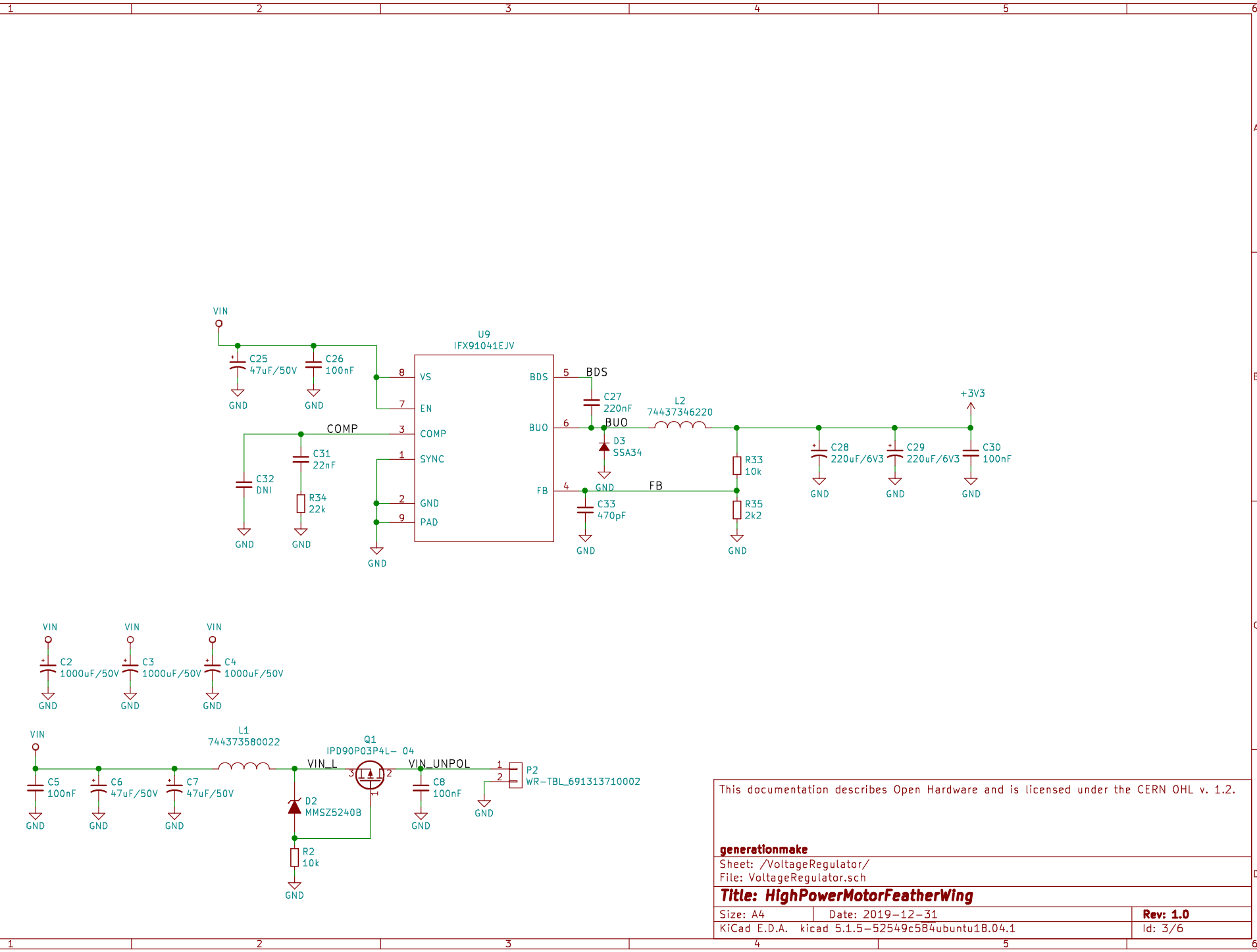
Size: A4

Date: 2019-12-31

Rev: 1.0

KiCad E.D.A. kicad 5.1.5-52549c584ubuntu18.04.1

Id: 2/6



This documentation describes Open Hardware and is licensed under the CERN OHL v. 1.2.

generationmake
 Sheet: /VoltageRegulator/
 File: VoltageRegulator.sch

Title: HighPowerMotorFeatherWing

Size: A4	Date: 2019-12-31	Rev: 1.0
KiCad E.D.A.	kicad 5.1.5-52549c584ubuntu18.04.1	Id: 3/6

1.0 2019-12-31 Bernhard Mayer initial release

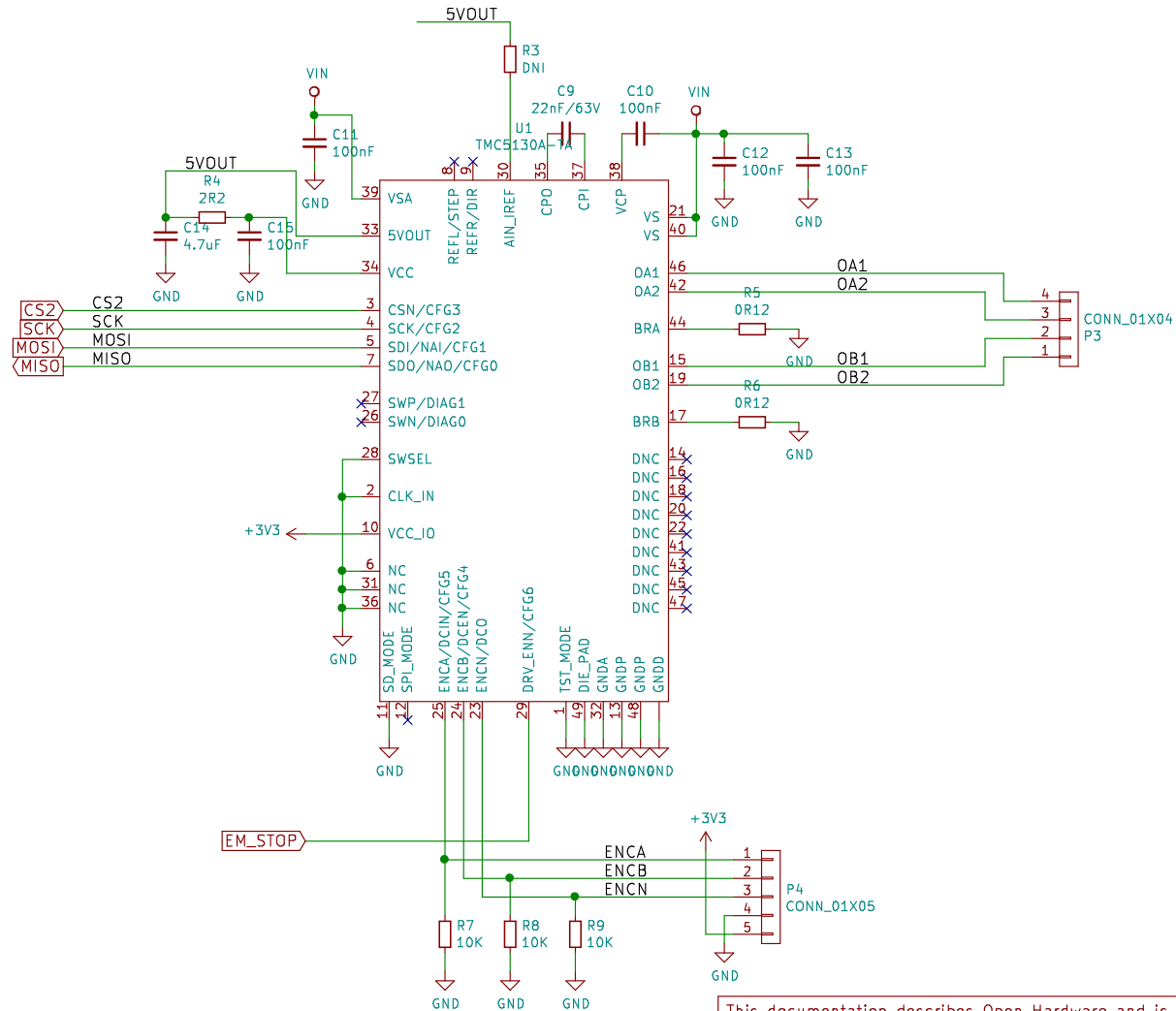
This documentation describes Open Hardware and is licensed under the CERN OHL v. 1.2.

generationmake

Sheet: /History/
File: History.sch

Title: HighPowerMotorFeatherWing

Size: A4	Date: 2019-12-31	Rev: 1.0
KiCad E.D.A. kicad 5.1.5-52549c584ubuntu18.04.1	Id: 4/6	

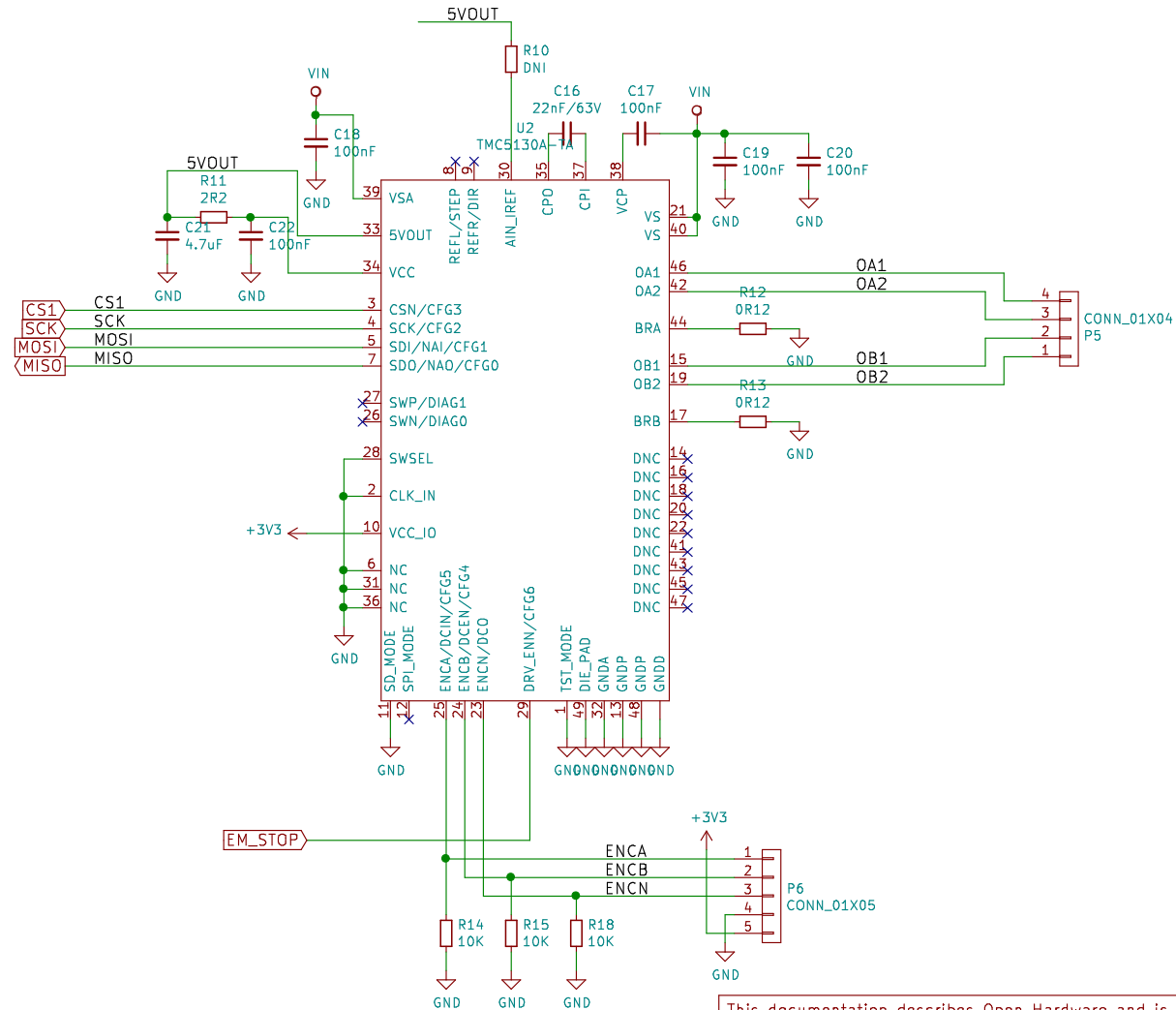


This documentation describes Open Hardware and is licensed under the CERN OHL v. 1.2.
 You may redistribute and modify this documentation under the terms of the CERN OHL v.1.2. (<http://ohwr.org/cernohl>).
 This documentation is distributed WITHOUT ANY EXPRESS OR IMPLIED WARRANTY, INCLUDING OF MERCHANTABILITY, SATISFACTORY
 QUALITY AND FITNESS FOR A PARTICULAR PURPOSE. Please see the CERN OHL v.1.2 for applicable conditions

generationmake
 Sheet: /MotorDriver2/
 File: MotorDriver2.sch

Title: HighPowerMotorFeatherWing

Size: A4	Date: 2019-12-31	Rev: 1.0
KiCad E.D.A.	kicad 5.1.5-52549c584ubuntu18.04.1	Id: 5/6



This documentation describes Open Hardware and is licensed under the CERN OHL v. 1.2.
You may redistribute and modify this documentation under the terms of the CERN OHL v.1.2. (<http://ohwr.org/cernohl>).
This documentation is distributed WITHOUT ANY EXPRESS OR IMPLIED WARRANTY, INCLUDING OF MERCHANTABILITY, SATISFACTORY
QUALITY AND FITNESS FOR A PARTICULAR PURPOSE. Please see the CERN OHL v.1.2 for applicable conditions

generationmake

Sheet: /MotorDriver1/

File: MotorDriver1.sch

Title: HighPowerMotorFeatherWing

Size: A4 Date: 2019-12-31

KiCad E.D.A. kicad 5.1.5-52549c584ubuntu18.04.1

Rev: 1.0

Id: 6/6