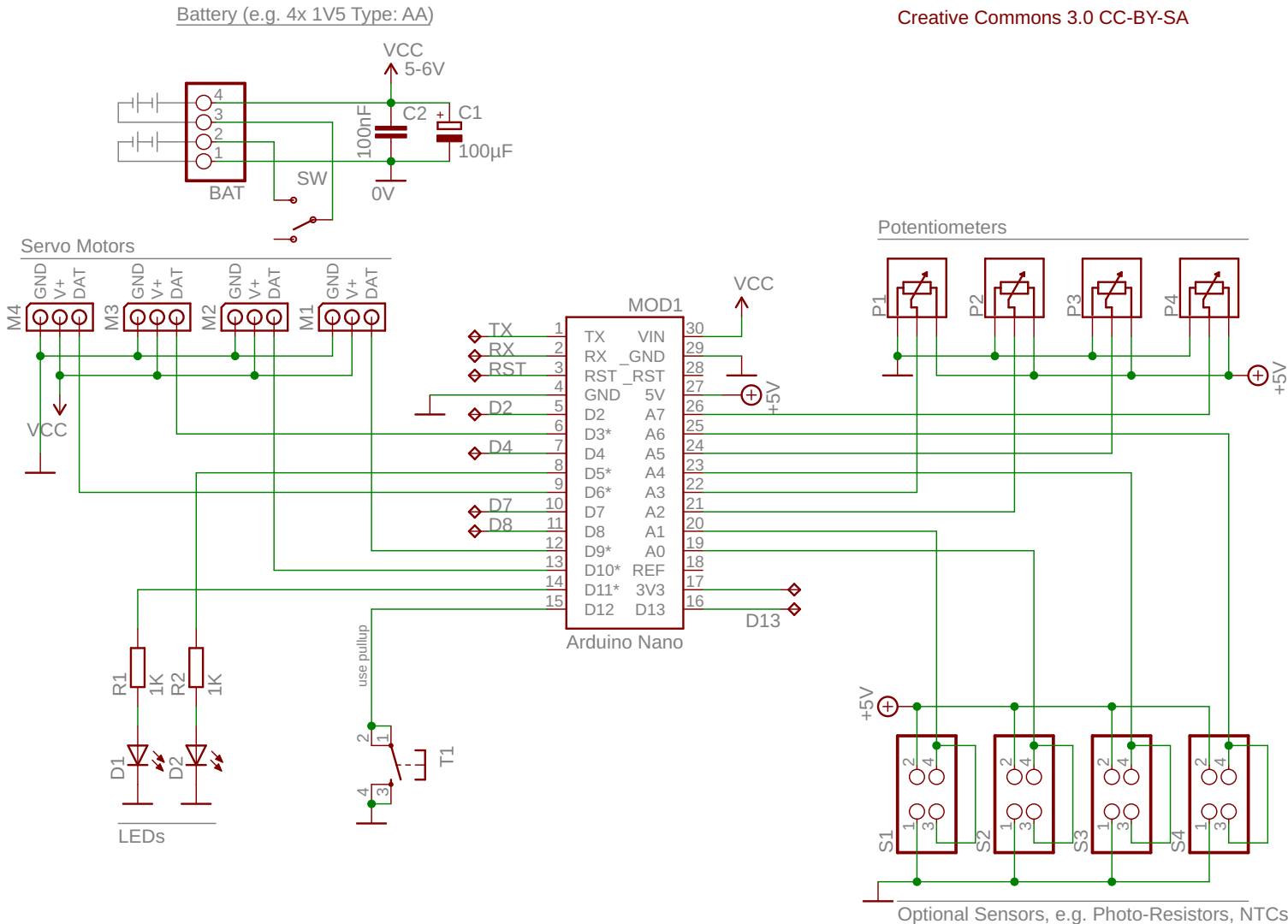


SO(2)-Walker rev 1

Matthias Kubisch  
May 31st 2019

Creative Commons 3.0 CC-BY-SA



Optional Sensors, e.g. Photo-Resistors, NTCs, Ultrasonic etc.