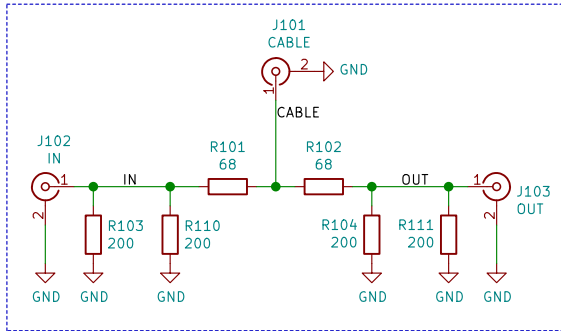
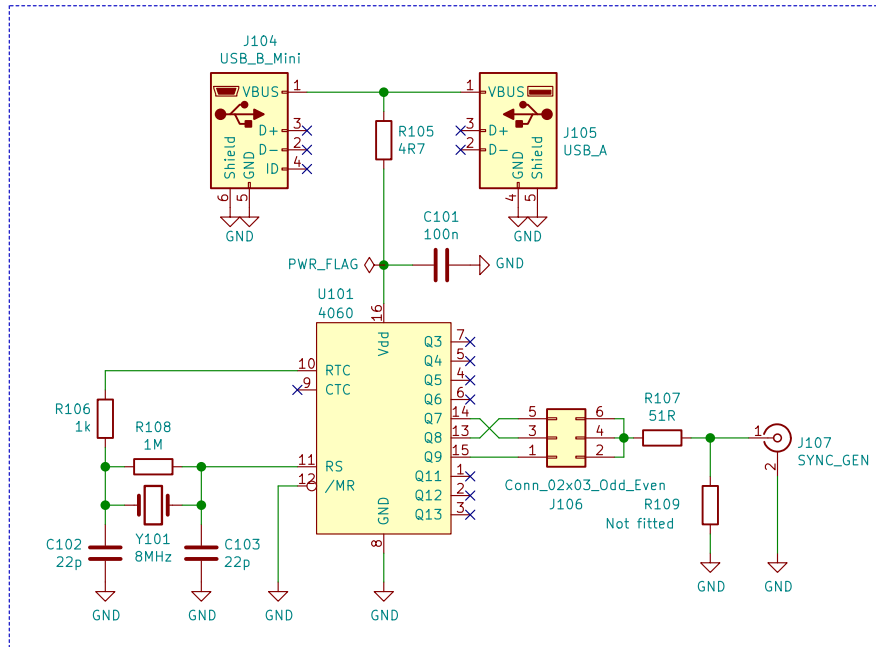


Reverse splitter. Connect oscilloscope to OUT, pulse generator to IN, DUT to COAX.
 Insertion loss between IN and OUT when properly terminated at all ports is about 19.6 dB.



Trigger generator, can be set to about 2, 4 or 8 kHz.



Addon to the TDR_avalanche to allow simpler measurement of reflections

Petr Polasek

Sheet: /
 File: TDR_splitter.sch

Title: TDR spliter

Size: A4 Date: 2018-12-05
 KiCad E.D.A. kicad 5.1.0-rc1-unknown-869bdc276ubuntu18.04.1

Rev: 1 tested
 Id: 1/1