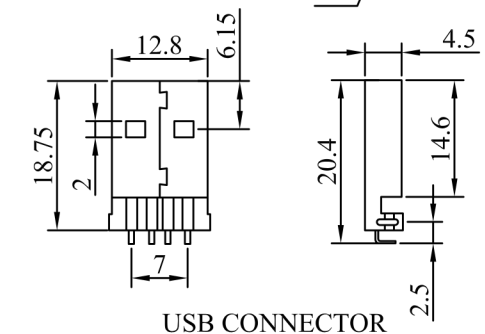
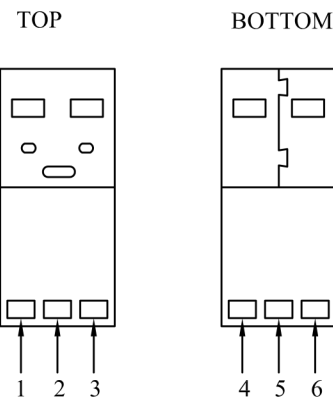


FTDI-FT232R-PCB



USB CONNECTOR

- NOTES:
- 1.ELECTRICAL TEST:100% OPEN,SHORT&MISSWIRE TEST.
  - 2.CONDUCTOR RESISTANCE:2ohm, INSULATOR RESISTANCE:10M ohm.
  - 3.HIGH VOLTAGE:DC 300V 0.01sec.
  - 4.MUST BE ROHS COMPLIANT.
  - 5.ONLY ORIGINAL, NEW MANUFACTURER FTDI COMPONENT FTDI FT232R TO BE USED

PIN WIRING

P1		P2
1	BLACK	1(Ground)
2	BROWN	2(CTS)
3	RED	3(5V)
4	ORANGE	4(TXD 3V level)
5	YELLOW	5(RXD 3V level)
6	GREEN	6(RTS)

BOM		PL-EF-04	
NO.	Name	SPECIFICATION	Q'TY
6	Housing	Dupont 2.54mm 1*6P HOUSING	1PCS
5	Terminal	Dupont 2.54mm TERMINAL	6PCS
4	Tube	Ø5.5*10mm HEAT TUBE COLOR BLACK	1PCS
3	ASSY SHELL	ABS BLACK	1SET
2	Connector	FTDI-FT232R-PCB(3.3V) USB A/M CONNECTOR PLASTIC:WHITE	1PCS
1	Cable	UL2464 28AWG(7/0.12TC)*6C (RED,BROWN,ORANGE,BLACK, YELLOW,GREEN)+ALUMINIUM FOIL PVC JACKET COLOR:BLACK OD=5.0±0.1mm	1PCS

Premier Cable MFG Co Ltd