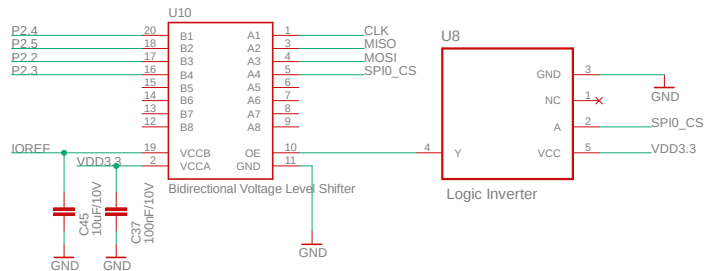
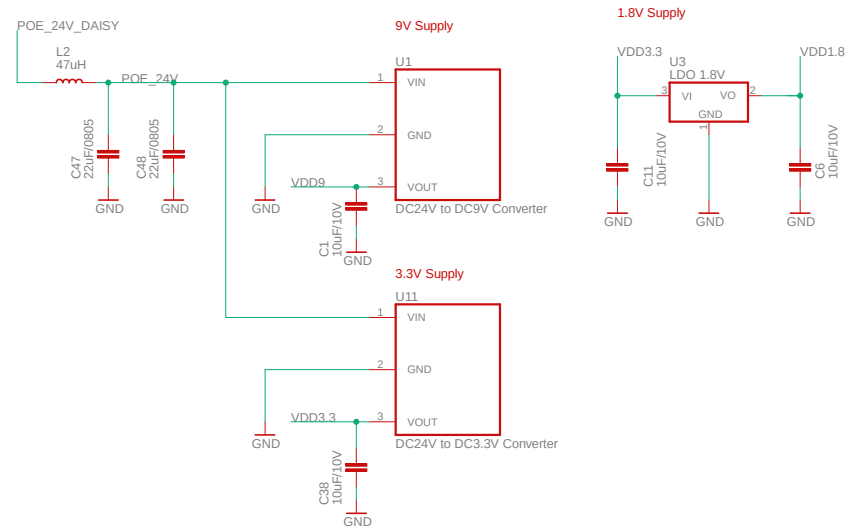


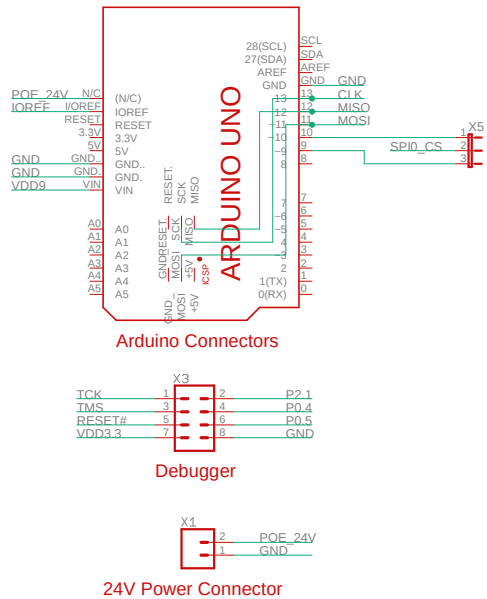
## SPI Interface for Variable Voltage Level



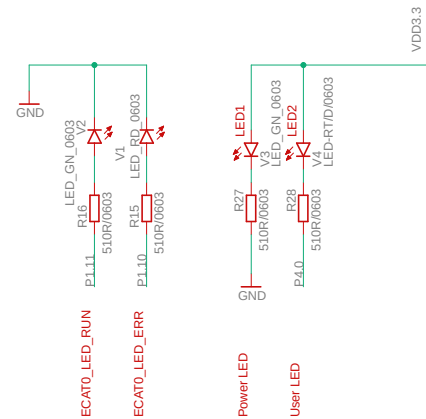
## Power Management



## Connectors

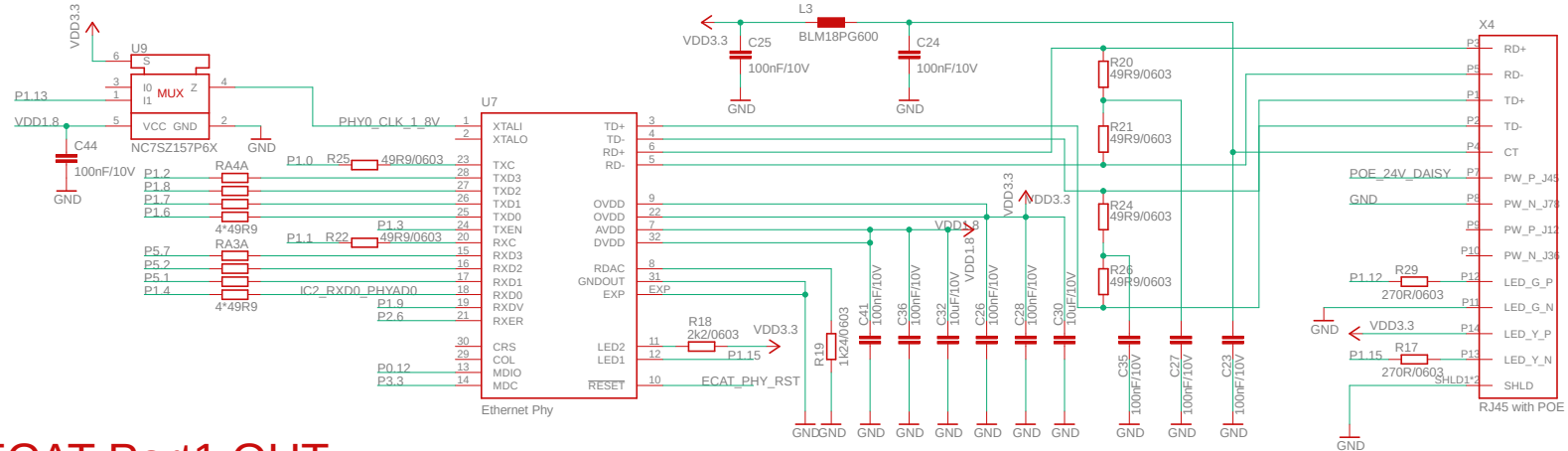


## LEDs

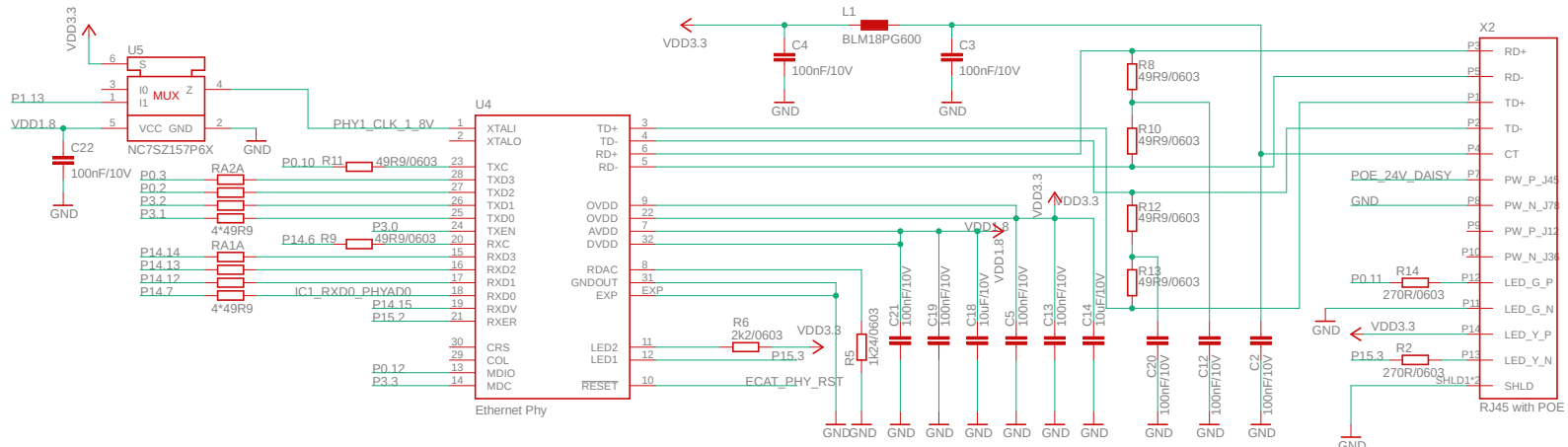


Interfaces with External Components	Rev 1p16
	EASE
	12/23/2019 1:35 PM
	Sheet: 1/3

# ECAT Port0 IN



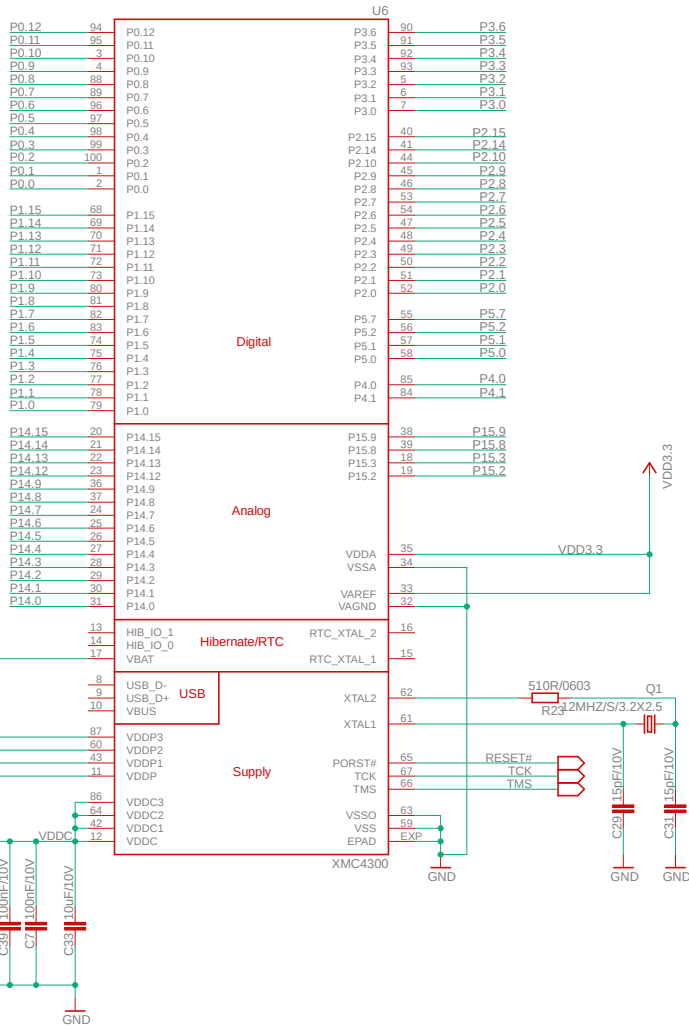
# ECAT Port1 OUT



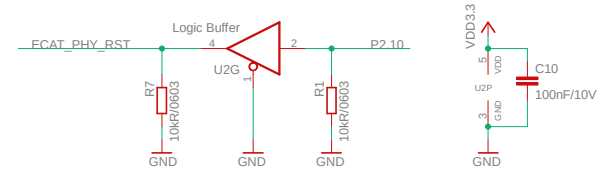
EtherCAT	Rev 1p16
	EASE
	12/23/2019 1:35 PM
	Sheet: 2/3

# Microcontroller

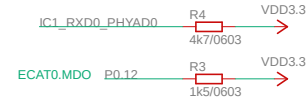
DEBUG\_TX  
DEBUG\_RX



## Phy Reset Buffer



## Phy Pull Resistors



Microcontroller	Rev 1p16
	EASE
	12/23/2019 1:35 PM
	Sheet: 3/3