

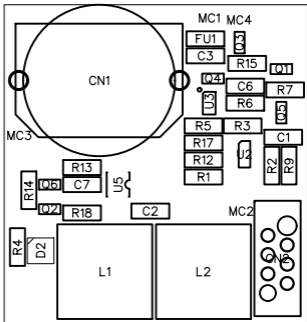
MC2
MC_FIDUCIAL

MC3
MC_FIDUCIAL

MC4
MC_FIDUCIAL



TITLE: Ultra low power LED flasher		REV: 1.0
Company:		Sheet: 1/1
Date: 2020-03-21		Drawn By: LieBtrau



BOM_ultra-low-power-led-flasher_2020-05-16_20-09-18

1	A	B	C	D	E	F	G	H	I	J	K
ID	Name	Designator	Footprint	Quantity	Manufacturer Part	Manufacturer	Supplier	Supplier Part	Digi-Key	LCSC	
2	118p	C7	CA_1206	1			LCSC	C1889	1276-1844-1-ND		
3	26K8	R5,R2,R3,R1,R9,R12	RE_1206	6			LCSC	C168558	RC1206FR-076K8L		
4	32M2	R7	RE_1206	1			LCSC	C104700			
5	4100K	R6,R13,R14	RE_1206	3			Digi-Key	311-100KFRCT-ND		C102062	
6	5100n	C1,C2	CA_1206	2			LCSC	C1945	1276-1017-1-ND		
7	6RV-3028-C7	U2	SC_RV-3028-C7	1	RV-3028-C7 32.768KHZ 1PPM-TA-QC	Micro Crystal AG	Digi-Key	2195-RV-3028-C732.768KHZ1PPM-TA-QCCT-ND			
8	7TPL5110	U3	SC_SOT23-6	1	TPL5110DDCT	Texas Instruments	Digi-Key	296-38830-1-ND			
9	848102SC	L1,L2	CL_STD1212	2	48102SC	Murata Power Solutions Inc.	Digi-Key	811-3598-1-ND			
10	9L135-L567L00000001	D1,D2	DI_LED_LUXEON_3535L	2	L135-L567L00000001	Lumileds	Digi-Key	1416-1440-1-ND			
11	10SI3401A	Q3,Q4,Q2	SC_SOT23-3	3	AO3401A	Alpha & Omega Semicon	LCSC	C15127			
12	11PTS120660V005	FU1	RE_1206	1	PTS120660V005	Eaton - Electronics Division	Digi-Key	283-3132-1-ND			
13	123035	CN1	CN_BAT_CLIP_CR2032_KEYSTONE_3035	1	3035	Keystone Electronics	Digi-Key	36-3035-ND			
14	1374LVC1G123DP,125	U5	SC_TSSOP-8_L3.0-W3.0-P0.65-LS4.9-BL	1	74LVC1G123DP,125	Nexperia	Digi-Key	1727-2238-1-ND			
15	140E/1206	R8,R10,R11,R4	RE_1206	4	RC1206FR-070RL	Yageo	Digi-Key	YAG3367CT-ND			
16	156n8	C6	CA_1206	1			LCSC	C1879	1276-1775-1-ND		
17	16BSS169	Q1	SC_SOT23-3	1			LCSC	C83053			
18	17FDV301N	Q5,Q6	SC_SOT23-3	2			LCSC	C15310			
19	1810U/6V3	C3	CA_1206	1			LCSC	C318761	399-3029-1-ND		