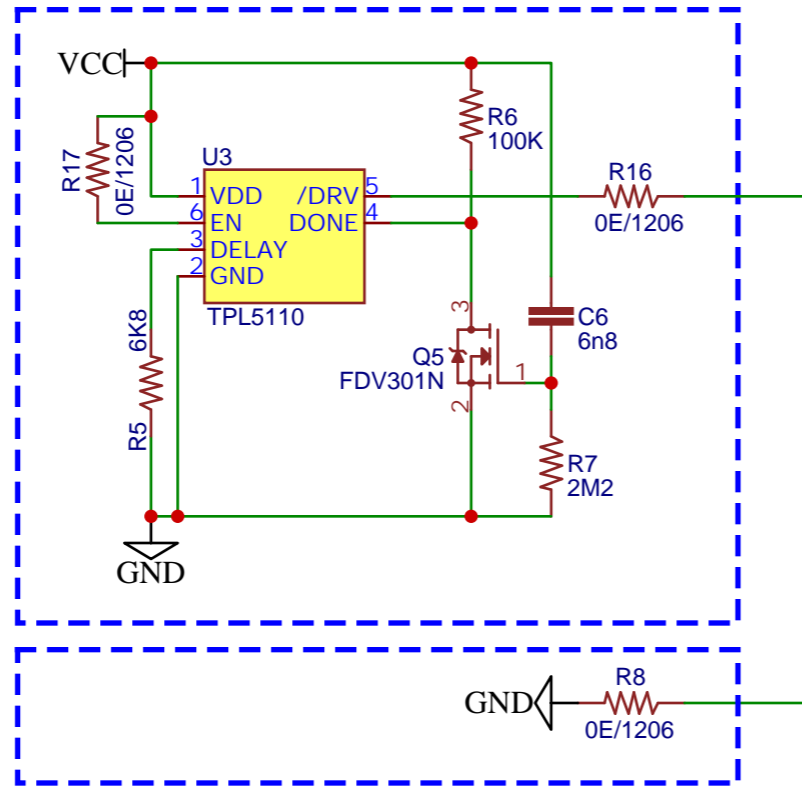
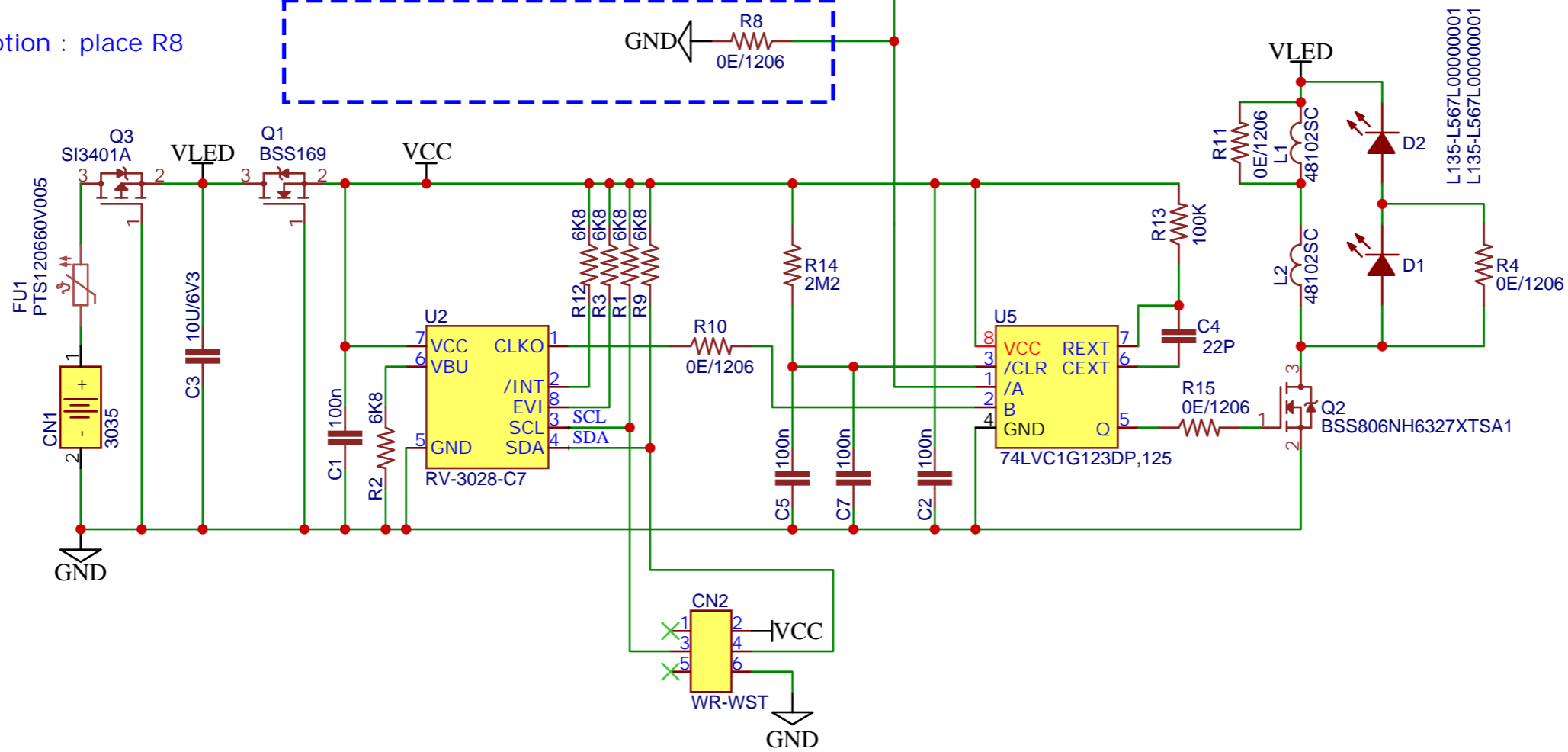
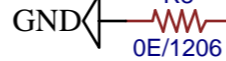


Flashing option : place this circuit



No-flashing option : place R8



MC2
MC_FIDUCIAL

MC3
MC_FIDUCIAL

MC4
MC_FIDUCIAL



TITLE: Ultra low power LED flasher

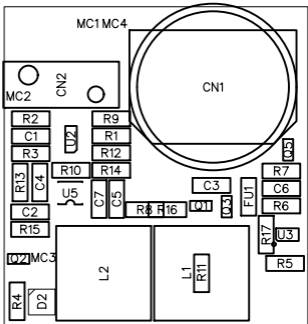
REV: 2.0

EasyEDA

Company:

Sheet: 1/1

Date: 2020-03-21 Drawn By: LieBtrau



BOM_ultra-low-power-led-flasher_2020-08-19_20-41-14

ID	Name	Designator	Footprint	Quantity	Manufacturer Part	Manufacturer	Supplier	Supplier Part	Digi-Key	LCSC
16K8		R2,R3,R1,R9,R12,R5	RE_1206	6			LCSC	C168558	RC1206FR-076K8L	
22M2		R7,R14	RE_1206	2			LCSC	C104700		
3100K		R13,R6	RE_1206	2			Digi-Key	311-100KFRCT-ND		C102062
4100n		C1,C2,C5,C7	CA_1206	4			LCSC	C1945	1276-1017-1-ND	
5RV-3028-C7		U2	SC_RV-3028-C7	1	RV-3028-C7 32.768KHZ 1PPM-TA-QC	Micro Crystal AG	Digi-Key	2195-RV-3028-C732.768KHZ1PPM-TA-QCCT-ND		
6TPL5110		U3	SC_SOT23-6	1	TPL5110DDCT	Texas Instruments	Digi-Key	296-38830-1-ND		
748102SC		L1,L2	CL_STD1212	2	48102SC	Murata Power Solutions Inc.	Digi-Key	811-3598-1-ND		
8L135-L567L00000001		D1,D2	DI_LED_LUXEON_3535L	2	L135-L567L00000001	Lumileds	Digi-Key	1416-1440-1-ND		
922P		C4	CA_1206	1			Digi-Key	732-7867-1-ND		
10SI3401A		Q3	SC_SOT23-3	1	AO3401A	Alpha & Omega Semicon	LCSC	C15127		
11BSS806NH6327XTSA1Q2			SC_SOT23-3	1	BSS806NH6327XTSA1	Infineon Technologies	Digi-Key	BSS806NH6327XTSA1CT-ND		
12PTS120660V005		FU1	RE_1206	1	PTS120660V005	Eaton - Electronics Division	Digi-Key	283-3132-1-ND		
13	3035	CN1	CN_BAT_CLIP_CR2032_KEYSTONE_3035	1		3035 Keystone Electronics	Digi-Key	36-3035-ND		
1474LVC1G123DP,125		U5	SC_TSSOP8	1	74LVC1G123DP,125	Nexperia	Digi-Key	1727-2238-1-ND		
150E/1206		R10,R11,R4,R15,R16,R8,R17	RE_1206	7	RC1206FR-070RL	Yageo	Digi-Key	YAG3367CT-ND		
166n8		C6	CA_1206	1			LCSC	C1879	1276-1775-1-ND	
17BSS169		Q1	SC_SOT23-3	1			LCSC	C83053		
18FDV301N		Q5	SC_SOT23-3	1			LCSC	C15310		
1910U/6V3		C3	CA_1206	1			LCSC	C318761	399-3029-1-ND	