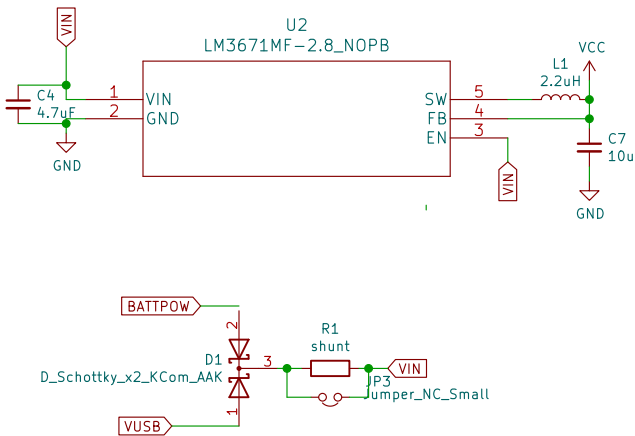
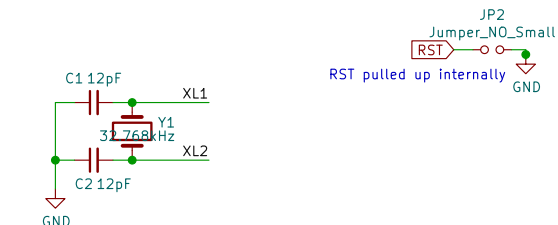
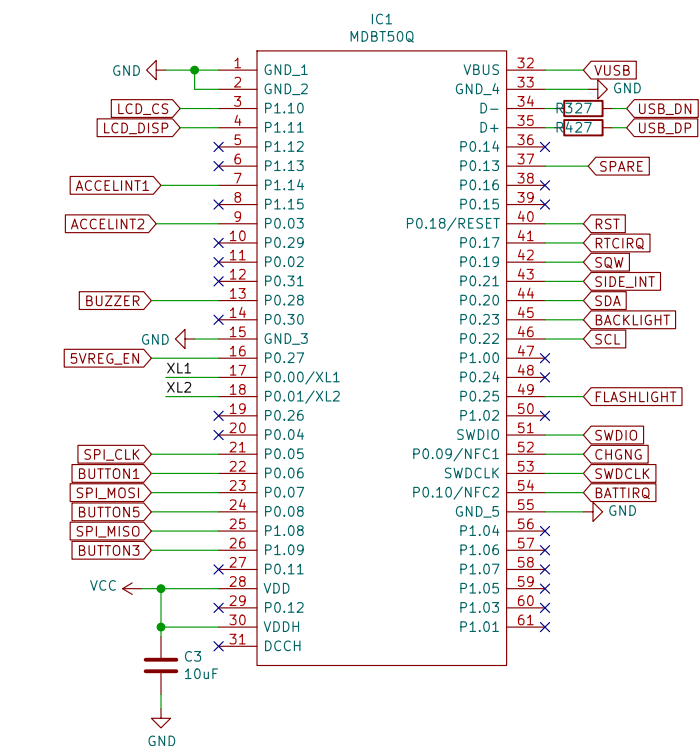


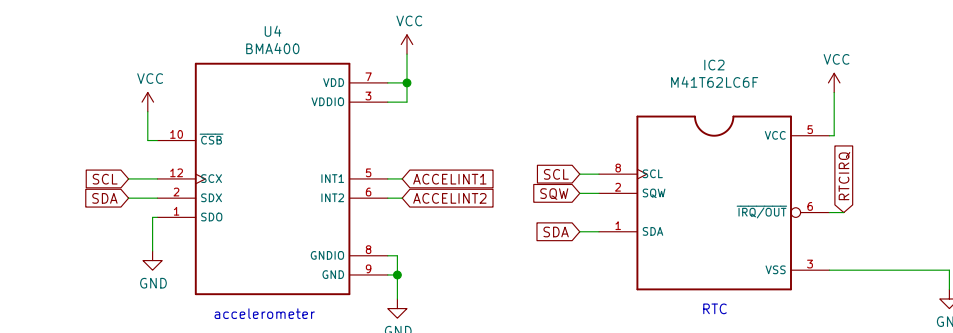
## USB



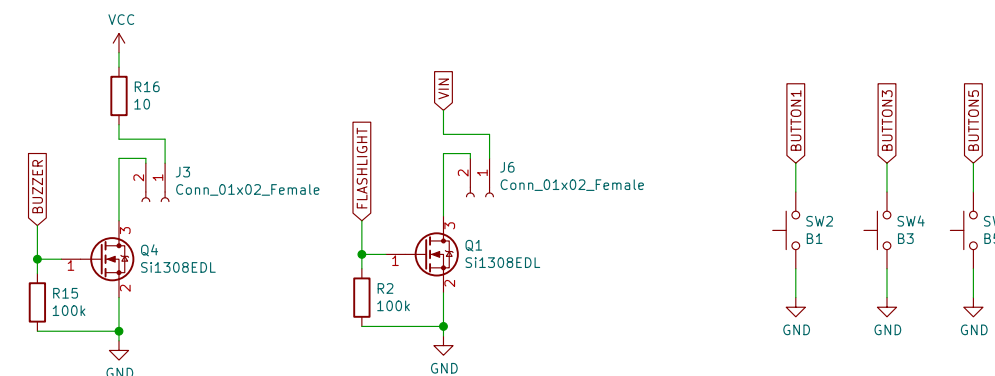
## Power and Battery



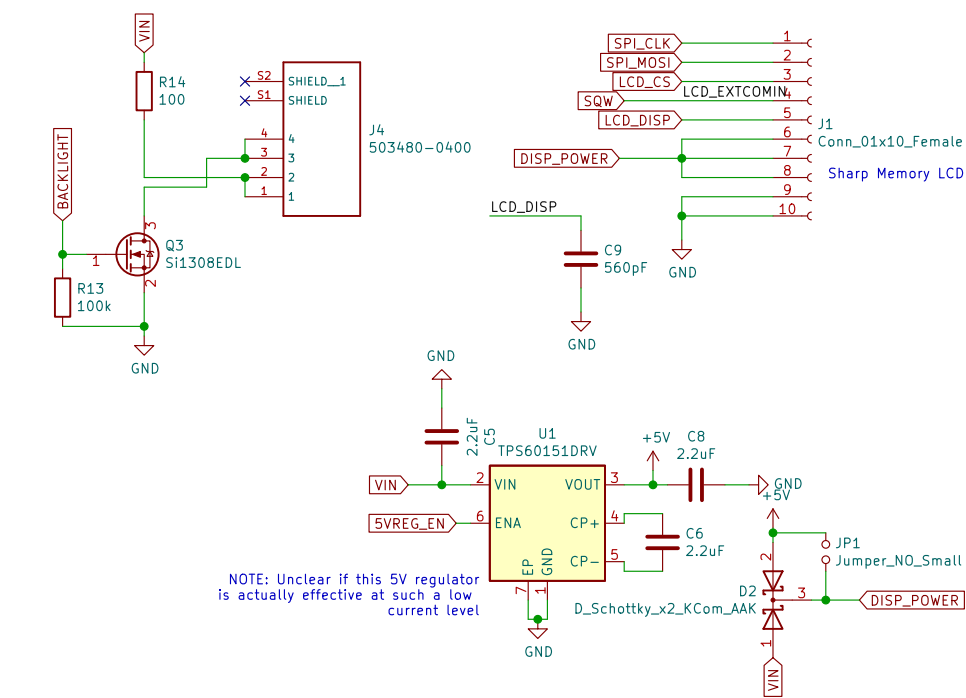
## nRF52840



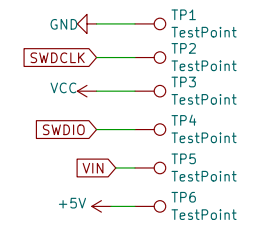
## Peripherals



## I/O



## Display and Backlight



## Test Points

nRF52840 Smartwatch		
<a href="https://hackaday.io/project/169967-nrf52-smartwatch">https://hackaday.io/project/169967-nrf52-smartwatch</a>		
Jeff Cooper - jeff@thejeffcooper.com - Pittsburgh, PA		
Sheet: /	File: mk2.kicad_sch	
<b>Title:</b>		
Size: A3	Date:	Rev:
KiCad E.D.A. kicad (6.0.4)		Id: 1/1