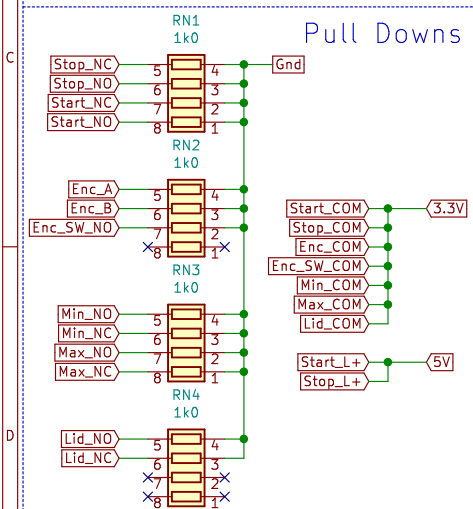
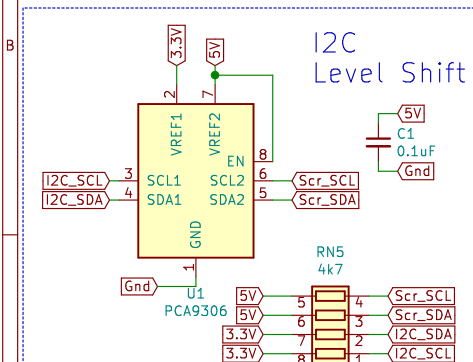
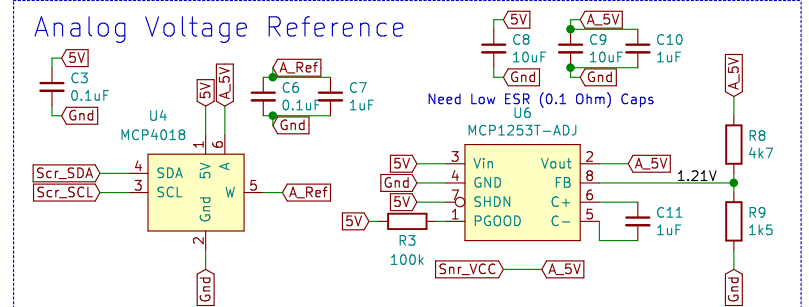
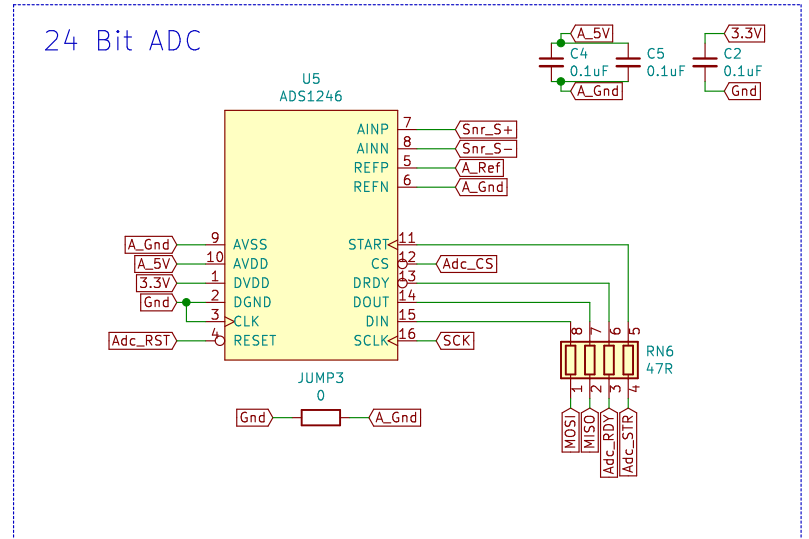
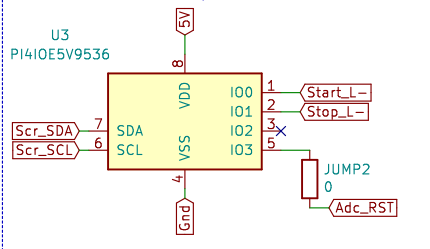


### Connectors

Sheet: Connectors  
File: Connectors.sch



### I2C GPIO Expander



Main Outline

**Victoria 3D**

Sheet: /

File: TestBoard.sch

**Title: Bridge Crusher V2**

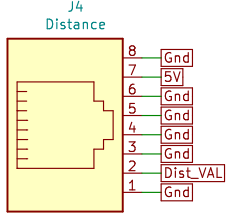
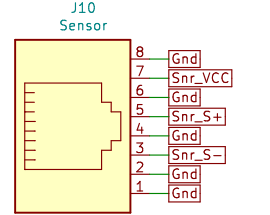
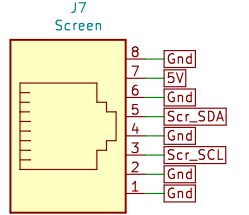
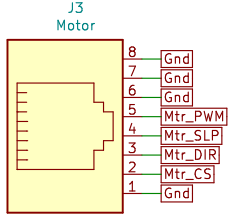
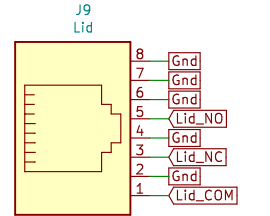
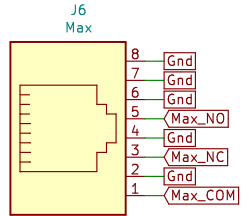
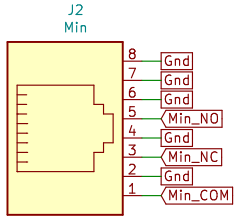
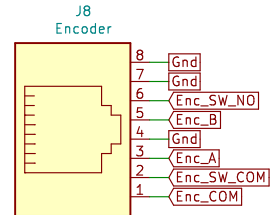
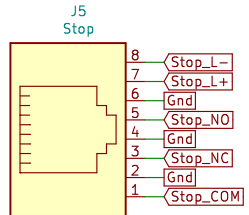
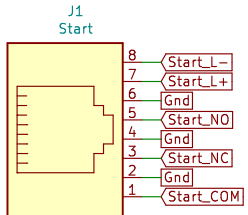
Size: A4

Date:

Rev: 0

KiCad E.D.A. kicad (5.0.2)-1

Id: 1/2



RJ45 Connectors

**Victoria 3D**

Sheet: /Connectors/  
File: Connectors.sch

**Title: Bridge Crusher V2**

Size: A4	Date:	<b>Rev: 0</b>
KiCad E.D.A. kicad (5.0.2)-1		Id: 2/2