

32

16

8

4

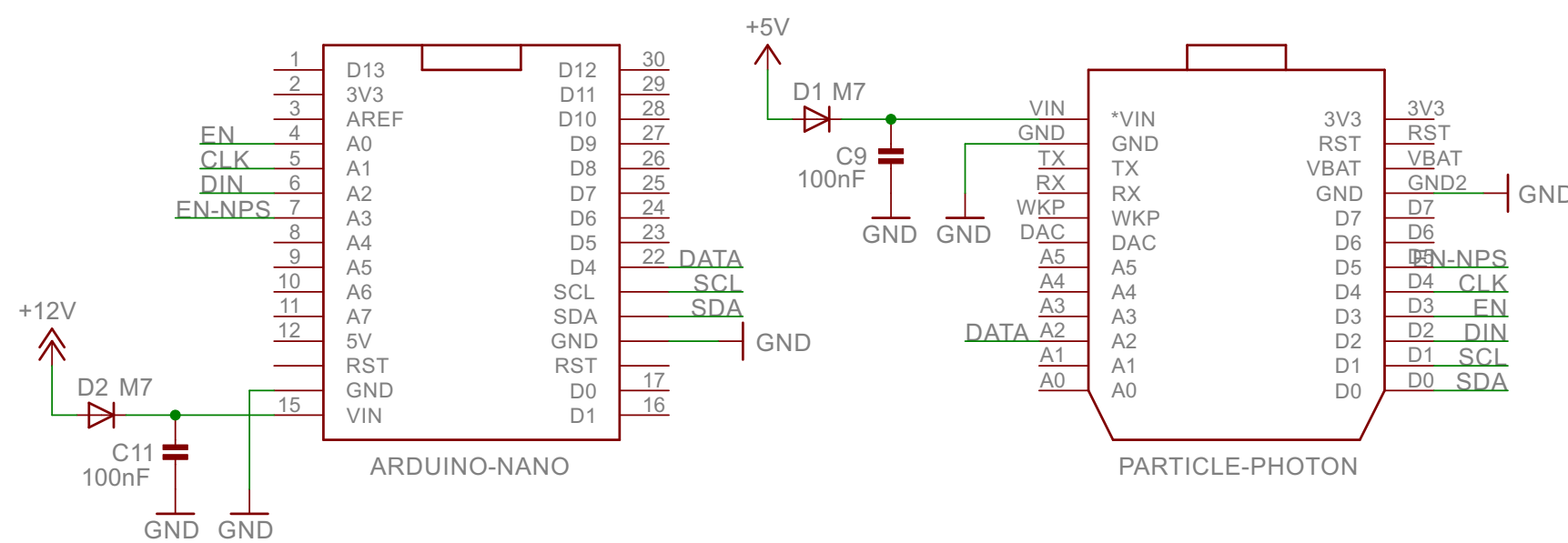
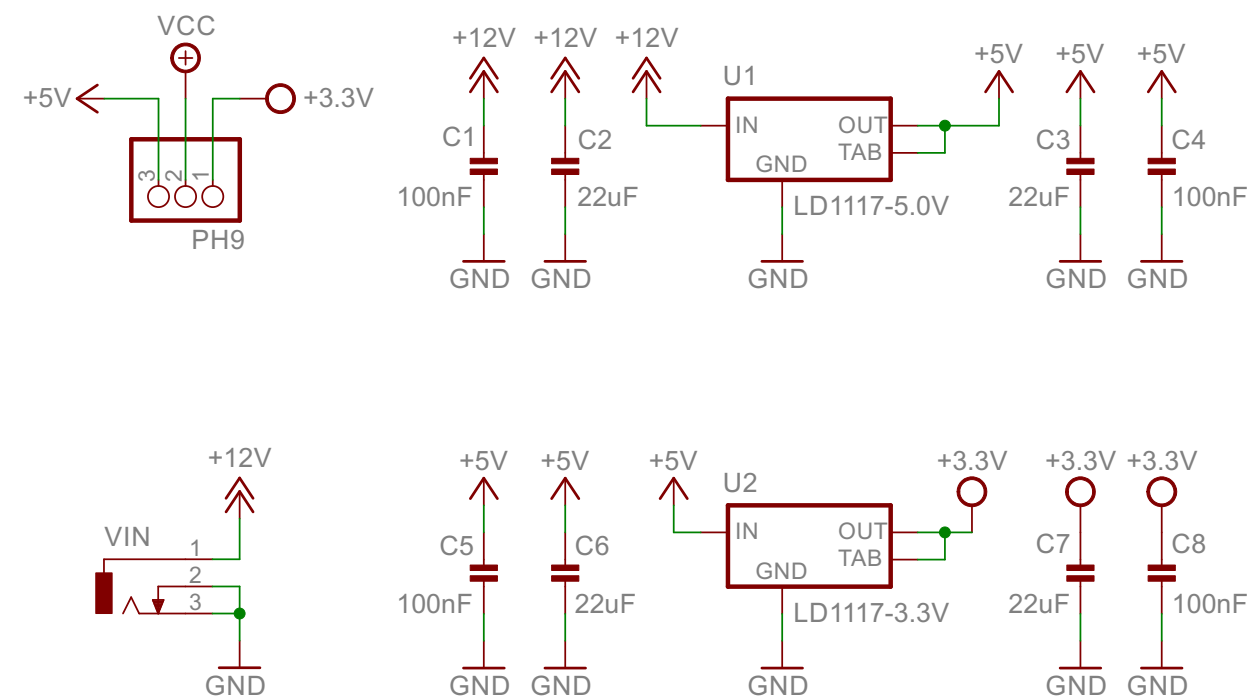
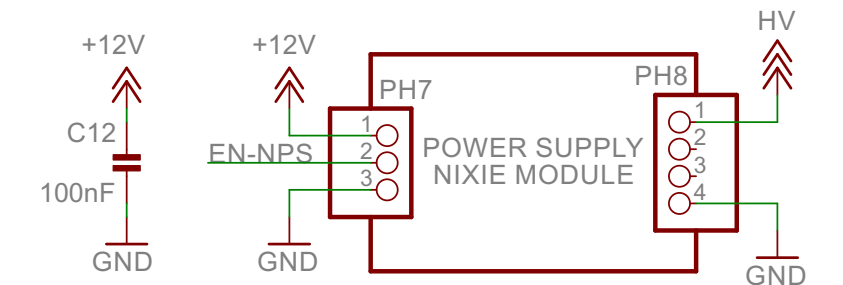
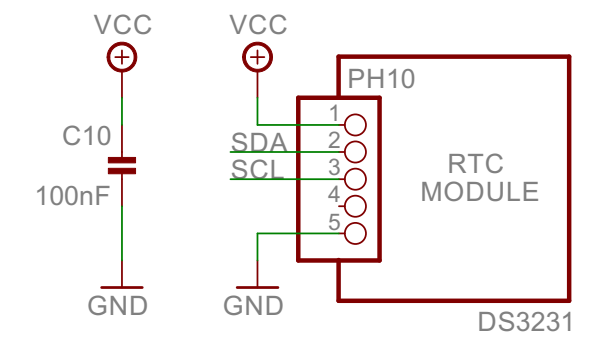
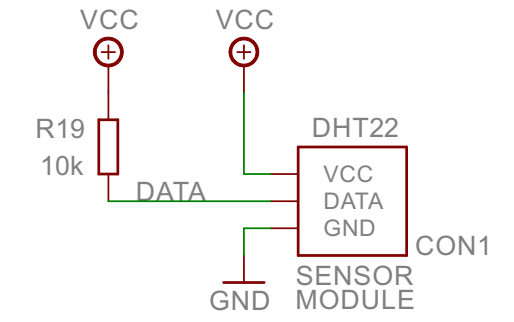
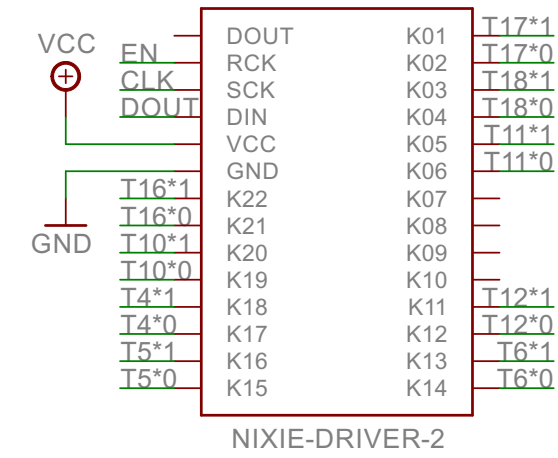
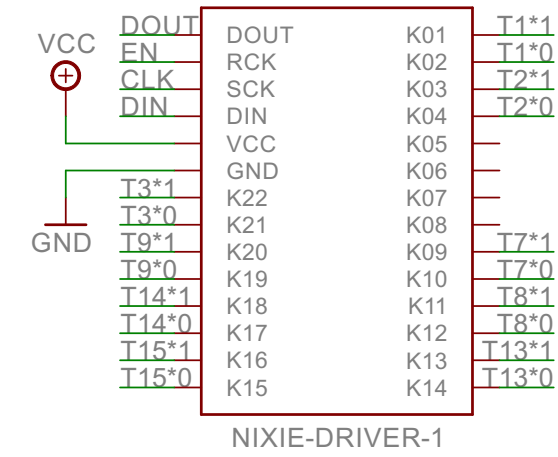
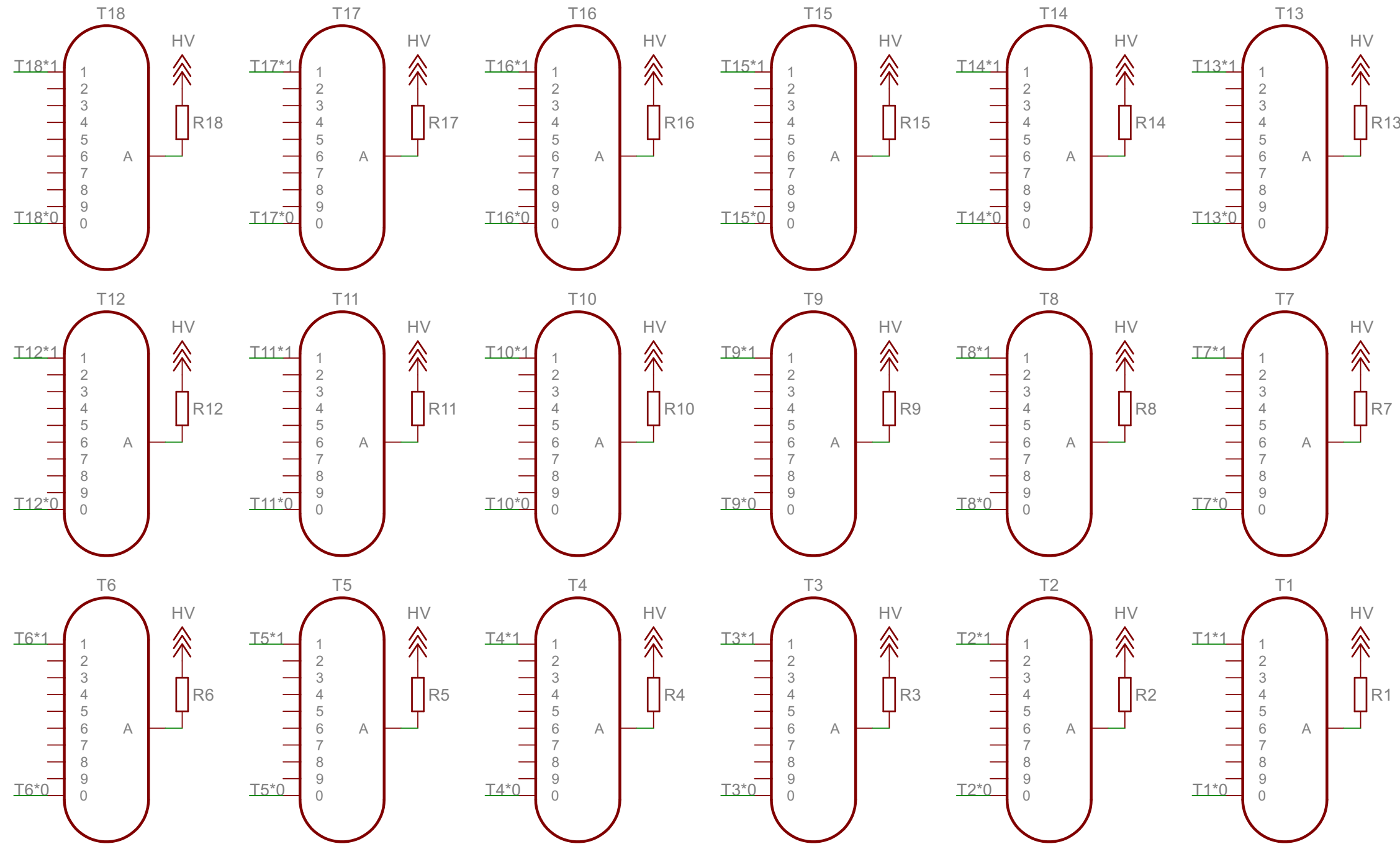
2

1

H

M

S



IN-2 BINARY NIXIE CLOCK		
CAUTION!	ARDUINO NANO	
HIGH VOLTAGE 170V	PARTICLE PHOTON	
WWW.NIXIESTER.COM	Design: Marcin Saj	
Date: 2 January 2020	Sheet: 1/1	V1