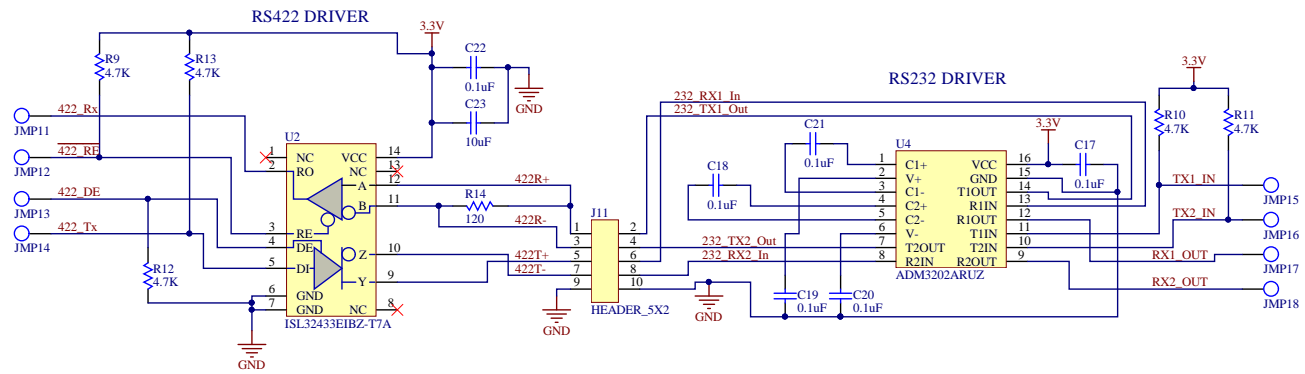


Jumper	GPIO	Alt	Comment
JMP1	1-2	2-3	XOSC32K/GPIO
JMP2	1-2	2-3	XOSC32K/GPIO
JMP3	1-2		USB/GPIO
JMP4	1-2		USB/GPIO
JMP5	1-2	2-3	XOSC/GPIO
JMP6	1-2	2-3	XOSC/GPIO
JMP8		PAx	Tie VBUS Detect to PA signal used by USB library.
JMP9		GND	USB ID signal Gnd or other.
JMP8 - JMP10			Tie VBUS TO 5V INPUT

Title			
Size			1.0
B	Number	Revision	
Date:	2/19/2020	Sheet 1 of 1	
File:	C:\Bob\SmallPi1 SchDoc	Drawn By: Bob Harbour	



Title		
SmallPi Raspi Simulator Board		
Size	Number	Revision
B		1.0
Date:	2/19/2020	Sheet2 of 2
File:	C:\Bob\SmallPi2 Sch.Doc	Drawn By: Bob Harbour