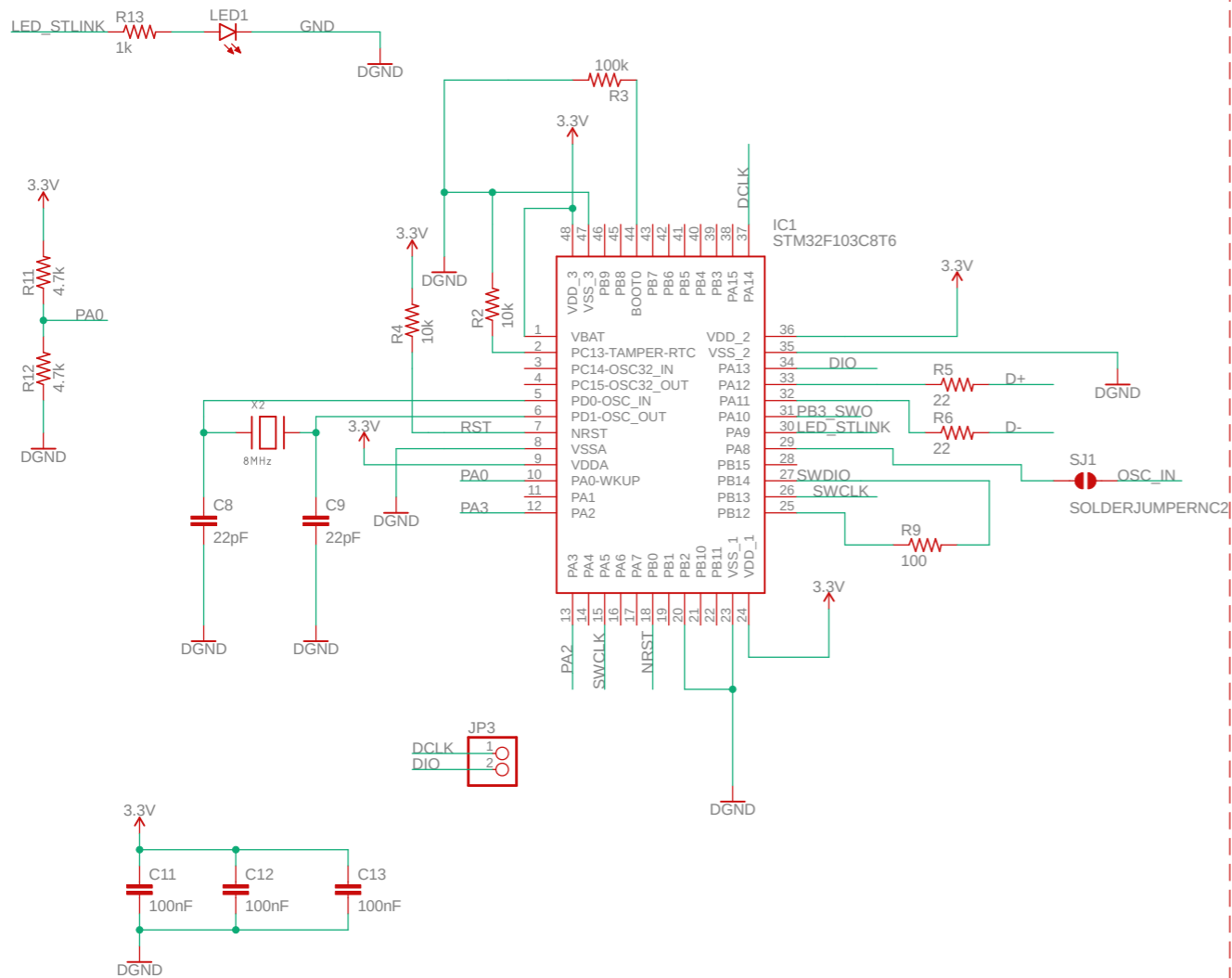
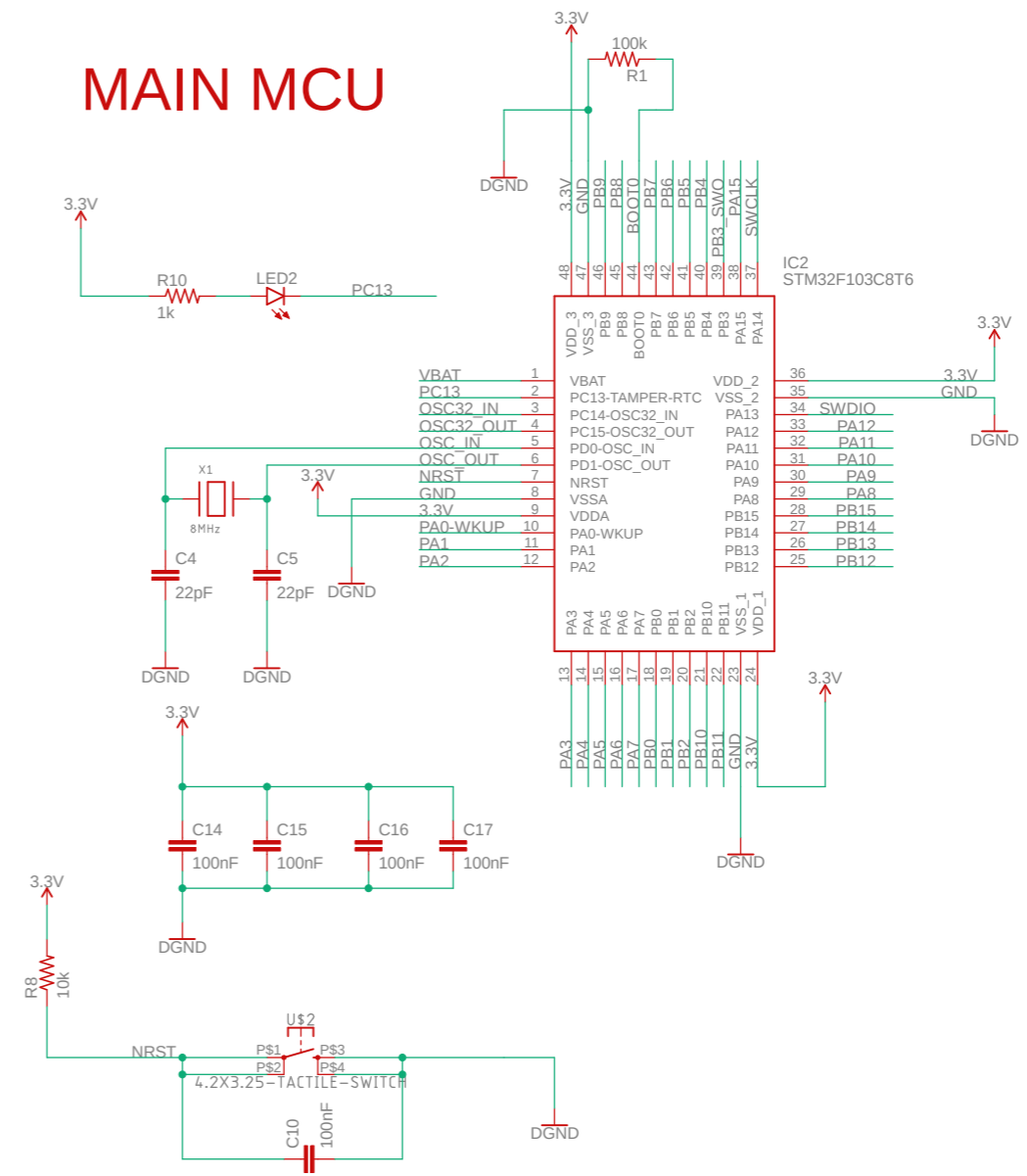


STLINK V2.1

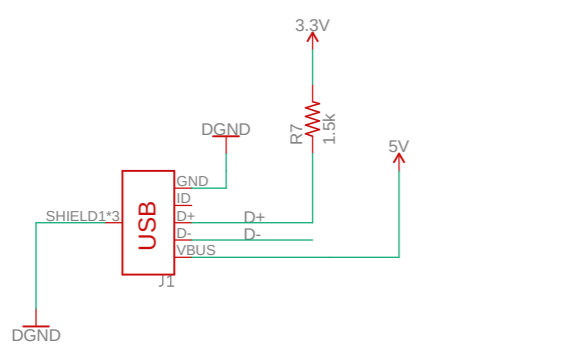


MAIN MCU

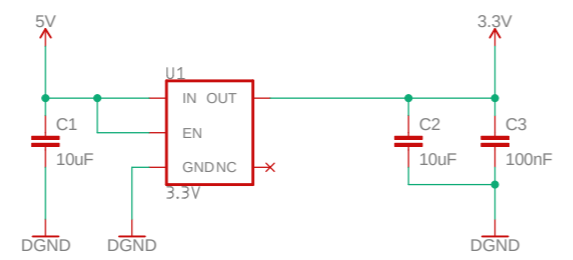


- Compatible MCU:
 * STM32F303CC
 * STM32F303CB
 * STM32F103CB
 * STM32F103C8
 * STM32L151C8
 * STM32F072C8

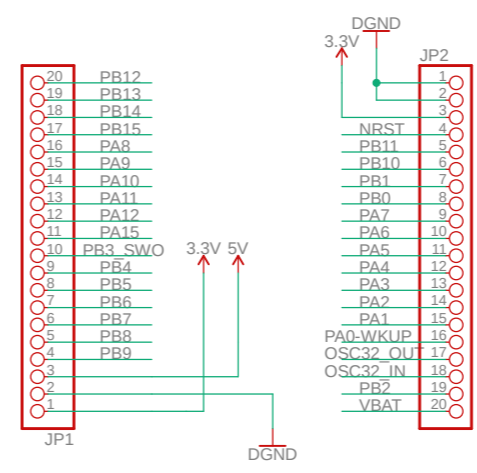
MICRO USB



POWER REGULATOR



PINOUT



TITLE: speedy	
Document Number:	REV: 1.0
Date: 3/7/2020 5:32 PM	Sheet: 1/1