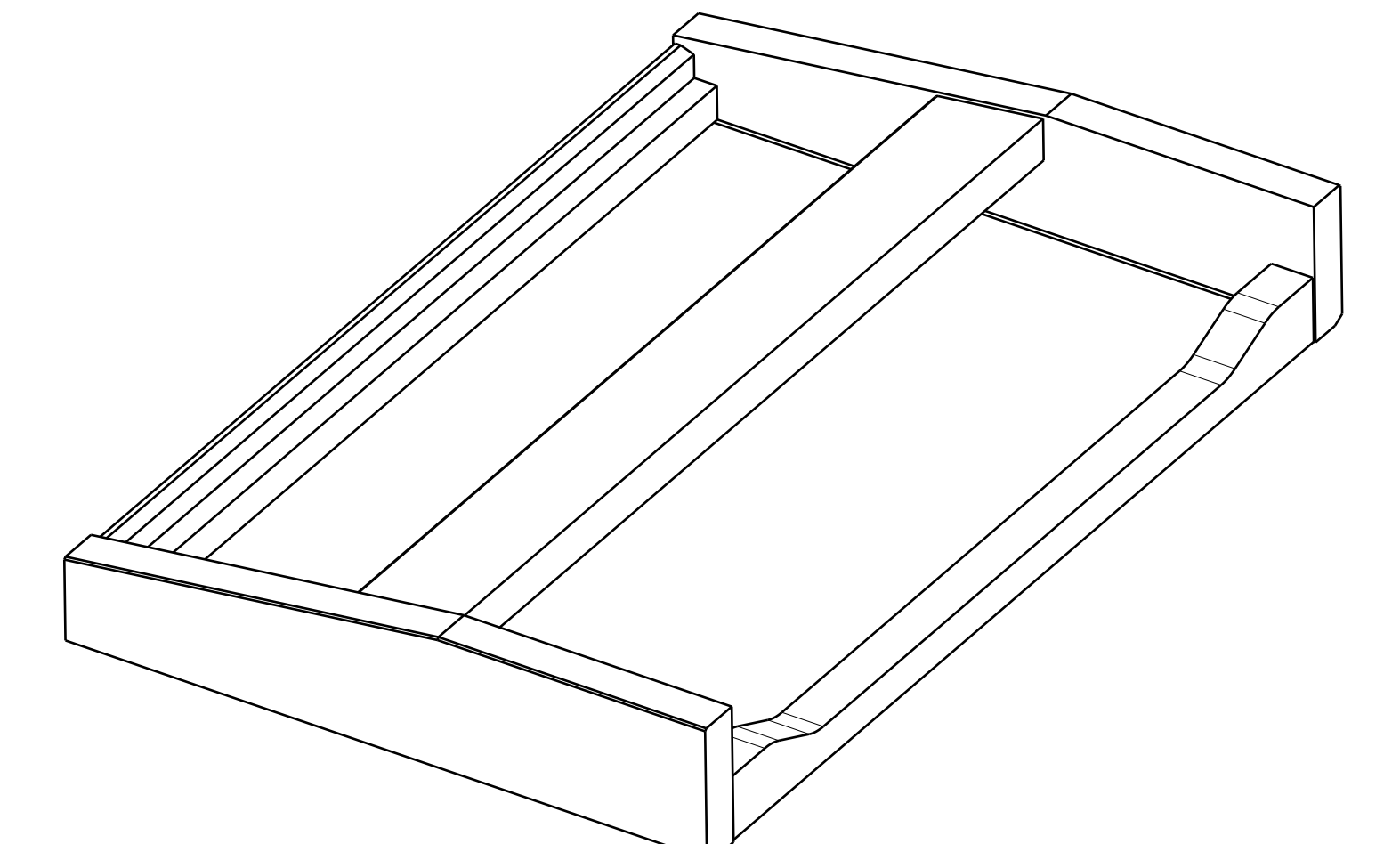
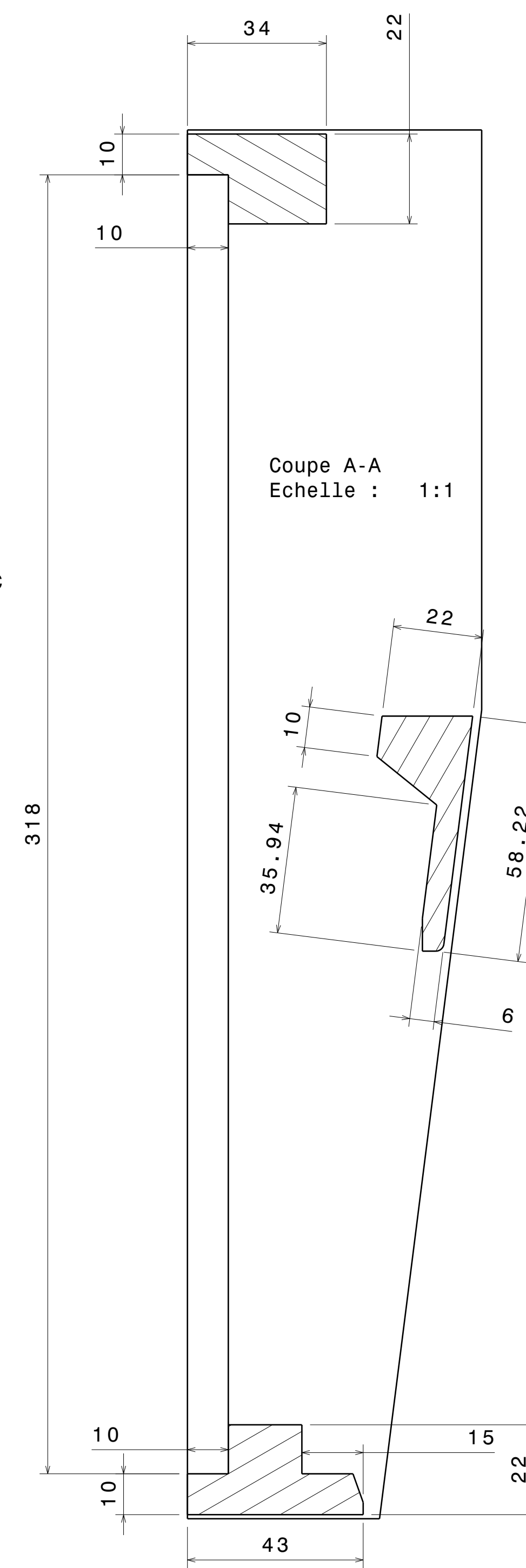
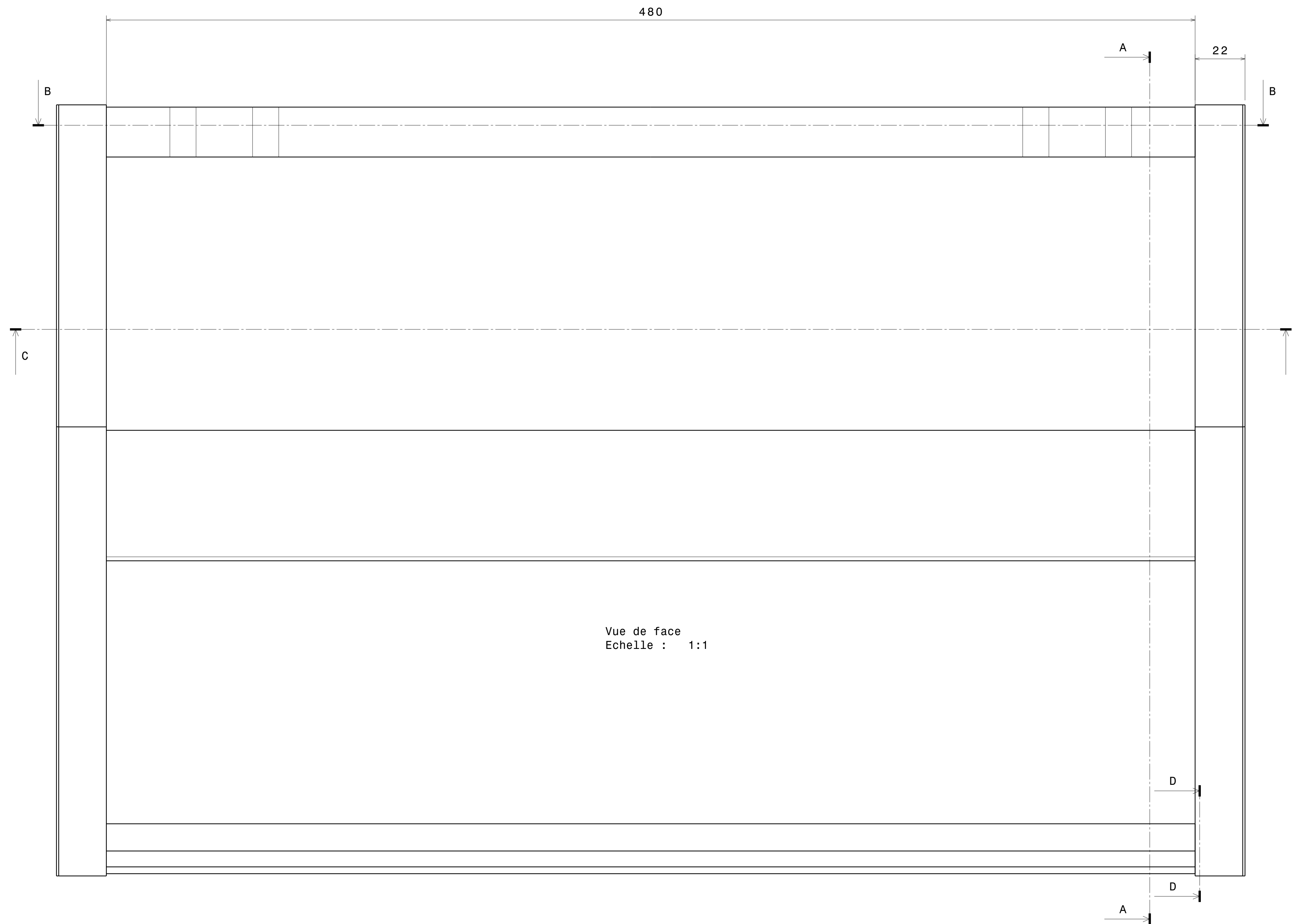
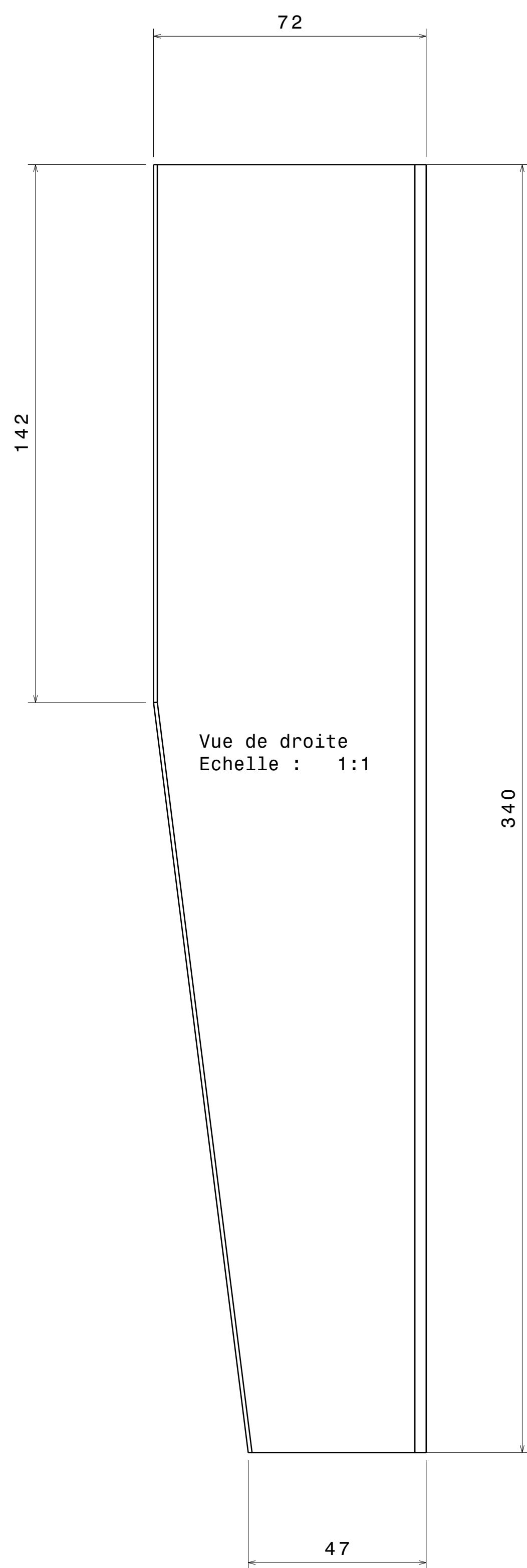
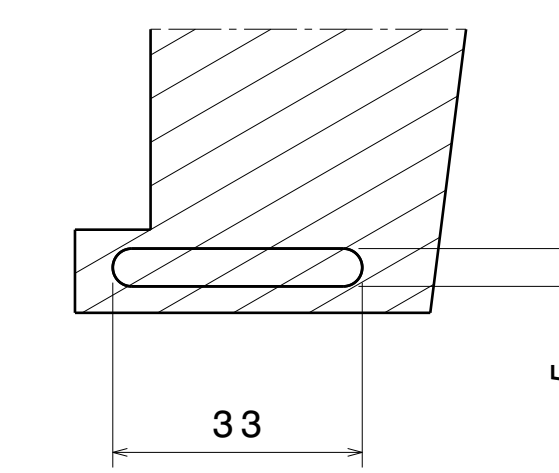


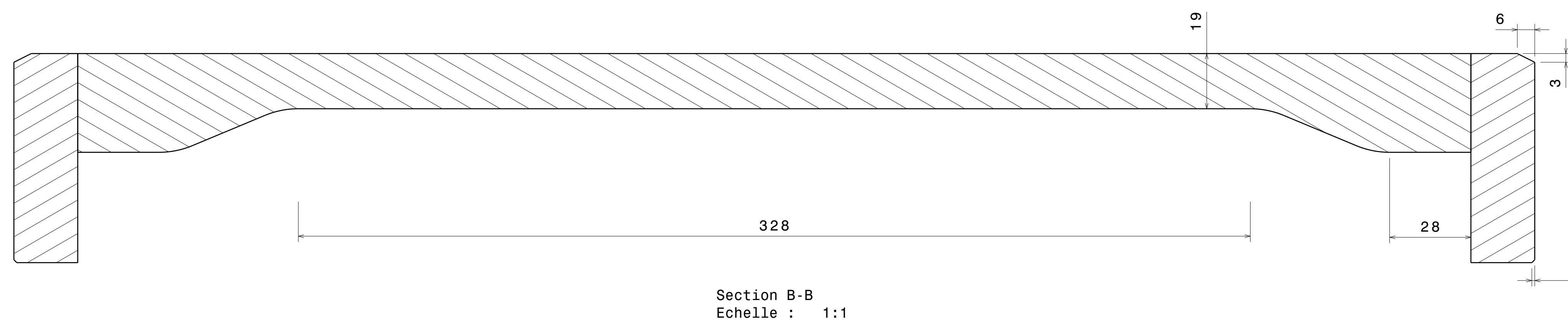
Vue isométrique  
Echelle : 1:3



Vue isométrique  
Echelle : 1:3



Section D-D  
Echelle : 1:1



Section B-B  
Echelle : 1:1

Note : the dimensions ported on this drawing are those of the synth I build, which were constrained by the wood I had at hand, and the tools I used.  
An extra 20-30mm in height would be much more comfortable to integrate every components.  
Similarly, adding at least 30-40mm in length would left more room for controls on the panel.