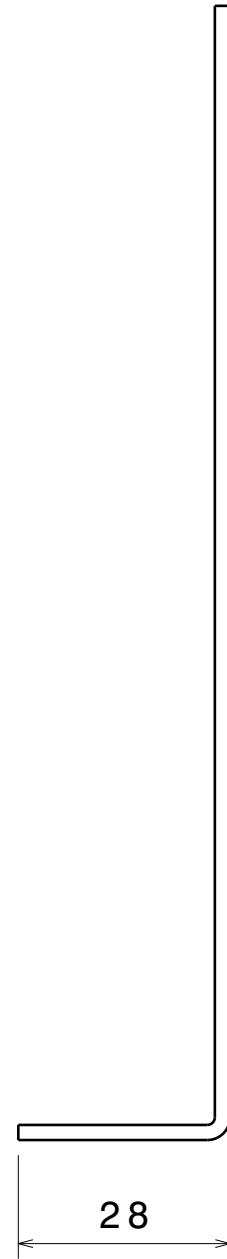
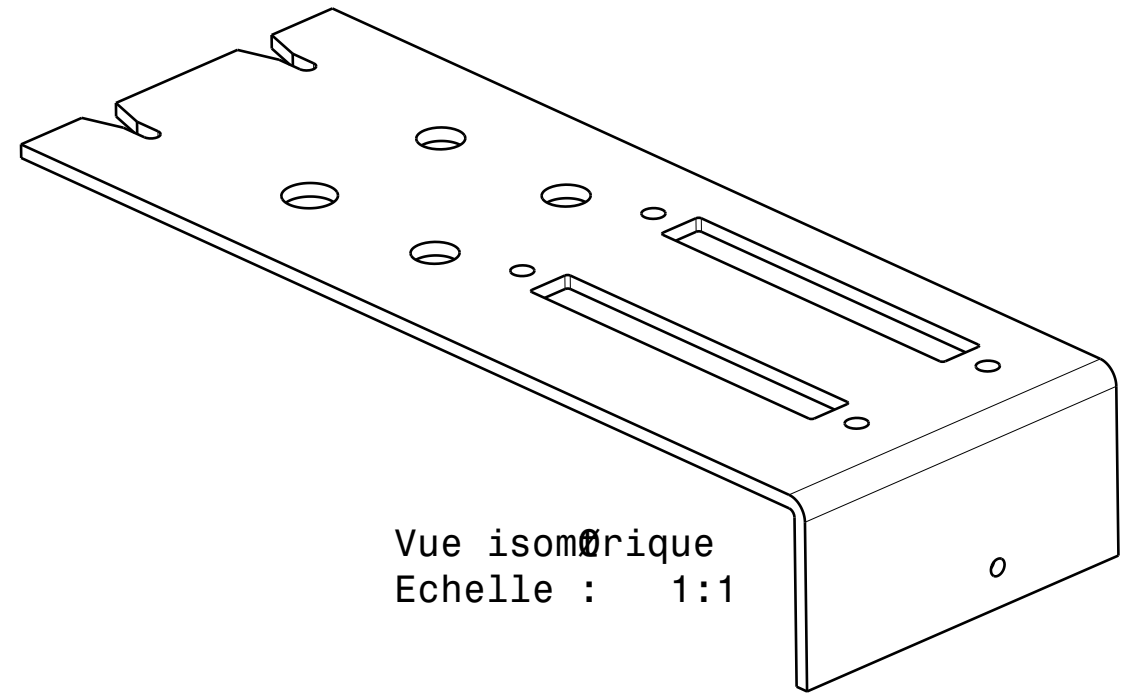


Vue de face
Echelle : 1:1



Vue de gauche
Echelle : 1:1



Vue isométrique
Echelle : 1:1

Note : The two wheels are not aligned on the switches and the potentiometer, because the panel is not large enough for the wheels pots. Here again, being larger would be great.