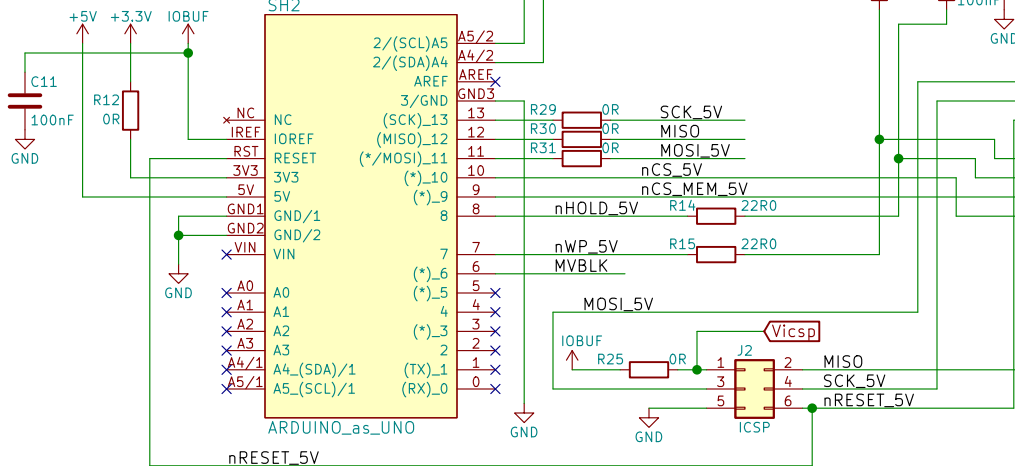
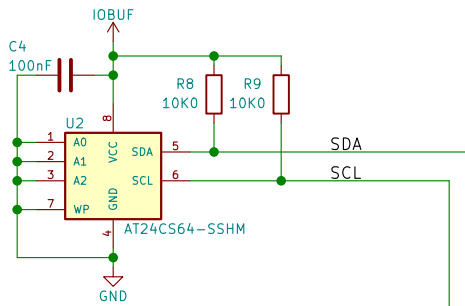
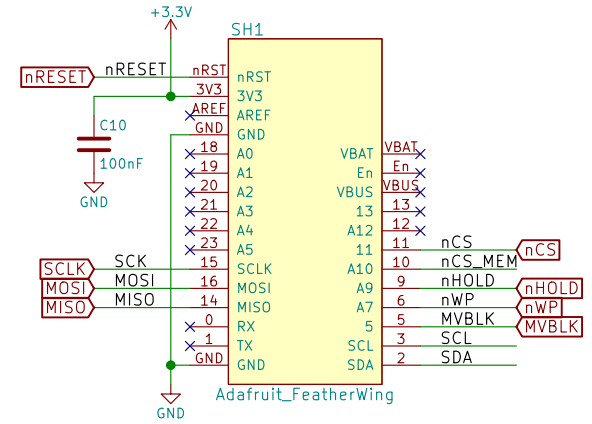
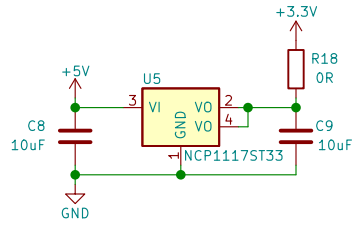


LED???
 U5 with enable when 5V Arduino connected.



Created by Wolfgang Friedrich
 Pier42 Design

This work is licensed under
Creative Commons Attribution-ShareAlike 4.0 International License

Sheet: /IO/
 File: P42-VGA-IO_ver2.sch

Title: VGA Shield-Wing

Size: USLetter Date: 2019-04-28
 KiCad E.D.A. kicad (5.1.7)-1

Rev: 1
 Id: 2/2

