

Created by Wolfgang Friedrich
Pier42 Design

This work is licensed under
Creative Commons Attribution-ShareAlike 4.0 International License

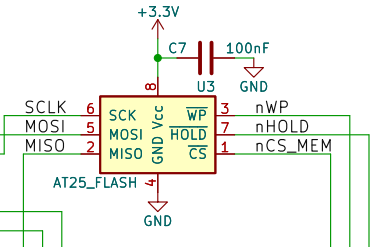
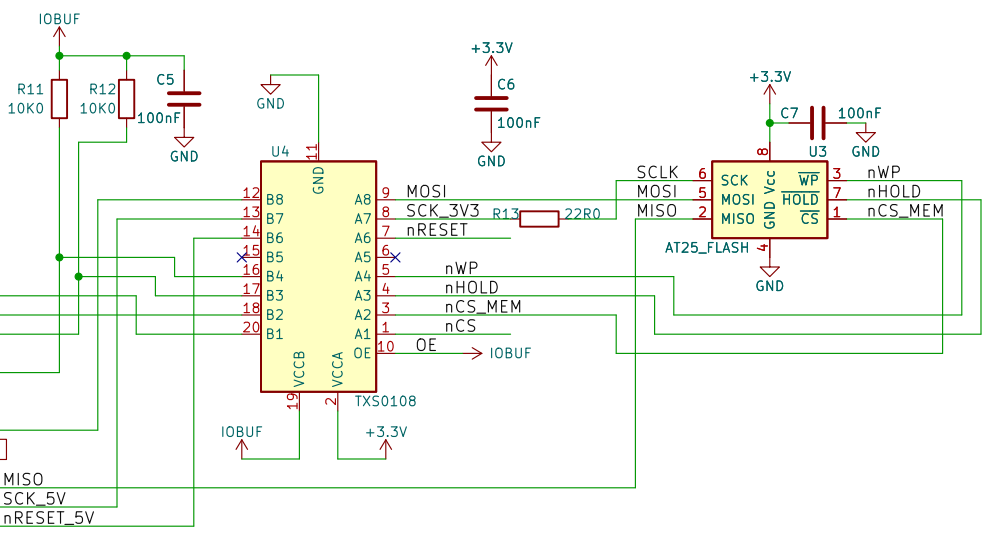
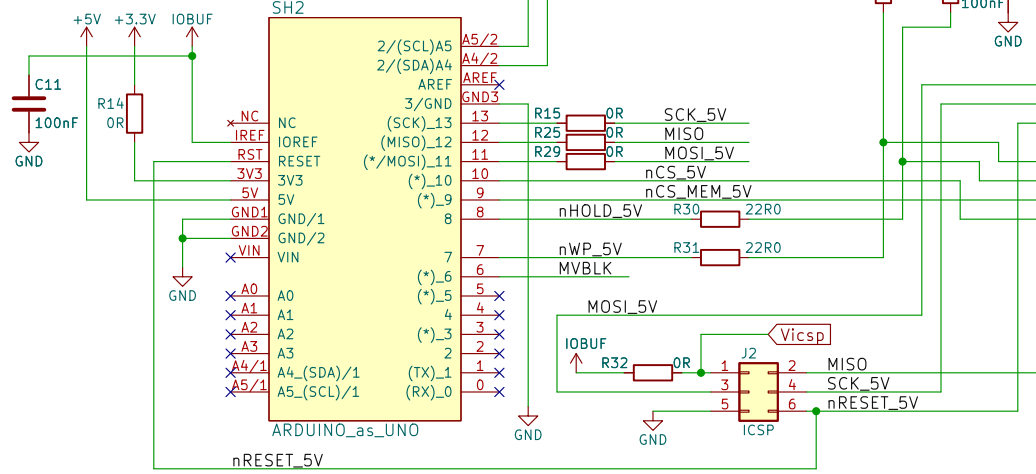
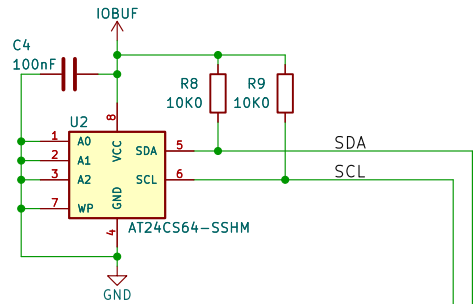
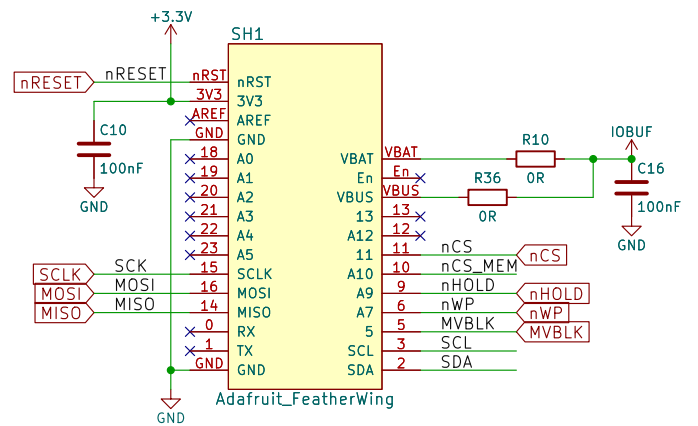
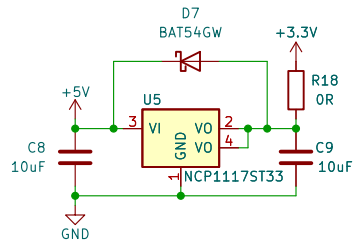


Sheet: /
File: P42-VGA_ver4.kicad_sch

Title: VGA Shield-Wing

Size: USLetter | Date: 2022-11-06
KiCad E.D.A. kicad (6.0.7)

Rev: 4
Id: 1/2



Created by Wolfgang Friedrich
Pier42 Design

This work is licensed under
Creative Commons Attribution-ShareAlike 4.0 International License 

Sheet: /IO/
File: P42-VGA-IO_ver4.kicad_sch

Title: VGA Shield-Wing

| | | |
|----------------------------|------------------|---------|
| Size: USLetter | Date: 2022-11-06 | Rev: 4 |
| KiCad E.D.A. kicad (6.0.7) | | Id: 2/2 |

