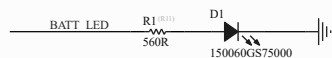
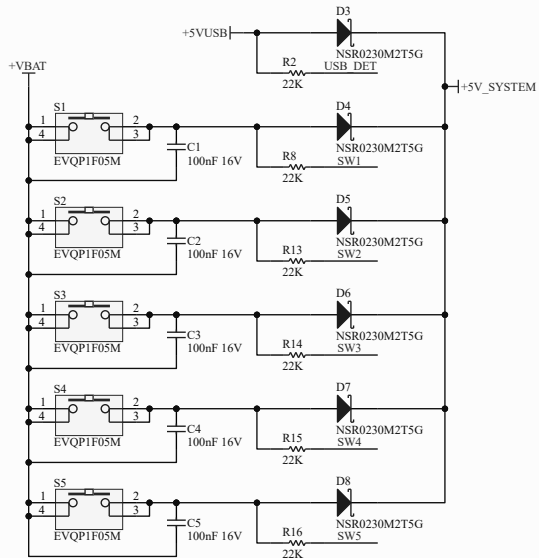


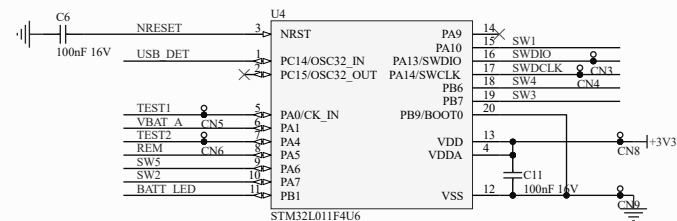
### LOW-BATT LED



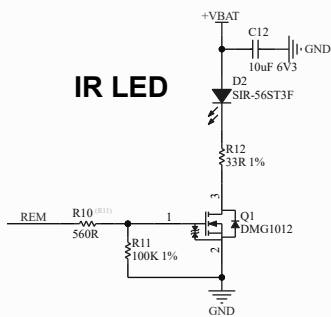
### BUTTONS



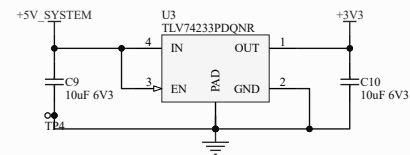
### MCU



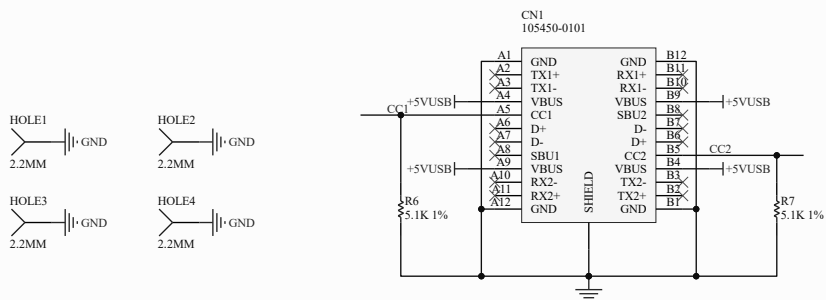
### IR LED



### LDO



### USB-C



### LI-PO CHARGER

